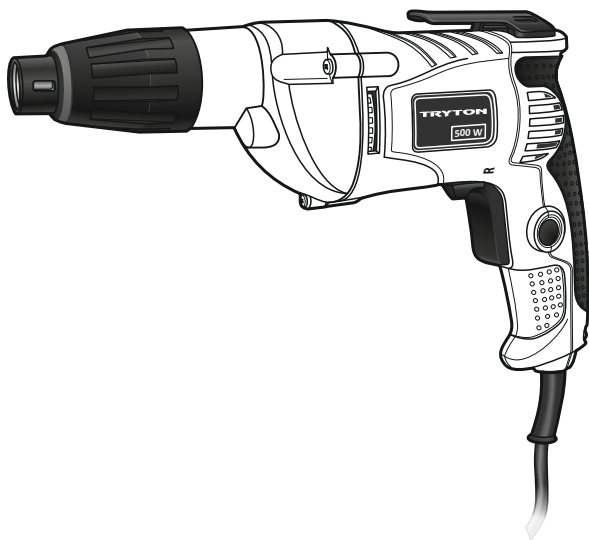


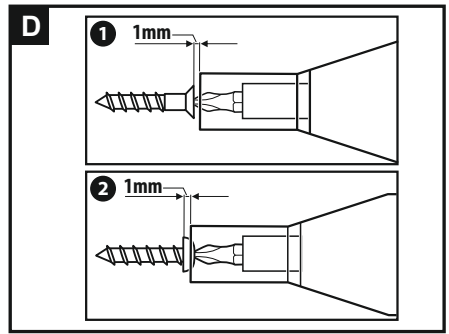
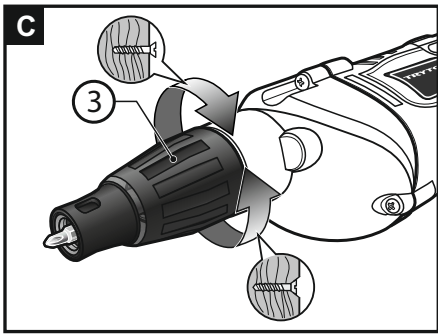
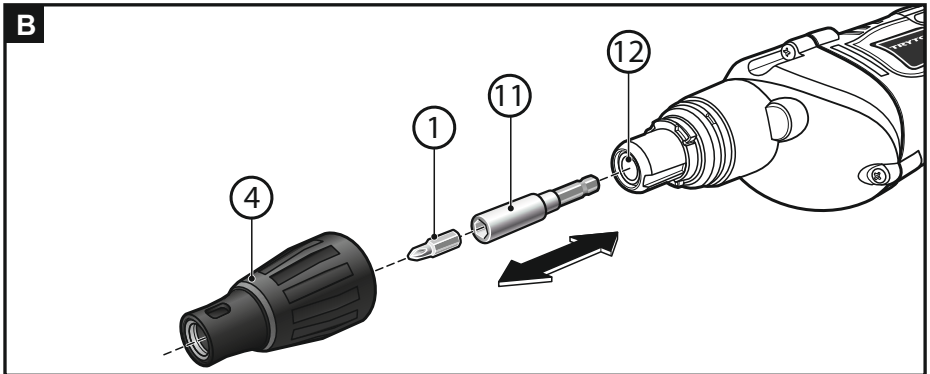
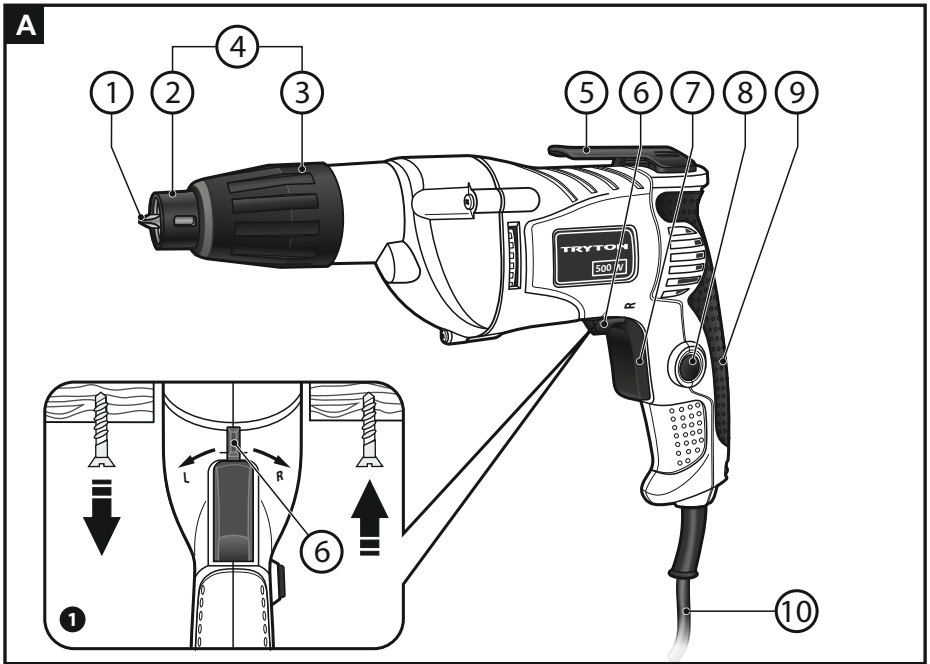
TRYTON

ELEKTRONARZĘDZIA



TMGK500

GB	Operating instruction	ELECTRIC SCREWDRIVER	3
PL	Oryginalna instrukcja obsługi	WKRĘTARKA ELEKTRYCZNA	7
RU	Инструкция по эксплуатации	ЭЛЕКТРИЧЕСКИЙ ШУРУПОВЁРТ.....	12
RO	Instrucții de folosire	ȘURUBELNIȚA ELECTRICĂ	17
LV	Lietošanas instrukcija	ELEKTRISKAIS SKRŪVGRIEZIS	21
CZ	Návod na obsluhu	ELEKTRICKÝ ŠROUBOVÁK	25
HU	Használati utasítások	ELEKTROMOS CSAVARHÚZÓ	29
LT	Naudojimo instrukcija	ELEKTRINIS ATSUKTUVAS	34






BEFORE YOU START USING THE MACHINE READ THOROUGHLY THIS MANUAL.

Keep this document for future reference.



WARNING! Read all safety warnings marked with a symbol  and all operating safety instructions.

To limit the risk of fire, electric shock and injury while using the device, follow all operating safety instructions and tips provided below.

Keep all work safety instructions and tips for future reference.

In warnings provided herein the expression "power tool" means a power tool powered from the mains (with a power cord) or a battery powered power tool (cordless).



WARNING! General work safety warnings for use of the tool.

Workplace safety:

- Keep your workplace tidy and well lit.** *Untidiness and bad lighting result in higher accident rate.*
- Do not use the power tool in explosive environments, created by flammable liquids, gases or dusts.** *The power tool generates sparks that can ignite dust or vapors.*
- Keep children and unauthorized persons away from the place where the power tools are used.** *Inattention may result in losing control over your power tool.*



WARNING! General warnings regarding the use of power tools.

Electric safety:

- Plugs used in power tools must match wall outlets. Never modify the plug of your power tool. Do not use any extension cables when operating a power tool with a grounding/earthing conductor (PE).** *Any modifications of plugs and outlets increase the risk of electric shock.*
- Avoid touching earthed surfaces or grounded items like pipes, heaters, central heating radiators and refrigerators.** *Touching earthed or grounded surfaces increases the risk of electric shock.*
- Do not expose your power tool to rain or damp environments.** *Water penetrating the tool increases the risk of electric shock.*
- Do not damage the power cord. Never use the power cord to carry, pull the power tool and do not pull by its power cord to disconnect plug from the outlet. Keep the power cord away from sources of heat, oils, sharp edges and moving parts.** *Damaged or entangled power cords increase the risk of electric shock.*
- When your power tool is operated outdoors use extension cords intended for outdoor use only. Using an extension cable intended for outdoor use decreases the risk of electric shock.
- It is recommended to connect the device to a mains supply equipped with a residual current device (RCD) with a rated current of 30 mA or less.**
- When it is unavoidable to use your power tool in a damp environment use an RCD (Residual Current Device) for protection.** *The use of RCDs decreases the risk of electric shock.*



WARNING! General warnings regarding the use of power tools.

Personal safety:

- This equipment is not intended for use by persons (including children) disabled physically, mentally, sensorial or persons with no experience and knowledge in operating the equipment unless they operate the equipment under supervision or follow user's instructions provided by persons responsible for their safety.**
- It is necessary to predict steps, watch and keep common sense when using power tools. Do not operate power tools when you are tired, under influence of drugs, medicine or alcohol.** *A moment of inattention while operating a power tool may result in serious personal injury.*
- Use personal protective equipment (PPE).** *Always wear safety goggles. Wearing personal protective equipment (PPE) including a dust mask, anti-slippery footwear, a helmet and ear protection reduces personal injury.*
- Avoid unexpected start up. Before connecting your power tool to the mains and/or inserting a battery make sure its power switch is in off position.** *Carrying your power tool with a finger on its power switch or without disconnecting it from the mains (switched on) may result in an accident.*
- Before starting your power tool remove any keys/wrenches.** *Leaving a key/wrench in the rotating part of your power tool may result in personal injury.*
- Do not lean forward too far. Always remain stable and maintain balance.** *It will allow you to have a better control over your power tool in unpredictable situations.*
- Wear appropriate clothing. Do not wear loose clothes or jewelry. Keep your hair tied. Keep your clothes away from moving parts.** *Loose clothes, jewelry or long hair may be caught by moving parts.*
- If your power tool allows for using an external dust extraction or collection system, make sure it is connected and used properly. Using dust collectors may reduce dust affected risks.**



WARNING! General warnings regarding the use of power tools.

Use and taking care of your power tool:

- Do not overload your power tool. Use a power tool with power adjusted to work being done.** *An appropriately chosen power tool will allow you to work better and safer under load it has been designed for.*
- Do not use a power tool when its power switch is out of order (it does not switch it on or off).** *Any power tool with its power switch out of order is dangerous and must be repaired.*
- Always disconnect the plug from the power source and/or disconnect its battery before changing any settings, performing replacement or storage.** *Such preventive measures reduce the risk of accidental power tool start up.*
- Keep your power tool out of reach of children and do not allow unauthorized persons to use the power tool.** *Power tools in hands of untrained persons can be dangerous.*

- e) **Power tools require maintenance.** Check power tools for concentricity or jamming of moving parts, any cracks and all other factors affecting the power tool work safety. If any damage to the power tool is detected, it should be repaired before use. *Improper power tool maintenance is a reason for many accidents.*
- f) **Cutting tools should be sharp and clean.** Keeping sharp cutting edges in good condition reduces the risk of jamming and facilitates operation.
- g) **Power tools, equipment, working tools etc. should be used according to this user's manual taking into account operating conditions and the work to be done.** *Misusing a power tool can result in dangerous situations.*
- h) **At low temperatures and after a long brakes in operation it is recommended to turn the power tool to operate it with no load for a few minutes to provide proper grease distribution inside its driving mechanism.**
- i) **Use soft, damp (cannot be wet) cloth and soap to clean power tools. Do not use petrol, solvents and other agents that may damage your equipment.**
- j) **Power tools can be stored/carried after making sure that all moving components are locked and protected against release with original devices intended for this purpose.**
- k) **Store power tools in a dry, dust and water-protected place.**
- l) **Carry your power tool in its original packaging to provide protection against mechanical damage.**



WARNING! General warnings regarding the use of power tools.

Repair:

- a) **Warranty and post-warranty repairs of its power tools are carried out by PROFIX Service, which guarantees the best quality or repair and use of genuine spare parts.**



WARNING! ELECTRIC SCREWDRIVER, security warnings

Personal Safety:

- a) **Always wear ear protectors when operating the driver.** *Exposure to noise can cause hearing loss.*
- b) **During operations when a screw can damage electric wires, hold the power tool by the insulated part of its handle.** *Cutting accessory contacting a "live" wire may make exposed metal parts of the power tool "live" and could give the operator an electric shock.*
- c) **Use appropriate detectors to determine if utility lines are hidden in the work area or call the local utility company for assistance.** *Contact with electric lines can lead to fire and electric shock. Damaging a gas line can lead to explosion. Penetrating a water line causes property damage or may cause an electric shock.*
- d) **Protect the object machined.** *Make sure all clamps are closed and check for excessive clearance. It is safer to fix the object machined in a fixing device or a vice than holding it in your hand.*
- e) **Hold the power tool tightly.** *During driving and loosening of screws, short moments of strong movements in reaction to this action may occur.*
- f) **Before you put the power tool aside make sure it is completely stopped.** *The bit can jam resulting in losing control over the power tool.*

- g) **Never use a tool with damaged cord. Do not touch a damaged cord; if the cord becomes damaged during work, take out the plug from the power socket.** *Damaged cords increase the risk of electric shock.*

ATTENTION! If a permanently fixed power cord becomes damaged, it must be replaced with a special cable or assembly available at the manufacturer's or at a specialized repair service point.

APPLICATIONS AND CONSTRUCTION:

The electric screwdriver is a hand-held power tool driven by a single-phase commutator-type motor. This is Class II equipment (double insulation).

The electric driver is designed for driving and removing screws when installing dry-wall systems (plasterboard walls), soft wood, plastics, etc. The combo drill and driver is designed exclusively for DIY applications.

The tool must not be used for work requiring a professional tool. Any use of the device that is not in observance with the above-mentioned purpose is forbidden, leads to the loss of warranty, and relieves the manufacturer from responsibility for the resulting damage.

Any modifications of the tool by the user relieve the manufacturer from responsibility for any damage and injuries to the user and the surroundings.

Despite using the tool according to its intended application it is impossible to eliminate certain residual risk factors. Considering the tool construction the following risks may occur when operating the tool:

- touching the rotating tool bit with a hand or by operator's clothes;
- burns when replacing a tool bit. (The tool bit heats up intensely during operation, use pliers and protective gloves to replace it);
- screw throw off.

■ **The set includes:**

- Electric screwdriver - 1 piece
- Driving depth limiter (stop) - 1 piece
- Transport box - 1 piece
- Operating instruction - 1 piece
- Warranty card - 1 piece

■ **Power tool components (see page 2):**

- Fig. A**
1. Driving bit*
 2. Driving limiter sleeve
 3. Depth limiter setting knob
 4. Driving depth limiter
 5. Belt clip
 6. Rotation direction selector
 7. On/off switch
 8. Switch lock
 9. Handle
 10. Power cord

Fig. B

11. Multi-purpose magnetic chuck*
12. ¼" chuck with a hexagonal tip

* **These accessories presented in figures or described herein are optional.**

TECHNICAL DATA:

Rated voltage	230 V
Rated frequency	50 Hz
Power consumption	500 W
No load speed	0-1600 rpm

Max screw/bolt diameter	6 mm (¼")
Equipment class	II/□
Weight	1,5 kg
Sound pressure level (LpA)	6 dB(A)
Sound power level (LWA)	97 dB(A)
Measuring tolerance LpA, LWA	3 dB(A)
Vibration level according to EN 60745-1 (measuring tolerance -1,5 m/s ²) driving with no impact a _h	2,32 m/s ²

The vibration level value given refers to basic application of the tool. If the tool is used for other applications or with other tools, or if it is not maintained properly, the vibration level may differ from the values given. The above-mentioned causes may lead to higher exposure to vibrations during the whole work time.

One must implement additional safety measures to protect the operators from exposure to vibrations, such as maintenance of the electric tool and work tools, assurance of proper hand temperature, or determination of the sequence of work operations.

BEFORE YOU START:

1. Make sure that the power supply parameters match the data plate parameters.
2. Make sure that the driver switch (7) is in off position and on/off switch lock (8) is released. Do not put the operating driver aside when the switch lock is on. To switch the lock off, press the button (7) again.
3. When using an extension cable make sure its parameters and wire cross sections match the driver parameters. Use the shortest extension cords possible. The extension cord used should be completely unfolded.

■ Replacing tool bits (Fig. B):

NOTE: Prior to any servicing or preparing the power tool for operation always make sure it is disconnected from the power supply.

To remove a tool bit (1) from the chuck, first remove the driving depth limiter (4) by sliding it forwards. Then, catch the bit with pliers and pull it out from the magnetic chuck (11). Swinging the pliers when pulling the bit out sometimes makes it easier to remove it. You can also remove and replace the multi-purpose chuck (11), if necessary.

■ Setting the rotation direction (Fig. A1)

NOTE: Use the rotation direction selector (6) when the power tool is off.

The rotation direction selector (6) can be used to change the power tool spindle direction. However, it is not possible when the switch (7) is pressed.

Right rotation direction: To drive screw press the rotation direction selector (6) to the left (when looking from the back of the driver) until resistance is felt (position R).

Left rotation direction: To release or undo screws or nuts press the rotation direction selector (6) to the right (when looking from the back of the driver) until resistance is felt (position L).

■ Setting drilling depth (see Fig. C)

Using the depth limiter knob (3) it is possible to set how deep the screw head sinks in the material.




Turning the knob (3) clockwise (when looking from the back of the driver) increases the driving depth, while turning it counterclockwise (when looking from the back of the driver) decreases the driving depth. One full turn of the depth setting knob changes the drilling depth by

1,5 mm.

Adjust the knob (3) to set the distance between depth limiter sleeve tip (2) and screw head to about 1 mm, as shown in Fig. D 1 or D 2.

Drive a trial screw into the material or a replacement item. If the depth is not suitable for the screw, re-adjust it to obtain a proper setting.

Proper screw driving depth adjustment is crucial. Some examples for driving screws into plasterboards are presented in the table below:

<p>Correct.</p> <p>Screw head is located below the surface, at the same time it does not puncture the plasterboard.</p>	
<p>Too deep.</p> <p>Screw head makes a hole in the plasterboard surface and enables damp to penetrate under the cover.</p>	
<p>Too shallow.</p> <p>Screw head projects over the plasterboard instead of being hidden inside it.</p>	

IN USE:

■ Turning on/off:

Connect the power cord plug to the mains socket.

- To switch the power **on** press the switch (7) and hold it in this position.
- To immobilize the switch in pressed position, press the lock (8).
- To switch the power **off**, release the switch (7), or when immobilized with the lock button (8), press for a moment and then release it immediately.

■ Controlling the speed

By increasing or decreasing the pressure on switch (7) the user can control the rotational speed steplessly. Low pressure on the switch results in low speed. Increasing the pressure raises the speed.

TIPS REGARDING OPERATION:

NOTE: The power tool should be placed on a screw when it is off.

When driving larger and longer screws into a hard material, it is recommended to make a pilot hole first, a bit deeper and with a lower diameter than the actual screw outer diameter.

When the screw is to be driven within the vicinity of the material edge the pilot borehole prevents from undesired chipping of the material.

If the screw is driven with abnormal difficulty the screw must be retracted and the pilot borehole diameter should be enlarged.

Anyway, when problem to drive the screw in persists (e.g. in case of hard wood grades) try to use a lubricating agent (e.g. liquid soap). Press the tool to the screw with sufficient force to avoid spontaneous rotation of the driving bit in the screw head. Use only those bits that accurately match the bit head. When the screw head is damaged further driving the screw in or out may prove infeasible.

- Place the screw onto the driving bit (1). Screws are held in place automatically by the chuck magnetic force (11). Press the screw tip against the material until driving depth limiter (4) touches its surface.

- Switch the power tool on. The screw begins to be driven into the material until the preset depth is obtained. The drive switches off; the chuck stops turning. Check the driving depth and re-adjust, if necessary.
- To undo screws set the feature «left rotation direction» using rotation direction selector (6) and remove the driving depth limiter (4), by sliding it forwards.
Once the driving depth is adjusted, it is possible to re-install driving depth limiter (4).

■ Belt clip

By using the clip (5) it is possible to hang the power tool on a belt. Thanks to this both hands are free, and the power tool is still within your range.

STORAGE AND MAINTENANCE:

The tool in principle does not require any special maintenance or service. The tool must be stored in a place that is not accessible to children and must be kept clean and protected from moisture and dust. The storage conditions should prevent potential mechanical damage and impact of the weather conditions.

■ Cleaning

NOTE! Prior to any cleaning or maintenance always unplug the driver from the mains socket.

To provide safe and efficient operation, the power tool and its venting holes should be kept clean.

Clean the power tool immediately after each use. Its outer plastic components can be cleaned with a slightly wet cloth and soft cleaning agent. NEVER use any solvents; as it may result in damage to plastic parts of the power tool. Protect the power tool against water penetration.

Once cleaned allow it to dry.

TRANSPORTATION:

Store and transport the tool in its transport box to protect it against humidity, dust penetration and small objects; remember to protect its ventilation openings. Small objects after getting into the casing can

result in damage to the motor.

TROUBLESHOOTING:

The electric tool fails to switch on or works with breaks:

- check whether the power cord (10) is correctly plugged in and the electric power outlet is energized;
- check condition of carbon brushes and replace them if necessary.

NOTE! Carbon brushes can be replaced only by competent electricians.

- if the defect persists, the tool fails to work despite of voltage presence and carbon brushes are in good condition, hand the tool over for repair to an authorized workshop to the address specified in your warranty card.

MANUFACTURER:

PROFIX Co.Ltd.,
34 Marywilka Street,
03-228 Warsaw, POLAND.

This appliance is in conformity with national and European standards as well as with general safety guidelines.

Any repairs are allowed to be carried out exclusively by qualified staff with use of original spare parts.

PROTECTION OF THE ENVIRONMENT:



NOTE: The symbol nearby denotes that old equipment must never be thrown away together with other waste (with the penalty of a fine). Hazardous components of electronic equipment may adversely affect the natural environment and human health.

Each household may contribute to the recovery and reuse (recycling) of old machinery and equipment. Both in Poland and Europe a system for recovery of used equipment either exists or is being created. The system obliges all organizations that sell such equipment to collect the used machinery and appliances. Moreover, general purpose collecting points for such equipment are available.




The policy of the PROFIX company consists in permanent improvements of the offered products and therefore the company reserves the right to make amendments to the product specification without a prior notice. The images included into the operation manual are only of the exemplary nature and may slightly differ from actual appearance of the device purchased. This instruction manual is protected by copyright. Copying it without the written consent of PROFIX Co. Ltd. is prohibited.



PRZED PRZYSTĄPIENIEM DO UŻYTKOWANIA NALEŻY ZAPOZNAĆ SIĘ NINIEJSZĄ INSTRUKCJĄ.

Zachowaj instrukcję do ewentualnego przyszłego wykorzystania.



OSTRZEŻENIE! Należy przeczytać wszystkie ostrzeżenia dotyczące bezpieczeństwa użytkowania oznaczone symbolem  i wszystkie wskazówki dotyczące bezpieczeństwa użytkowania.

Nieprzestrzeżenie podanych niżej ostrzeżeń dotyczących bezpieczeństwa i wskazówek dotyczących bezpieczeństwa może być przyczyną porażenia prądem elektrycznym, pożaru i/lub poważnych obrażeń.

Zachowaj wszystkie ostrzeżenia i wskazówki dotyczące bezpieczeństwa, aby móc skorzystać z nich w przyszłości.

W podanych niżej ostrzeżeniach wyrażenie „elektronarzędzie” oznacza elektronarzędzie zasilane z sieci (z przewodem zasilającym) lub elektronarzędzie zasilane z akumulatora (bezprowodowe).



OSTRZEŻENIE! Ogólne ostrzeżenia dotyczące bezpieczeństwa użytkowania narzędzia.

Bezpieczeństwo w miejscu pracy:

- W miejscu pracy należy utrzymywać porządek i dobre oświetlenie. Nieporządek i złe oświetlenie przyczynia się do wypadków.
- Nie należy używać elektronarzędzia w środowiskach wybuchowych, tworzonych przez łatwo palne ciecze, gazy lub pyły. Elektronarzędzie wytwarza iskry, które mogą zapalić pył lub opary.
- Nie należy dopuszczać dzieci i obserwatorów do miejsc, w których używa się elektronarzędzi. Rozproszenie uwagi może spowodować utratę kontroli nad elektronarzędziem.



OSTRZEŻENIE! Ogólne ostrzeżenia dotyczące bezpieczeństwa użytkowania narzędzia.

Bezpieczeństwo elektryczne:

- Wtyczki elektronarzędzi muszą pasować do gniazdek. Nigdy w żaden sposób nie należy przerabiać wtyczki. Nie należy używać żadnych przedłużaczy w przypadku elektronarzędzi mających przewód z żyłą uziemienia ochronnego. Brak przeróbek we wtyczkach i gniazdkach wtyczkowych zmniejsza ryzyko porażenia prądem elektrycznym.
- Należy unikać dotykania powierzchni uziemionych lub zwartych z masą, takich jak rury, ogrzewacze, grzejniki centralnego ogrzewania i chłodziarki. W przypadku dotknięcia części uziemionych lub zwartych z masą, wzrasta ryzyko porażenia prądem elektrycznym.
- Nie należy narażać elektronarzędzi na działanie deszczu lub warunków wilgotnych. W przypadku przedostania się do elektronarzędzia wody, wzrasta ryzyko porażenia prądem elektrycznym.
- Nie należy nadwierać przewodów przyłączeniowych. Nigdy nie należy używać przewodu przyłączeniowego do przenoszenia, ciągnięcia elektronarzędzia lub wyciągania wtyczki z gniazdka. Należy trzymać przewód przyłączeniowy z

daleka od źródeł ciepła, olejów, ostrych krawędzi lub ruchomych części. Uszkodzone lub zaplątane przewody przyłączeniowe zwiększają ryzyko porażenia prądem elektrycznym.

- W przypadku, gdy elektronarzędzie używa się na wolnym powietrzu, przewody przyłączeniowe należy przedłużać przedłużaczami przeznaczonymi do pracy na wolnym powietrzu. Używanie przedłużacza przeznaczonego do pracy na wolnym powietrzu zmniejsza ryzyko porażenia prądem elektrycznym.
- Zaleca się podłączenie urządzenia do sieci elektrycznej wyposażonej w wyłącznik różnicowo-prądowy (RCD) o prądzie wyłączenia 30mA lub mniejszym.
- W przypadku, gdy używanie elektronarzędzia w środowisku wilgotnym jest nieuniknione, jako ochronę przed napięciem zasilania należy stosować urządzenie różnicowoprądowe (RCD). Zastosowanie RCD zmniejsza ryzyko porażenia prądem elektrycznym.



OSTRZEŻENIE! Ogólne ostrzeżenia dotyczące bezpieczeństwa użytkowania narzędzia.

Bezpieczeństwo osobiste:

- Niniejszy sprzęt nie jest przeznaczony do użytkowania przez osoby (w tym dzieci) o ograniczonej zdolności fizycznej, czuciowej lub psychicznej, lub osoby nie mające doświadczenia lub znajomości sprzętu, chyba że odbywa się to pod nadzorem lub zgodnie z instrukcją użytkowania sprzętu, przekazanej przez osoby odpowiadające za ich bezpieczeństwo.
- Należy być przewidującym, obserwować co się robi i zachowywać rozsądek podczas używania elektronarzędzia. Nie należy używać elektronarzędzia, gdy jest się zmęczonym lub pod wpływem narkotyków, alkoholu lub leków. Chwila nieuwagi podczas pracy elektronarzędziem może spowodować poważne osobiste obrażenia.
- Należy stosować wyposażenie ochronne. Należy zawsze zakładać okulary ochronne. Używanie w odpowiednich warunkach wyposażenia ochronnego, takiego jak maska przeciwpyłowa, obuwie antypoślizgowe, kask lub ochronniki słuchu, zmniejsza osobiste obrażenia.
- Należy unikać niezamierzonego rozruchu. Przed przyłączeniem do źródła zasilania i/lub przed podłączeniem akumulatora oraz zanim podniesie się lub przeniesie się narzędzie należy upewnić się, że wyłącznik elektronarzędzia jest w pozycji wyłączony. Przenoszenie elektronarzędzia z palcem na wyłączniku lub przyłączenie elektronarzędzia do sieci zasilającej przy załączonym wyłączniku może być przyczyną wypadku.
- Przed uruchomieniem elektronarzędzia należy usunąć wszystkie klucze. Pozostawienie klucza w obracającej się części elektronarzędzia może spowodować osobiste obrażenia.
- Nie należy wychylać się za daleko. Należy cały czas stać pewnie i zachować równowagę. Umożliwi to lepszą kontrolę nad elektronarzędziem w sytuacjach nieprzewidywalnych.
- Należy odpowiednio się ubierać. Nie należy nosić luźnego ubrania ani biżuterii. Należy utrzymywać swoje włosy,

ubranie i rękawiczki z dala od części ruchomych. Luźne ubrania, biżuteria lub długie włosy mogą zostać zacepione przez części ruchome.

- h) Jeżeli urządzenie są przystosowane do przyłączenia zewnętrznego odciągu pyłu i pochłaniacza pyłu, należy upewnić się, że są one przyłączone i prawidłowo użyte. Użycie pochłaniacza pyłu może zredukować zagrożenia zależne od zapylenia.



OSTRZEŻENIE! Ogólne ostrzeżenia dotyczące bezpieczeństwa użytkowania narzędzia.

Użytkowanie i troska o elektronarzędzie:

- a) Nie należy elektronarzędzia przeciążać. Należy stosować elektronarzędzie o mocy odpowiedniej do wykonywanej pracy. Właściwe elektronarzędzie umożliwi pracę lepszą i bezpieczniejszą przy obciążeniu, na jakie zostało zaprojektowane.
- b) Nie należy używać elektronarzędzia, jeżeli łącznik go nie załącza i nie wyłącza. Każde elektronarzędzie, którego nie można załączać lub wyłączać łącznikiem, jest niebezpieczne i musi zostać naprawione.
- c) Należy odłączać wtyczkę ze źródła zasilania elektronarzędzia i/lub odłączyć akumulator przed wykonaniem każdej nastawy, wymiany części lub magazynowaniem. Takie zapobiegawcze środki bezpieczeństwa redukuje ryzyko przypadkowego rozruchu elektronarzędzia.
- d) Nieużywane elektronarzędzie należy przechowywać poza zasięgiem dzieci i nie należy pozwalać osobom nieznanym z elektronarzędziem lub niniejszą instrukcją na używanie elektronarzędzia. Elektronarzędzia są niebezpieczne w rękach nieprzeszkolonych użytkowników.
- e) Elektronarzędzia należy konserwować. Należy sprawdzać współosiowość lub zakleszczenie się części ruchomych, pęknięcia części i wszystkie inne czynniki, które mogą mieć wpływ na pracę elektronarzędzia. Jeżeli stwierdzi się uszkodzenia, należy elektronarzędzie przed użyciem naprawić. Przyczyną wielu wypadków jest niefachowy sposób konserwacji elektronarzędzia.
- f) Narzędzia tnące powinny być ostre i czyste. Odpowiednie utrzymywanie ostrych krawędzi narzędzi tnących zmniejsza prawdopodobieństwo zakleszczenia i ułatwia obsługę.
- g) Elektronarzędzie, wyposażenie, narzędzia robocze itp. należy stosować zgodnie z niniejszą instrukcją, biorąc pod uwagę warunki pracy i rodzaj pracy do wykonania. Używanie elektronarzędzia w sposób, do jakiego nie jest przewidziane, może spowodować niebezpieczne sytuacje.
- h) W niskich temperaturach, lub po dłuższym okresie nie użytkowania, zalecane jest włączenie elektronarzędzia bez obciążenia na okres kilku minut w celu właściwego rozprowadzenia smaru w mechanizmie napędu.
- i) Do czyszczenia elektronarzędzi stosować miękką, wilgotną (nie mokra) szmatkę i mydło. Nie stosować benzyny, rozpuszczalników i innych środków mogących uszkodzić urządzenie.
- j) Elektronarzędzie należy przechowywać/transportować po upewnieniu się, że wszystkie jego elementy ruchome są zablokowane i zabezpieczone przed odblokowaniem za

pomocą oryginalnych elementów do tego przeznaczonych.

- k) Elektronarzędzie należy przechowywać w miejscu suchym, zabezpieczone przed kurzem i wnikaniem wilgoci.
- l) Transportowanie elektronarzędzia powinno odbywać się w opakowaniu oryginalnym, zabezpieczającym przed uszkodzeniami mechanicznymi.



OSTRZEŻENIE! Ogólne ostrzeżenia dotyczące bezpieczeństwa użytkowania narzędzia.

Naprawa:

- a) Naprawy gwarancyjne i pogwarancyjne swoich elektronarzędzi wykonuje Serwis PROFIX, co gwarantuje najwyższą jakość napraw oraz stosowanie oryginalnych części zamiennych.



OSTRZEŻENIE! Wkrętarka elektryczna, ostrzeżenia dotyczące bezpieczeństwa –

Bezpieczeństwo osobiste:

- a) Zakładać ochronniki słuchu podczas pracy wkrętarką. Narazanie się na hałas może spowodować utratę słuchu.
- b) Podczas wykonywania prac, przy których śruba mogłaby natrafić na ukryte przewody elektryczne, elektronarzędzie należy trzymać za izolowane powierzchnie rękojeści. Kontakt z przewodem sieci zasilającej może spowodować przekazanie napięcia na części metalowe elektronarzędzia, co mogłoby spowodować porażenie prądem elektrycznym.
- c) Należy używać odpowiednich przyrządów poszukiwawczych w celu lokalizacji ukrytych przewodów zasilających, lub poprosić o pomoc administrację obiektu. Kontakt z przewodami znajdującymi się pod napięciem może doprowadzić do powstania pożaru i porażenia elektrycznego. Uszkodzenie przewodu gazowego może doprowadzić do wybuchu. Wniknięcie do przewodu wodociągowego powoduje szkody rzeczowe.
- d) Należy zabezpieczyć obrabiany przedmiot. Upewnić się, czy wszystkie zaciski mocujące są ściśnięte i zweryfikować, żeby nie było przesadnego luzu. Zamocowanie obrabianego przedmiotu w urządzeniu mocującym lub imadle jest bezpieczniejsze niż trzymanie go w ręku.
- e) Elektronarzędzie podczas pracy należy mocno trzymać oraz dbać o stabilną pozycję. Podczas dokręcania lub luzowania śrub mogą wystąpić krótkotrwałe wysokie momenty reakcji.
- f) Przed odłożeniem elektronarzędzia, należy poczekać, aż znajdzie się ono w bezruchu. Narzędzie robocze może się zablokować i doprowadzić do utraty kontroli nad elektronarzędziem.
- g) Nie wolno używać elektronarzędzia z uszkodzonym przewodem zasilającym. Nie należy dotykać uszkodzonego przewodu; w przypadku uszkodzenia przewodu podczas pracy, należy wyciągnąć wtyczkę z gniazda. Uszkodzone przewody podwyższają ryzyko porażenia prądem.
- UWAGA!** Jeżeli przewód zasilający nieodłącznie ulegnie uszkodzeniu, to powinien on być zastąpiony specjalnym przewodem lub zespołem dostępnym u wytwórcy lub w specjalistycznym zakładzie naprawczym.

BUDOWA I PRZEZNACZENIE WKRĘTARKI:

Wkrętarka elektryczna jest ręcznym elektronarzędziem napędzanym silnikiem jednofazowym, komutatorowym. Urządzenie w drugiej klasie sprzętu (podwójna izolacja).

Wkrętarka elektryczna jest przeznaczona do szybkiego wkręcania i wykręcania wkrętów podczas suchego montażu płyt gipsowo-kartonowych, miękkiego drewna, tworzyw sztucznych, itp.

Dane elektronarzędzie jest przeznaczone do robót o przeciętnej intensywności. Nie nadaje się do długotrwałych robót w ciężkich warunkach. **Nie wolno wykorzystywać narzędzia do wykonywania prac wymagających zastosowania profesjonalnego urządzenia.**

Każde użycie urządzenia niezgodne z przeznaczeniem podanym wyżej jest zabronione i powoduje utratę gwarancji oraz brak odpowiedzialności producenta za powstałe w wyniku tego szkody.

Jakiegokolwiek modyfikacje urządzenia dokonane przez użytkownika zwalniają producenta z odpowiedzialności za uszkodzenia i szkody wyrządzone użytkownikowi i otoczeniu.

Pomimo zgodnego z przeznaczeniem stosowania nie można całkowicie wyeliminować określonych czynników ryzyka resztkowego. Ze względu na konstrukcję i budowę maszyny mogą wystąpić następujące niebezpieczeństwa:

- dotknięcie w trakcie pracy obracającego się narzędzia roboczego ręką lub ubraniem operatora;
- oparzenie przy wymianie końcówki roboczej. (Podczas pracy bit bardzo się rozgrzewa, żeby uniknąć oparzenia przy jego wymianie należy stosować szczypcy i rękawice ochronne);
- odrzucenie wkrętu.

■ Kompletacja

- Wkrętarka elektryczna-1 szt.
- Ogranicznik głębokości wkręcania -1 szt.
- Kufer transportowy -1 szt.
- Instrukcja obsługi - 1 szt.
- Karta gwarancyjna -1 szt.

■ Elementy urządzenia (patrz str. 2):

Rys.A 1. Końcówka wkręcająca (bit)*

2. Tuleja ogranicznika głębokości
3. Pokrętko nastawy ogranicznika głębokości
4. Ogranicznik głębokości wkręcania
5. Klips do paska
6. Przełącznik kierunku obrotów
7. Włącznik
8. Blokada włącznika
9. Rękojeść
10. Przewód zasilający

Rys.B 11. Magnetyczny uchwyt uniwersalny*

12. Uchwyt ¼" z wpustem sześciokątnym

* Przedstawiony na rysunkach lub opisany osprzęt nie wchodzi w skład wyposażenia standardowego.

DANE TECHNICZNE:

Napięcie zasilania	230 V
Częstotliwość zasilania	50 Hz
Moc pobierana	500 W
Prędkość obrotowa bez obciążenia	0-1600 /min
Maks. średnica śrub/wkrętów	6 mm (¼")
Klasa sprzętu	II/☐
Masa	1,5 kg
Poziom ciśnienia akustycznego (LpA)	86 dB(A)
Poziom mocy akustycznej (LwA)	97 dB(A)
Tolerancja pomiaru LpA, LwA	3 dB(A)
Poziom wibracji wg EN 60745 -1 (tolerancja pomiaru - 1,5m/s ²) wkręcanie bez uderu a _n	2,32 m/s ²

Podany poziom drgań jest reprezentatywny dla podstawowych zastosowań elektronarzędzia. Jeżeli elektronarzędzie użyte zostanie do innych zastosowań lub z innymi narzędziami roboczymi, a także jeśli nie będzie wystarczająco konserwowane, poziom wibracji może odbiegać od podanego. Podane powyżej przyczyny mogą spowodować podwyższenie ekspozycji na wibrację podczas całego czasu pracy.

Należy wprowadzić dodatkowe środki bezpieczeństwa, mające na celu ochronę operatora przed skutkami ekspozycji na wibracje, np.: konserwacja elektronarzędzia i narzędzi roboczych, zabezpieczenie odpowiedniej temperatury rąk, ustalenie kolejności operacji roboczych.

PRZED PRZYSTĄPIENIEM DO PRACY:

1. Upewnić się, że źródło zasilania ma parametry odpowiadające parametrom urządzenia podanym na tabliczce znamionowej.
2. Upewnić się, że włącznik wkrętarki (7) jest w pozycji wyłączenia i blokada włącznika (8) jest zwolniona. Nie wolno odkładać pracującej wkrętarki, gdy blokada jest włączona. Wyłączenie blokady następuje przez ponowne wciśnięcie włącznika (7).
3. W przypadku pracy z przedłużaczem należy upewnić się że parametry przedłużacza, przekroje przewodów, odpowiadają parametrom wkrętarki. Zaleca się stosowanie jak najkrótszych przedłużaczy. Przedłużacz powinien być całkowicie rozwinięty.

■ Wymiana narzędzi roboczych (rys. B):

UWAGA: Przed rozpoczęciem dowolnych prac związanych z obsługą oraz przygotowaniem urządzenia do pracy, należy upewnić się czy narzędzie jest odłączone od sieci elektrycznej.

Aby wyjąć końcówkę roboczą (1) z uchwytu, należy najpierw zdjąć ogranicznik głębokości wkręcania (4), zsuwając go do przodu. Następnie chwycić końcówkę szczypcami i wyciągnąć ją z magnetycznego uchwytu (11). Kołysanie szczypcami przy wyciąganiu, może czasami ułatwić wyciągnięcie końcówki. Jeżeli zaistnieje taka potrzeba, można też wyjąć i wymienić uchwyt uniwersalny (11).

■ Nastawienie kierunku obrotów (rys.A1)

UWAGA: Uruchamiać przełącznik kierunku obrotów (6) tylko przy wyłączonym elektronarzędziu.

Przełącznikiem kierunku obrotów (6) można zmienić kierunek obrotów elektronarzędzia. Przy wciśniętym włączniku (7) jest to jednak niemożliwe.

Bieg w prawo: W celu wkręcania wkrętów nacisnąć przełącznik kierun-

ku obrotów (6) w lewo (patrząc z tyłu wkrętarki) do oporu (pozycja R).

Bieg w lewo: W celu zwolnienia lub wykręcenia wkrętów i nakrętek nacisnąć przełącznik kierunku obrotów (6) w prawo (patrząc z tyłu wkrętarki) do oporu (pozycja L).

■ Nastawianie głębokości wkręcania (patrz rys. C)

Za pomocą pokrętła nastawy ogranicznika głębokości (3) można ustalić głębokość zanurzenia головки wkrętu w materiale.


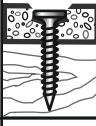
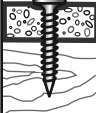
Obracanie pokrętła (3) w kierunku zgodnym z ruchem wskazówek zegara (patrząc z tyłu wkrętarki), zwiększa głębokość wkręcania, obracanie w kierunku przeciwnym do ruchu wskazówek zegara (patrząc z tyłu wkrętarki) zmniejsza głębokość wkręcania.

Pełny obrót pokrętła nastawy ogranicznika głębokości powoduje zmianę głębokości o 1,5 mm.

Wyreguluj pokrętło (3) tak, aby odległość pomiędzy końcówką tulei ogranicznika głębokości (2) i łbem śruby wynosiła około 1 mm, jak pokazano na rys. D1 lub D2.

Wkręć próbną śrubę w materiał lub w element zastępczy. Jeżeli głębokość nie jest odpowiednia dla śruby, wykonaj ponowną regulację tak, aby ustawienie głębokości było poprawne.

Poprawne ustawienie głębokości wkręcania śruby jest bardzo istotne. Przykłady wkręcania śruby z ukrytą główką do płyty gipsowo-kartonowej są podane w tabeli niżej:

<p>Prawidłowo.</p> <p>Główka wkrętu znajduje się poniżej powierzchni, jednocześnie nie przebija pokrycia płyty gipsowej.</p>	
<p>Zbyt głęboko.</p> <p>Główka wkrętu wybija otwór w powierzchni płyty gipsowej i dopuszcza możliwość dostania się wilgoci pod pokrycie.</p>	
<p>Zbyt płytko.</p> <p>Główka wkrętu wystaje ponad powierzchnię płyty zamiast szczelnie ją pokrywać.</p>	

PRACA:

■ Włączanie/wyłączenie

Włożyć wtyczkę do gniazda sieciowego.

- Aby **włączyć** elektronarzędzie należy wcisnąć włącznik (7) i przytrzymać go w tej pozycji.
- W celu unieruchomienia wciśniętego włącznika należy nacisnąć przycisk blokady (8).
- Aby **wyłączyć** elektronarzędzie, należy zwolnić włącznik (7), lub gdy jest on unieruchomiony przyciskiem blokady (8), nacisnąć krótko włącznik i następnie zwolnić.

■ Nastawianie prędkości obrotowej

Przez zwiększenie lub zmniejszenie nacisku na włącznik (7) można bezstopniowo nastawić prędkość obrotową. Lekki nacisk na włącznik powoduje małą prędkość obrotową. Zwiększony nacisk podwyższa prędkość obrotową.

WSKAZÓWKI DOTYCZĄCE PRACY:

UWAGA: Elektronarzędzie należy nasadzać na wkręt tylko w wyłączonym stanie.

Przy wkręcaniu większych i dłuższych wkrętów w twardej materiał, zaleca się wykonywanie najpierw otworu pilotującego, nieco głębszego od długości wkręta i o nieco mniejszej średnicy od średnicy zewnętrznej gwintu wkręta. W przypadku gdy wkręt znajduje się w sąsiedztwie krawędzi materiału, wykonanie otworu pilotującego zapobiega możliwości niepożądanego odprysnięcia materiału.

Jeśli przy wkręcaniu wystąpi trudność z zagłębieniem się wkręta, to należy wkręt wykręcić i powiększyć trochę otwór pilotujący.

Jeśli nadal wkręcanie przebiega z trudnością (co może wystąpić w przypadku twardych gatunków drewna) należy spróbować użyć środka smarującego (np. mydło w płynie). Należy wywierać odpowiedni nacisk na wkrętarke, aby nie dopuścić do obracania się końcówki wkrętakowej względem łba wkręta. Stosować końcówki dokładnie dopasowane do łba wkręta. Uszkodzenia gniazda wkręta może uniemożliwić wkręcenie bądź wykręcenie wkręta.

- Nałożyć wkręt na końcówkę wkręcającą (1). Wkręty są automatycznie przytrzymywane przez siłę magnetyczną uchwytu narzędziowego (11). Wcisnąć zubek wkrętu w obrabiany materiał, aż ogranicznik głębokości wkręcania (4) dotknie jego powierzchni.
- Włączyć elektronarzędzie. Rozpocznie się wkręcanie wkrętu w materiał, aż do osiągnięcia nastawionej uprzednio głębokości. Napęd zostaje wyłączony; uchwyt narzędziowy przestaje się obracać. Skontrolować głębokość wkręcania i w razie potrzeby wyregulować.
- Do wkręcania wkrętów należy ustawić funkcję «obroty w lewo» za pomocą przełącznika obrotów (6) i zdjąć ogranicznik głębokości wkręcania (4), zsuwając go do przodu.
Po dopasowaniu głębokości wkręcania, możliwa jest też praca z nałożonym ogranicznikiem głębokości (4).

■ Klips do paska

Za pomocą klipsa (5) można zawiesić elektronarzędzie na przykład na pasku. Dzięki temu obie ręce są wolne, a elektronarzędzie znajduje się w zasięgu ręki.

PRZECHOWYWANIE I KONSERWACJA:

Maszyna w zasadzie nie wymaga specjalnych zabiegów konserwacyjnych. Maszynę należy przechowywać w miejscu, niedostępnym dla dzieci, utrzymywać w stanie czystości, chronić przed wilgocią i zapyleniem. Warunki przechowywania powinny wykluczać możliwość uszkodzeń mechanicznych oraz wpływ szkodliwych warunków atmosferycznych.

■ Czyszczenie

UWAGA! Przed przystąpieniem do czyszczenia i prac konserwacyjnych należy upewnić się, że urządzenie jest odłączone od źródła zasilania.

Aby zapewnić bezpieczną i wydajną pracę, elektronarzędzie i szczeliny wentylacyjne należy utrzymywać w czystości.

Zaleca się czyszczenie urządzenia bezpośrednio po każdorazowym użyciu. Zewnętrzne plastikowe części mogą być oczyszczone za pomocą wilgotnej tkaniny i delikatnego czyszczącego środka. NIGDY nie należy wykorzystywać środków rozpuszczających, mogą one uszkodzić części urządzenia wykonane z tworzywa sztucznego. Należy uważać, aby do wnętrza urządzenia nie dostała się woda.

Po czyszczeniu odczekać aż wkrętaraka całkowicie wyschnie.

TRANSPORT:

Elektronarzędzie transportować i składować w kufrze transportowym, chroniącym przed wilgocią, wnikaniem pyłu i drobnych obiektów, zwłaszcza należy zabezpieczyć otwory wentylacyjne. Drobne elementy, które dostaną się wewnątrz obudowy mogą uszkodzić silnik.

TYPOWE USTERKI I ICH USUWANIE:

Elektronarzędzie nie włącza się lub przerywa pracę:

- sprawdzić czy przewód zasilający (10) jest prawidłowo podłączony oraz dopływ prądu do gniazda zasilającego;
- sprawdzić stan szczotek węglowych i w razie potrzeby wymienić.

UWAGA! Wymianę szczotek węglowych może wykonać tylko uprawniony elektryk.

- jeżeli elektronarzędzie nie działa, pomimo że jest zasilane napięciem, należy je wysłać do serwisu naprawczego na podany adres.

PRODUCENT:

PROFIX Sp. z o.o., ul. Marywilska 34, 03-228 Warszawa

Niniejsze urządzenie jest zgodne z normami krajowymi i europejskimi, oraz z wytycznymi bezpieczeństwa.

Wszelkie naprawy muszą być przeprowadzane przez wykwalifikowany personel, używając oryginalnych części zamiennych.

OCHRONA ŚRODOWISKA:



UWAGA: Przedstawiony symbol oznacza zakaz umieszczania zużytego sprzętu łącznie z innymi odpadami (z zagrożeniem karą grzywny). Składniki niebezpieczne znajdujące się w sprzęcie elektrycznym i elektronicznym wpływają negatywnie na środowisko naturalne i zdrowie ludzi.

Gospodarstwo domowe powinno przyczyniać się do odzysku i ponownego użycia (recyklingu) zużytego sprzętu. W Polsce i w Europie tworzony jest lub już istnieje system zbierania zużytego sprzętu, w ramach którego wszystkie punkty sprzedaży ww. sprzętu mają obowiązek przyjmować zużyty sprzęt. Ponadto istnieją punkty zbiórki ww. sprzętu.



Polityka firmy PROFIX jest polityką stałego udoskonalania swoich produktów i dlatego firma rezerwuje sobie prawo zmiany specyfikacji wyrobu bez uprzedniego zawiadomienia. Obrazki, podane w instrukcji obsługi, są przykładowe i mogą się nieznacznie różnić od rzeczywistego wyglądu zakupionego urządzenia.

Niniejsza instrukcja jest chroniona prawem autorskim. Kopiowanie/ powielanie jej bez pisemnej zgody firmy Profix Sp. z o.o. jest zabronione.



ПЕРЕД НАЧАЛОМ ЭКСПЛУАТАЦИИ НЕОБХОДИМО ОЗНАКОМИТЬСЯ С НАСТОЯЩЕЙ ИНСТРУКЦИЕЙ.

Хранить инструкцию для возможного применения в будущем.



ПРЕДУПРЕЖДЕНИЕ! Необходимо ознакомиться со всеми предупреждениями, касающимися безопасности при эксплуатации, обозначенными символом ⚠ и всеми указаниями по технике безопасности.

Несоблюдение указанных ниже предупреждений, касающихся безопасности и указаний по технике безопасности может привести к поражению электрическим током, пожару и/или серьёзным травмам тела.

Необходимо хранить все предупреждения и указания, касающиеся техники безопасности, чтобы можно было воспользоваться ними в будущем.

В указанных ниже предупреждениях слово „электроинструмент“ означает электроинструмент с питанием от сети (посредством электрического кабеля) или электроинструмент, питаемый от аккумулятора (беспроводное питание).



ПРЕДУПРЕЖДЕНИЕ! Общие предупреждения, касающиеся безопасности при эксплуатации инструмента.

Техника безопасности на рабочем месте:

- Необходимо поддерживать порядок и хорошее освещение на рабочем месте. Беспорядок и плохое освещение являются причиной несчастных случаев.
- На следует использовать электроинструмент во взрывоопасной среде, образующейся легко воспламеняющимися жидкостями, газами или пылью. Электроинструмент создаёт искры, которые могут привести к воспламенению пыли или испарений.
- Не допускать детей и наблюдателей в места, в которых применяются электроинструменты. Отвлечение внимания может привести к потере контроля над электроинструментом.



ПРЕДУПРЕЖДЕНИЕ! Общие предупреждения, касающиеся безопасности при эксплуатации инструмента.

Электробезопасность:

- Штепсельные вилки должны соответствовать сетевым розеткам. Ни в коем случае не переделывать каким-либо образом штепсельную вилку. Не применять каких-либо удлинителей электропитания в случае использования электроинструментов, имеющих провод электропитания с защитным заземляющим проводником. Отсутствие переделок штепсельных розеток и сетевых розеток снижает опасность поражения электрическим током.
- Необходимо избегать прикосновения к поверхности заземлённых или закороченных на массу элементов, таких как трубы, нагреватели, радиаторы центрального

отопления и холодильные агрегаты. В случае прикосновения заземлённого или закороченного на массу элемента увеличивается опасность поражения электрическим током.

- Не подвергать электроинструменты воздействию дождя или влажных условий. В случае попадания в электроинструмент воды увеличивается опасность поражения электрическим током.
- Не создавать опасности повреждения кабеля электропитания. Ни в коем случае не использовать кабель электропитания, чтобы переносить или тянуть электроинструмент или для извлечения штепсельной вилки из розетки. Кабель электропитания должен находиться вдали от источников тепла, масел, острых краёв и движущихся частей. Повреждённые или запутанные кабели электропитания увеличивают опасность поражения электрическим током.
- Если электроинструмент эксплуатируется на свежем воздухе, следует использовать удлинители кабеля электропитания, предназначенные для работы вне помещений. Использование удлинителя кабеля электропитания, предназначенного для работы вне помещений, снижает опасность поражения электрическим током.
- Рекомендуется подключение устройства к электрической сети, снабженной выключателем остаточного тока (RCD) с током выключения 30 мА или менее.
- Если эксплуатация электроинструмента во влажной среде неизбежна, в качестве защиты от напряжения питания необходимо использовать защитное устройство по разному току (RCD). Применение защитного устройства по разному току снижает опасность поражения электрическим током.



ПРЕДУПРЕЖДЕНИЕ! Общие предупреждения, касающиеся безопасности при эксплуатации инструмента.

Индивидуальная безопасность:

- Настоящее оборудование не предназначено для эксплуатации лицами (включая детей) с физическими, сенсорными или умственными ограничениями или лицами, не имеющими опыта или не знающими оборудования, разве что это осуществляется под надзором или в соответствии с инструкцией по эксплуатации оборудования, переданной лицами, отвечающими за их безопасность.
- Необходимо быть предусмотрительным, наблюдать за работой и руководствоваться здравым смыслом во время эксплуатации электроинструмента. Не следует эксплуатировать электроинструмент в состоянии переутомления или находясь под действием наркотиков, алкоголя или лекарств. Мгновенье невнимания во время эксплуатации электроинструмента может быть причиной травмы пользователя.
- Необходимо применять средства личной защиты.

Необходимо обязательно работать с защитными очками. Применение в соответствующих условиях средств личной защиты, таких как противопыльный респиратор, противоскользкая обувь, каска или средства защиты слуха снизит риск получения травмы.

- г) **Необходимо избежать случайного запуска в работу.** Прежде чем вставить вилку кабеля электропитания в сетевую розетку или подключить аккумулятор, а также перед тем, как поднять или перенести электроинструмент, необходимо убедиться, что выключатель электроинструмента находится в положении «выключено». Перенос электроинструмента с пальцем на выключателе или подключение электроинструмента к сети питания при включенном выключателе может привести к несчастному случаю.
- д) **Прежде, чем запустить электроинструмент в работу, необходимо устранить все ключи.** Ключ, оставшийся во вращающейся части электроинструмента, может привести к травме пользователя.
- е) **Не следует слишком сильно наклоняться.** Необходимо всё время сохранять устойчивость и равновесие. Это позволяет лучше контролировать электроинструмент в неожиданных ситуациях.
- ж) **Необходимо иметь соответствующую одежду. Не работать в свободной одежде или с бижутерией.** Необходимо, чтобы волосы пользователя, его одежда и рукавицы находились вдали от движущихся элементов. Свободная одежда, бижутерия или длинные волосы могут быть зацеплены движущимися частями.
- з) **Если оборудование приспособлено для присоединения внешнего пылеотвода (пылеулавливающего устройства) и поглотителя пыли, необходимо убедиться, что они присоединены и правильно применяются.** Применение поглотителей пыли может уменьшить опасность, связанную запыленностью.



ПРЕДУПРЕЖДЕНИЕ! Общие предупреждения, касающиеся безопасности при эксплуатации инструмента.

Эксплуатация и уход за электроинструментом:

- а) **Не допускать перегрузки электроинструмента.** Применять электроинструмент с мощностью, соответствующей выполняемой работе. Надлежащий электроинструмент позволит лучше и безопаснее работать при нагрузке, на которую он рассчитан.
- б) **Не следует применять электроинструмент, если его выключатель не включается и не выключается.** Каждый электроинструмент, который не может включаться или выключаться выключателем, представляет опасность и должен быть передан на ремонт.
- в) **Необходимо отсоединить штепсельную вилку от источника питания электроинструмента и/или отсоединить аккумулятор прежде чем выполнить какую-либо установку, замену части или складирование устройства.** Такие предупредительные меры безопасности снижают риск случайного запуска электроинструмента в

работу.

- г) **Неиспользуемый электроинструмент следует хранить в недоступном для детей месте и не разрешать тем, кто незнаком с электроинструментом или настоящей инструкцией, пользоваться электроинструментом.** Электроинструмент опасен в руках необученных пользователей.
- д) **Следует выполнять технический уход за электроинструментом.** Необходимо проверить соосность или отсутствие заедания (защемления) подвижных элементов, трещин частей, а также все другие факторы, могущие влиять на работу электроинструмента. В случае обнаружения неисправности, необходимо выполнить ремонт электроинструмента. Причиной многих несчастных случаев является непрофессиональный способ выполнения технического ухода.
- е) **Режущий инструмент должен быть острым и чистым.** Соответствующее содержание и уход за острыми кромками режущего инструмента снижает вероятность защемления и упрощает обслуживание.
- ж) **Электроинструмент, оснащение, рабочие инструменты и т. п. необходимо применять в соответствии с настоящей инструкцией, учитывая рабочие условия и вид выполняемой работы.** Применение электроинструмента не по назначению может привести к опасным ситуациям.
- з) **При низкой температуре или после длительного перерыва в эксплуатации рекомендуется включение электроинструмента без нагрузки на несколько минут с целью распределения смазки в механизме привода.**
- и) **Для чистки электроинструмента применять мягкую, влажную (не мокрую) тряпку и мыло. Не применять бензина, растворителей и других средств, могущих повредить устройство.**
- й) **Электроинструмент следует хранить/транспортировать, убедившись, что все его подвижные элементы заблокированы и защищены от разблокировки при помощи оригинальных элементов, предназначенных для этой цели.**
- к) **Электроинструмент должен храниться в сухом месте и быть защищенным от пыли и проникания влаги.**
- л) **Транспортировку электроинструмента необходимо выполнять в оригинальной упаковке, защищающей от механических повреждений.**



ПРЕДУПРЕЖДЕНИЕ! Общие предупреждения, касающиеся безопасности при эксплуатации инструмента.

Ремонт:

- а) **Гарантийный и послегарантийный ремонт своих электроинструментов выполняет сервисная служба компании PROFIX, что гарантирует высочайшее качество ремонта и использование оригинальных запчастей.**



**ПРЕДУПРЕЖДЕНИЕ! ЭЛЕКТРИЧЕСКИЙ ШУРУПОВЁРТ,
предупреждения по технике безопасности –
Индивидуальная безопасность:**

- а) Во время работы с шуруповёртом применяйте средства защиты слуха. Длительное воздействие шума может привести к потере слуха.
- б) Выполняя работы, при которых загоняемый винт может попасть на скрытую электропроводку или на собственный кабель электропитания, электроинструмент следует держать за изолированную поверхность рукоятки. Прикосновение к проводу сети питания (кабелю электропитания), находящемуся под напряжением, может привести к попаданию напряжения на металлические части электроинструмента, а это несёт опасность поражения электрическим током.
- в) Следует применять соответствующие приборы для обнаружения скрытых проводов сети питания, либо попросить о помощи городские коммунальные службы. Контакт с проводами, находящимися под напряжением, может привести к пожару или поражению электрическим током. Повреждение газопроводной трубы может привести к взрыву. Проникновение в водопроводную трубу ведёт к материальным потерям и может привести к поражению электрическим током.
- г) Необходимо закрепить обрабатываемый предмет. Проверить, все ли крепежные зажимы зажаты и убедиться, что нет слишком большого зазора. Закрепление обрабатываемого предмета в крепежном устройстве или тисках более безопасно, чем удерживание его рукой.
- д) Во время работы следует прочно держать электроинструмент. Во время завинчивания или ослабления винтов могут произойти кратковременные моменты реакции.
- е) Не откладывать электроинструмент, пока он не остановится. Может произойти блокировка рабочего инструмента, в результате чего будет потерян контроль над электроинструментом.
- ё) Запрещено эксплуатировать электроинструменты с повреждённым кабелем электропитания. Не прикасаться к повреждённому кабелю электропитания. В случае повреждения кабеля электропитания во время работы, необходимо извлечь штепсельную вилку из розетки. Повреждённые провода увеличивают опасность поражения электрическим током.

ВНИМАНИЕ: Повреждённый кабель электропитания электроинструмента должен быть заменён кабелем электропитания, имеющимся в сервисных пунктах.

ПРЕДНАЗНАЧЕНИЕ И КОНСТРУКЦИЯ ШУРУПОВЁРТА:

Электрический шуруповёрт является ручным электроинструментом, приводимым в движение однофазным коммутаторным двигателем. Устройство классифицируется как оборудование второго класса (имеет двойную изоляцию и не требует заземления).

Данный шуруповёрт предназначен для быстрого завинчивания и отвинчивания винтов во время сухого монтажа гипсокартонных

плит, мягкого дерева, пластмассы, и т.п.

Электрический шуруповёрт предназначен исключительно для бытовых целей. **Запрещено применять его для работ, требующих применения профессионального инструмента.**

Каждое применение устройства, несоответствующее указанному выше назначению, освобождает производителя от ответственности и отсутствию ответственности производителя за возникший в результате этого ущерб.

Какие-либо модификации устройства, выполненные пользователем, освобождают производителя от ответственности за повреждения и ущерб, причинённый пользователю и окружающей среде.

Даже применяя устройство по назначению, нельзя полностью исключить определённых факторов остаточного риска. С учётом конструкции устройства может иметь место следующая опасность:

- прикосновение рукой или одеждой оператора к вращающемуся наконечнику;
- возможность ожога при смене рабочего наконечника (во время работы наконечник (бит) разогревается до высокой температуры, для избежания ожога при его замене надо пользоваться щипцами и надеть защитные перчатки);
- отбрасывание завинчиваемого винта.

■ Состав комплекта:

- Электродрель-шуруповёрт - 1 шт.
- Ограничитель глубины завинчивания - 1 шт.
- Транспортный кейс - 1 шт.
- Инструкция по эксплуатации - 1 шт.
- Гарантийная карта - 1 шт.

■ Элементы устройства (см. стр. 2):

- Рис. А 1.** Наконечник для завинчивания (бит)*
2. Втулка ограничителя глубины
 3. Регулятор ограничителя глубины
 4. Ограничитель глубины завинчивания
 5. Клипс для зацепления на ремень
 6. Переключатель направления вращения
 7. Включатель
 8. Блокировка выключателя
 9. Рукоятка
 10. Кабель питания

Рис. В 11. Магнитный универсальный держатель*

12. Патрон ¼" с шестигранным гнездом

* Оснащение, представленное на рисунках или описанное в тексте не входит в состав стандартной оснастки.

ТЕХНИЧЕСКИЕ ПАРАМЕТРЫ:

Напряжение питания	230 В
Частота тока питания	50 Гц
Потребляемая мощность	500 Вт
Частота вращения без нагрузки	0-1600 об/мин
Макс. диаметр винтов /болтов	6 мм (¼")
Класс оборудования	II/□
Вес	1,5 кг
Уровень звукового давления (LpA)	86 дБ(A)

Уровень звуковой мощности (LwA)	97 дБ(А)
Коэффициент погрешности измерений LpA, LwA	3 дБ(А)
Уровень вибрации согласно стандарту EN 60745-1 (коэффициент погрешности измерений - 1,5 м/с²)	2,32 м/с²

Указанный уровень вибрации соответствует основным применениям электроинструмента. Если электроинструмент будет использован для других применений или с другими рабочими инструментами, а также, если не будет выполнен соответствующий технический уход, уровень вибрации может отличаться от указанного. Указанные выше причины могут привести к усилению воздействия вибраций в течение всего времени работы.

Необходимо применять дополнительные меры безопасности с целью защиты оператора от воздействия вибрации, а именно: технический уход за электроинструментом и рабочими инструментами, обеспечение соответствующей температуры рук, определение очередности рабочих операций.

ПРЕЖДЕ ЧЕМ ПРИСТУПИТЬ К РАБОТЕ:

1. Убедиться, что параметры источника питания соответствуют параметрам устройства указанным на паспортной табличке.
2. Убедиться, что выключатель шуруповёрта (7) находится в положении «выключено» и блокировка выключателя (8) отключена. Запрещается откладывать работающий электроинструмент, когда выключатель заблокирован в позиции включения. Отключение блокировки производится повторным нажатием выключателя (7).
3. При работе с удлинителем шнура электропитания необходимо убедиться, что его параметры, сечение проводов соответствуют параметрам шуруповёрта. Рекомендуется применять максимально короткие удлинители. Удлинитель должен быть полностью размотан.

■ Замена рабочей оснастки (Рис. В):

ОСТОРОЖНО: Перед выполнением любых работ связанных с обслуживанием или подготовкой устройства к работе убедитесь, что инструмент отсоединен от сети электропитания.

Для удаления рабочего наконечника (1) из патрона следует сперва снять ограничитель глубины завинчивания (4) сдвинув его вперед. Потом ухватить бит плоскогубцами и вытянуть его из магнитного держателя (11). Иногда расшатывание бита может облегчить его демонтаж. По мере необходимости можно также вынуть и заменить универсальный держатель (11).

■ Переключение направления вращения (Рис. А1)

ВНИМАНИЕ: Переключатель направления вращения (6) можно переустановить лишь когда электроинструмент выключен.

С помощью переключателя (6) можно изменить направление вращения электроинструмента. Это невозможно однако, когда нажат выключатель (7) устройства.

Вращение вправо: Для ввинчивания винтов надо переместить переключатель направления вращения (6) в левую сторону (смотря сзади шуруповёрта) до упора (позиция R).

Вращение влево: Для вывинчивания или ослабления винтов надо переместить переключатель направления вращения (6) в правую сторону (смотря сзади шуруповёрта) до упора (позиция L).

■ Установка глубины завинчивания (см. рис. С)

С помощью регулятора глубины вращения (3) можно установить глубину погружения винта в материал.

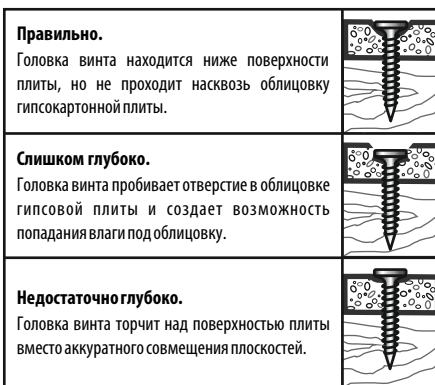
Вращение регулятора (3) по часовой стрелке (смотря сзади шуруповёрта) увеличивает глубину завинчивания, вращение против часовой стрелки (смотря сзади шуруповёрта) уменьшает глубину завинчивания.

Полный поворот регулятора ограничителя глубины изменяет глубину завинчивания примерно на 1,5 мм.

Регулятор (3) надо установить таким образом, чтобы расстояние между концом втулки ограничителя глубины (2) и головкой винта составляло около 1,5 мм, как показано на рисунках D1 или D2.

Ввинтите пробный винт в материал или в образцовый элемент. Если глубина завинчивания винта не соответствует требованиям надо отрегулировать глубину так, чтобы установка была правильной.

Правильная установка глубины завинчивания очень важна. Примеры загонки винта с потайной головкой в гипсокартонную плиту представлены в нижеследующей таблице:



РАБОТА:

■ Включение/выключение:

Включить вилку в розетку электросети.

- Для включения электроприбора надо нажать выключатель (7) и удерживать его в такой позиции.
- Для зафиксирования выключателя в позиции включения надо нажать кнопку блокировки (8).
- Для выключения электроприбора надо отпустить выключатель (7), либо, если он был зафиксирован кнопкой блокировки (8), повторно его нажать и отпустить.

■ Изменение скорости вращения

Увеличивая или уменьшая нажим на выключатель (7) можно плавно регулировать частоту вращения.

При слабом нажиме на выключатель скорость вращения будет малой. При более сильном нажиме скорость вращения увеличивается.

УКАЗАНИЯ КАСАЮЩИЕСЯ РАБОТЫ:

ВНИМАНИЕ: Шуруповёрт устанавливать на винт только в выключенном состоянии.

Для вкручивания длинных винтов большого диаметра в твердый материал рекомендуется просверлить сначала направляющее отверстие. Оно должно быть немного глубже длины винта и иметь диаметр меньше, чем наружный диаметр винта.

Если шуруп находится вблизи края материала, выполнение направляющего отверстия предотвращает возможное откалывание материала.

Если при ввинчивании появляются трудности с углублением шурупа, необходимо вывинтить шуруп и несколько увеличить направляющее отверстие.

Если ввинчивание и дальше происходит с трудом (это может иметь место в случае твердых древесных пород) необходимо попытаться использовать смазывающее средство (напр. мыльный раствор). Нужно оказывать необходимый нажим на дрель-шуруповерт, чтобы не допустить вращения отвёрточного наконечника относительно головки шурупа. Применять отвёрточные наконечники точно подходящие к головке шурупа. Повреждение гнезда шурупа может сделать невозможным его ввинчивание или вывинчивание.

Нужно оказывать необходимый нажим на шуруповерт, чтобы не допустить вращения отвёрточного наконечника относительно головки шурупа. Применять отвёрточные наконечники точно подходящие к головке шурупа. Повреждение гнезда шурупа может сделать невозможным его ввинчивание или вывинчивание.

- Установить винт на наконечник для завинчивания (бит) (1). Винты автоматически придерживаются магнитной силой магнитного держателя битов (11). Носик винта вдавить в обрабатываемый материал до момента, пока ограничитель глубины завинчивания (4) коснется поверхности материала.
- Включить электроинструмент и начать загонку винта в материал, вплоть до достижения установленной заранее глубины. Привод будет выключен и магнитный держатель прекратит вращаться. Проверить глубину завинчивания и отрегулировать по мере необходимости.
- Для выкручивания (ослабления) винтов необходимо, с помощью переключателя направления вращения (6), установить функцию «Вращение влево» и снять ограничитель глубины завинчивания, стянув его вперед.
- После подгонки глубины завинчивания, возможна также работа без снятия ограничителя глубины завинчивания (4).

■ Клипс для зацепления на ремень

С помощью клипса (5) электроинструмент можно подвесить, например, на ремне. Благодаря этому, обе руки оператора будут свободны, а шуруповерт будет всегда находится под рукой.

ХРАНЕНИЕ И ТЕХНИЧЕСКИЙ УХОД:

Машина в принципе не требует специальных процедур по техническому уходу. Следует хранить её в месте, недоступном для детей, содержать в чистоте, защищать от влаги и попадания пыли. Условия хранения должны исключать возможность механических повреждений и влияния атмосферных условий.

■ Чистка:

ВНИМАНИЕ: Перед выполнением любых работ связанных с очисткой или обслуживанием электроинструмента необходимо

извлечь штепсельную вилку кабеля питания из сетевой розетки.

Для обеспечения безопасной и высокопроизводительной работы необходимо содержать электроинструмент и его вентиляционные отверстия в чистоте.

Рекомендуется выполнять очистку машины непосредственно после каждого применения.

Наружные пластмассовые части инструмента можно протирать влажной тряпкой с небольшим количеством мягкого моющего средства. НИКОГДА пользуйтесь растворителями, так как они могут повредить пластмассовые части корпуса машины. Следите, чтобы вода не попадала вовнутрь устройства.

После очистки необходимо подождать, пока машина полностью не высохнет.

ТРАНСПОРТИРОВКА:

Электроинструмент следует транспортировать и складировать в транспортном кейсе, защищающем от влаги, проникновения пыли и мелких объектов, особенно необходимо защитить вентиляционные отверстия. Мелкие элементы, попавшие внутрь корпуса, могут повредить двигатель.

ТИПИЧНЫЕ НЕИСПРАВНОСТИ И ИХ УСТРАНЕНИЕ:

Шуруповерт не включается либо прерывает работу:

- проконтролировать, правильно ли присоединён кабель электропитания (10) и проверить предохранители;
- проверить состояние угольных щёток и, в случае необходимости, заменить.

ВНИМАНИЕ! Замену угольных щёток может выполнить только электрик соответствующим допуском.


- если электроинструмент не работает несмотря на наличие напряжения питания, необходимо передать его в ремонтный сервисный пункт по адресу, указанному в гарантийной карте.

ПРОИЗВОДИТЕЛЬ:

ООО «ПРОФИКС», ул. Марьевильска 34, 03-228 Варшава, ПОЛЬША
Настоящее устройство соответствует польским и европейским стандартам, а также указаниям по технике безопасности.

Все работы по ремонту должны выполняться квалифицированным персоналом с применением оригинальных запасных частей.

ЗАЩИТА ОКРУЖАЮЩЕЙ СРЕДЫ:

 **ВНИМАНИЕ:** Указанный символ означает запрет размещения использованных электроинструментов вместе с другими отходами (за это грозит наказание в виде штрафа). Опасные компоненты, имеющиеся в электрическом и электронном оборудовании, отрицательно влияют на окружающую среду и здоровье.

Домашнее хозяйство должно способствовать восстановлению и повторному использованию (рециклированию) использованного оборудования. В Польше и в Европе создаётся или уже существует система сбора использованного оборудования, предусматривающая, что все пункты продажи в/у оборудования обязаны принимать использованное оборудование. Кроме того, имеются пункты приёма в/у оборудования.




Настоящая инструкция по эксплуатации защищена авторскими правами. Запрещено её копирование и размножение без согласия ООО «ПРОФИКС».



ÎNAINTE DE UTILIZARE, CITIȚI ACESTE INSTRUCIUNI.

Păstrează instrucțiunile pentru a folosi viitoare.

ATENȚIE! Citește toate avertismentele referitoare la protecția muncii marcate cu simboluri  și toate indicațiile referitoare la utilizarea în siguranță.

Nerespectarea avertismentelor de mai jos, poate duce la accidente și la electrocutare, incendiu și/sau la vătămări corporale.

Păstrează toate avertismentele și indicațiile referitoare la protecția muncii, pentru a le folosi în viitor.

În avertismentele de mai jos, termenul "unealtă electrică" înseamnă unealtă care este alimentată de la rețea (cu cablu de alimentare) sau unealtă electrică alimentată din baterie (fără cablu).



ATENȚIE! Reguli generale de protecție a muncii.

Și siguranța la locul de muncă:

- La locul de muncă păstrează curățenie și bună iluminare. Zonele și bancurile de lucru aglomerate cheamă accidente.
- Nu utilizezi unealta electrică în atmosferi explozive, formate din lichide inflamabile, gaze sau lichide. Unelata electrică produce scântei, care pot aprinde praful sau aburii.
- Țineți copiii departe de lucrurile în care unealta electrică este folosită. Distragerea atenției poate duce la pierderea atenției asupra unelei electrice.



ATENȚIE! Reguli generale cu privire la utilizarea în siguranță a unelei.

Și siguranța electrică:

- Ștecherul unelei electrice trebuie să fie conforme cu priza. Este interzisă modificarea ștecherului. Este interzisă utilizarea prelungitoarelor în cazul uneltelor electrice cu cablu de legare la pământ de protecție. Nemodificarea ștecherelor și a prizelor măsoară riscul de electrocutare.
- Evitați să atingeți suprafața de împământare sau conectările la masă, cum ar fi conducte, radiatoare, radiatoare de încălzire centrală și frigidere. În cazul atingerii părților împământate, crește riscul de electrocutare.
- Nu expuneți sculele electrice în condiții de ploaie sau mediu umed. În caz de infiltrație cu apă, crește riscul de electrocutare.
- Nu abuzați de cablurile de conectare. Nu folosiți cablul de alimentare la mutarea, tragerea unelei sau tragerea ștecherului din priză. Păstrați cablul de alimentare departe de surse de căldură, ulei, mυχii ascuțite sau părți în mișcare. Cablurile deteriorate sau încurcate cresc riscul de electrocutare.
- În cazul în care unealta electrică este folosită în aer liber, conectarea trebuie efectuată cu ajutorul prelungitorului destinat funcționării în aer liber, măsoară riscul de electrocutare.
- Vă recomandăm să racordați aparatul la o rețea electrică dotată cu un comutator cu curent diferențial (RCD) cu amperaj de acționare de 30mA sau mai mic.
- În cazul în care unealta electrică este folosită în mediu umed, este inevitabilă, utilizarea unui dispozitiv de protecție împotriva tensiunii de alimentare, cum ar fi aplicarea unui

dispozitiv de curent rezidual (RCD). Folosirea RCD măsoară riscul de electrocutare.



ATENȚIE! Avertismente generale cu privire la siguranța folosirii unelei.

Și siguranță personală:

- Acest echipament nu este destinat utilizării de către persoane (inclusiv copii) cu abilități fizice reduse, senzoriale sau mentale, sau de persoane care nu au experiență sau nu cunosc echipamentul, cu excepția cazului în care are loc sub supraveghere sau în conformitate cu instrucțiunile de folosire a echipamentului, de către o persoană responsabilă pentru siguranța lor.
- Trebuie să fii atent, să avari grijă ce faci și să păstrați bun simț în timpul folosirii unelei electrice. Nu folosiți unealta electrică, când sunteți oboșiți sau sub influența drogurilor, alcoolului sau a medicamentelor. Un moment de neatenție în timpul lucrului cu unelata electrică poate cauza vătămări personale grave.
- Folosiți echipament de protecție. Purtați întotdeauna ochelari de protecție. Folosind echipamentul de protecție cum ar fi masca de praf, pantofi cu anti-alunecare, căști sau protecție auditivă, măsoară riscul de vătămare.
- Evitați pornirea accidentală. Înainte de conectarea la sursa de alimentare și/sau înainte de conectarea bateriei și înainte de ridicarea sau mutarea unelei asigurativă că comutatorul unelei electrice este în poziția oprită. Mutarea unelei electrice cu degetul pe comutator sau conectarea unelei electrice la rețeaua de alimentare în poziția pornită poate provoca un accident.
- Înainte de pornirea unelei electrice îndepărtați toate uneltele din apropiere. Lăsarea de unelte pe părțile de mișcare ale unelei electrice poate duce la vătămări corporale.
- Nu vă aplecați prea mult. Trebuie să stați sigur și să mențineți echilibrul. Acest lucru va permite un control mai bun asupra unelei electrice în situații neașteptate.
- Îmbrăcați-vă corespunzător. Nu purtați haine largi sau bijuterii. Țineți părul strâns, hainele și mânușile departe de părțile în mișcare. Hainele largi, bijuteria sau părul lung se pot agăța de părțile în mișcare.
- Dacă echipamentul este potrivit pentru conectarea extractorului de praf extern și a colectorului de praf, asigurați-vă că acestea sunt conectate și folosite corect. Folosirea colectorului de praf poate reduce riscul de pericole legate de praf.



ATENȚIE! Avertismente generale cu privire la folosirea în siguranță a unelei.

Utilizarea și îngrijirea unelei electrice:

- Nu supraîncărcați unealta electrică. Utilizați o unealtă electrică în funcție de puterea necesară muncii efectuate. Unealta electrică corectă va permite o funcționare mai bună și este sigură în cazul însărcinării, pentru care a fost proiectată.
- Este interzisă utilizarea unelei electrice dacă comutatorul nu pornește și nu oprește unealta. Fiecare unealtă electrică care nu pornește sau nu se oprește este periculoasă și trebuie reparată.

- c) **Deconectați ștecherul de la sursa de alimentare a unelei electrice și/sau deconectați bateria înainte de orice setare, schimbare de părți sau depozitare.** Aceste mijloace de protecție reduc riscul unei porniri accidentale a unelei electrice.
- d) **Unealta electrică nefolosită trebuie depozitată departe de copii și nu trebuie împrumutată persoanelor care nu cunosc unealta electrică sau care nu au citit această instrucție de folosire a unelei electrice.** *Unelata electrică este periculoasă când este folosită de o persoană fără experiență.*
- e) **Unelata electrică trebuie bine întreținută. Trebuie controlată alinierea sau burierea pieselor în mișcare, ruperea pieselor și alți factori care pot avea influență la funcționarea unelei electrice.** Dacă găsim o deteriorare, unelata electrică înaintea folosirii trebuie reparată. *Cauza multor accidente este întreținerea necorespunzătoare a unelei electrice.*
- f) **Uneltele de tăiere trebuie să fie ascuțite și curate.** *Întreținerea părților ascuțite ale uneltelor de tăiere reduce riscul de blocare în material și ușurează folosirea.*
- g) **Unelata electrică, echipamentul, uneltele de lucru, etc. trebuie folosite în conformitate cu această instrucție, ținând cont de tipul și condițiile de lucru.** *Utilizarea unelei electrice în alt mod decât este destinația, poate duce la situații periculoase.*
- h) **La temperaturi scăzute, sau după o perioadă îndelungată de nefolosire, este recomandată pornirea unelei electrice fără sarcină pentru câteva minute pentru a distribui corect unsoarea în mecanismul de transmisie.**
- i) **Pentru curățirea unelei electrice folosiți o cârpă moale, umedă (nu udă) și săpun. Nu folosiți benzină, diluanți sau alte mijloace care pot deteriora echipamentul.**
- j) **Unelata electrică trebuie depozitată/transportată numai după ce ne-am asigurat că toate elementele în mișcare sunt blocate și asigurate cu ajutorul elementelor originale destinate blocării.**
- k) **Unelata electrică trebuie păstrată într-un loc uscat, asigurat împotriva prafului și a umezelii.**
- l) **Transportul unelei electrice trebuie să aibă loc în ambalajul original, asigurat împotriva deteriorărilor mecanice.**



ATENȚIE! Avertismente generale cu privire la folosirea în siguranță a unelei.

Repararea:

- a) **Reparații în garanție și postgaranție ale uneltelor dumneavoastră electrice sunt efectuate de Service-ul PROFIX, ceea ce garantează calitatea cea mai ridicată a reparațiilor și utilizarea de piese originale de schimb.**



ATENȚIE! ȘURUBELNIȚA ELECTRICĂ, avertizări referitoare la siguranță –

Siguranța personală:

- a) **Folosiți protecție auditivă în timpul utilizării șurubelniței.** *Expunerea la zgomot poate provoca pierderea auzului.*
- b) **În timpul utilizării, în cazul în care șurubul poate nimerii cabluri ascunse electrice, unelata electrică trebuie ținută de părțile izolate ale mânerului.** *Contactul cu cablul rețelei de*

alimentare aflate sub tensiune poate cauza transmiterea tensiunii pe părțile metalice ale unelei electrice, fapt ce poate cauza electrocutarea.

- c) **Utilizați instrumente adecvate de localizare a cablurilor ascunse de alimentare sau cereți ajutor de la instituțiile municipale.** *Contactul cu cablurile aflate sub tensiune poate cauza apariția incendiului sau electrocutarea. Deteriorarea țevii de gaz poate cauza explozie. Perforarea conductei de apă și canalizare poate cauza pagube materiale sau electrocutare.*
- d) **Asigurați elementul prelucrat.** *Asigurați-vă că toate elementele de fixare sunt bine strânse și verificați să nu fie prea mari distanțe. Fixarea elementului prelucrat în echipamentul de fixare sau menținută este mai sigur decât ținerea elementului cu mâna.*
- e) **Țineți puternic unelata electrică, menținând o poziție stabilă.** *În timp ce strângeți sau slăbiți strângerea șuruburilor poate apărea cuplu de mare reacție de scurtă durată.*
- f) **Înainte de așezarea unelei electrice pe banc, așteptați până unelata se oprește.** *Unelata folosită se poate bloca și duce la pierderea controlului asupra acesteia.*
- g) **Nu este permisă utilizarea aparatului electric cu cablu de alimentare deteriorat. Nu atingeți cablul deteriorat; în cazul în care cablul se deteriorează în timp ce folosiți aparatul trebuie să scoateți ștecherul din priză.** *Cablurile deteriorate măresc riscul de electrocutare.*

ATENȚIE! *În cazul în care cablul de alimentare nedemontabil se deteriorează, trebuie înlocuit cu un cablu special sau cu ansamblu disponibil la producător ori într-un atelier de reparații specializat.*

CONSTRUCȚIA ȘI DESTINAȚIA ȘURUBELNIȚEI:

Șurubelnița electrică este o unelată electrică manuală, acționată cu motor monofazat, cu întrerupător. Dispozitivul de clasă a doua (izolare dublă).

Șurubelnița electrică este destinată înșurubării și deșurubării rapide a șuruburilor în timpul montării plăcilor de carton gips, lemn moale, materiale plastice, etc...

Șurubelnița electrică este destinată numai pentru uz casnic amator. **Este interzisă folosirea unelei pentru executarea de lucrări care necesită unelte profesionale.**

Fiecare utilizare a aparatului neconformă cu destinația acestuia, astfel ca a fost descrisă mai sus, este interzisă și duce la pierderea garanției și lipsa răspunderii producătorului pentru pagubele apărute în aceste cazuri.

Toate modificările aparatului efectuate de utilizator îl exceptă pe producător de responsabilitate pentru pagubele provocate utilizatorului și mediului.

În ciuda utilizării în conformitate cu destinația, nu pot fi eliminați în totalitate anumiți factori de risc. Datorită construcției și proiectării, putem întâlni următoarele pericole:

- atingerea în timpul lucrului a unelei de lucru în rotație cu mâna sau îmbrăcăminte operatorului;
- arsuri în timpul schimbării capului de lucru. (În timpul funcționării capul de încălzește puternic, pentru a evita arsurile, în timpul înlocuirii folosiți clește și mănuși de protecție);
- aruncarea șurubului.

■ **Completare:**

- Șurubelnița electrică - 1 buc.
- Limitator de adâncime de înșurubare - 1 buc.
- Cutie transportare - 1 buc.
- Instrucții de folosire - 1 buc.
- Fișa de garanție - 1 buc.

■ **Elementele uneltei** (vezi pag. 2):

Des. A 1. Capătul de înșurubare (bit)*


2. Manșonul limitatorului de adâncime
3. Potențiometrul limitatorului de adâncime
4. Limitator de adâncime de înșurubare
5. Centură clip
6. Comutator direcție de rotire
7. Întrerupător
8. Blocada întrerupătorului
9. Mâner
10. Cablu de alimentare

Des. B 11. Mandrină universal magnetic*

12. Mandrină $\frac{1}{4}$ " cu cap hexagon

* **Echipamentul prezentat în figuri sau descris nu intră în cadrul echipamentului standard.**

DATE TEHNICE:

Tensiunea de alimentare	230 V
Frecvența de alimentare	50 Hz
Puterea	500 W
Viteza de rotire în gol	0-1600 /min
Max. diametru șuruburi/bolțuri	6 mm ($\frac{1}{4}$ ")
Clasa echipamentului	II/ 
Greutatea	1,5 kg
Nivelul presiunii acustice (LpA)	86 dB(A)
Nivelul puterii acustice (LwA)	97 dB(A)
Toleranță de măsurare LpA, LwA	3 dB(A)
Nivelul de vibrare conform normie EN 60745-1 (toleranță de măsurare - $1,5 \text{ m/s}^2$) înșurubare fără rotopercuție a_h	2,32 m/s^2

Nivelul menționat de vibrații este reprezentativ pentru utilizarea aparatului electric. Dacă aparatul electric va fi utilizat pentru alte scopuri sau cu alte instrumente de lucru precum și dacă nu va fi întreținut corespunzător, nivelul de vibrații ar putea diferi de cel indicat. Motivele indicate mai sus pot duce la sporirea nivelului de expunere la vibrații pe toată durata timpului de funcționare.

Trebuie să introduceți mijloace adiționale de siguranță, care au scopul de a proteja operatorul de efectele de expunere la vibrații, de ex.: întreținere aparat electric și instrumente de lucru, asigurarea temperaturii corespunzătoare a mâinilor, stabilirea ordinii operațiilor de muncă.

PREGĂTIRE DE FUNCȚIONARE:

1. Asigurați-vă că parametrii alimentării sunt corespunzători parametrilor indicați pe tabelul nominal al uneltei.
2. Asigurați-vă că întrerupătorul șurubelniței (7) este în poziția oprit și blocada întrerupătorului (8) este eliberată. Este interzisă lăsarea șurubelniței în lucru când blocada este pornită. Oprirea blocadei are loc prin apăsarea suplimentară a întrerupătorului (7).

3. În cazul utilizării de prelungitoare, asigurați-vă că parametrii prelungitorului, secțiunile cablurilor, corespund parametrilor șurubelniței. Se recomandă folosirea de prelungitoare cât mai scurte posibil. Prelungitorul trebuie să fie în întregime desfășurat.

■ **Înlocuirea uneltelor de lucru** (fig. B):

ATENȚIE: Înainte de începerea curățării și întreținerii asigurați-vă că *unealta este deconectată de la rețeaua de alimentare.*

Pe urma a deșuruba capătul (1) din mandrină, trebuie mai întâi demontat limitatorul de adâncime de înșurubare (4), trăgându-l în față. Apoi prindem capătul cu cleștele și îl extragem din mandrina magnetică (11). Balansăm cleștele în timpul extragerii, poate ajuta în extragerea capătului. Dacă va fi nevoie, putem deasemenea extrage și înlocui mandrina universală (11).

■ **Setarea direcției de rotație** (fig. A1)

ATENȚIE: Mutați comutatorul direcției de rotare (6) doar dacă *unealta electrică este oprită.*

Comutatorul direcției de rotare (6) poate schimba direcția de rotare a uneltei electrice. Dacă întrerupătorul (7) este apăsat, atunci este imposibil.

Sens de dreapta: Pentru înșurubarea șuruburilor trebuie apăsat comutatorul direcției de rotare (6) în stânga (vezi în spatele șurubelniței) până la capăt (poziția R).

Sens de stânga: Pentru a elibera sau deșuruba șuruburi sau piulițe trebuie apăsat comutatorul direcției de rotare (6) în dreapta (vezi în spatele șurubelniței) până la capăt (poziția L).

■ **Setarea adâncimii de înșurubare** (vezi fig. C)

Cu ajutorul potențiometrului limitatorului de adâncime (3) putem seta adâncimea de înșurubare a capului șurubului în material.



Răscucirea potențiometrului (3) în direcția acelor de ceasornic (vezi din spatele șurubelniței), mărește adâncimea de înșurubare, răscucirea în direcția opusă acelor de ceasornic (vezi din spatele șurubelniței) micșorează adâncimea de înșurubare.

Rotirea în întregime a limitatorului de adâncime duce la zmiana adâncimii cu 1,5 mm.

Setează potențiometrul (3) așa încât distanța dintre capătul flanșei limitatorului de adâncime (2) și capul șurubului să fie aproximativ 1 mm, cum este indicat în fig. D 1 sau D 2.

Înșurubează un șurub de probă în material sau în elementul substituent. Dacă adâncimea nu este corectă pentru șurub, execută o nouă setare, astfel încât setarea adâncimii să fie corectă.

Setarea corectă a adâncimii de înșurubare este foarte importantă. Exemple de înșurubare a șuruburilor cu capăt ascuns de placa de gips carton sunt indicate în tabela de mai jos:

Corect. Capul șurubului se află sub suprafață, în același timp nu străpunge suprafața plăcii de gips.	
Prea adânc. Capul șurubului străpunge suprafața plăcii de gips și face posibilă intrarea umezelii sub acoperire.	

Prea superficial.

Capul șurubului iese în afara suprafeței plăcii, în loc să le acopere etanș.



- Pentru a **opri** unealta electrică, eliberați întrerupătorul (7), sau când este blocat cu butonul de blocare (8), apăsați scurt întrerupătorul și apoi eliberați-l.

■ Reglarea vitezei de rotire

Prin mărirea sau micșorarea apăsării pe întrerupător (7) putem regla viteza de rotire. O ușoară apăsare pe întrerupător duce la o viteză de rotație mică. Apăsare mărită, mărește viteza de rotație.

INDICAȚII REFERITOARE LA UTILIZARE:

ATENȚIE: Unealta electrică trebuie așezată pe șurub doar atunci când este oprită.

La înșurubarea șuruburilor mari și lungi în material tare, recomandăm executarea mai întâi a orificiului de direcționare, puțin mai adânc decât lungimea șurubului și cu diametrul mai mic decât diametrul exterior al acestuia. În cazul în care diblul se află în preajma marginii materialului, pregătirea unui asemenea orificiu îndepărtează riscul de desprindere nedorită a unui fragment de material.

Dacă înșurubând diblul veți întâlni vreo problemă, scoateți-l și măriți puțin orificiul.

Dacă înșurubarea în continuare merge cu greutate (ce să poate întâmpla în cazul speciilor de lemn mai dure), încercați un unguent (ex. săpun lichid). Apăsați corespunzător pe mașina de înșurubat ca să evitați rotirea prinderii împreună cu capătul șurubelniței. Utilizați capetele care se potrivește exact cu capătul șurubelniței. Deteriorarea prinderii șurubelniței poate provoca imposibilitatea de a înșuruba sau deșuruba.

- Așezați șurubul pe capătul de înșurubare (1). șurubul este automat menținut de către forța magnetică a mandrinei de unelte (11). Apăsați capătul șurubului în materialul prelucrat până când limitatorul adâncimii de înșurubare (4) atinge suprafața.
 - Pornește unealta electrică. Începe înșurubarea șurubului în material, până la atingerea adâncimii setate. Unealta se oprește; mandrina de unelte se oprește din rotire. Controlați adâncimea de înșurubare și dacă este necesar reglați.
 - Pentru înșurubarea șuruburilor setați funcția «rotații în stânga» cu ajutorul comutatorului de rotații (6) și demontați limitatorul de adâncime (4), prin tragere în față.
- După setarea adâncimii de înșurubare, este posibilă funcționarea cu limitatorul de adâncime montat (4).

■ Centură clip

Cu ajutorul dipului (5) puteți agăța unealta electrică de exemplu de centură. Mulțumită acestui lucru, aveți ambele mâini libere iar unelata electrică se află la îndemână.

DEPOZITARE ȘI MENTENANȚĂ:

Aparatul practic nu necesită o întreținere specială.



Politica firmei PROFIX este aceea de perfecționare continuă a produselor sale și de aceea firma își rezervă dreptul de modificare a specificației produsului fără înștiințarea anterioară. Imaginile indicate în instrucțiunile de utilizare sunt doar exemple și se pot diferi puțin de aspectul real al dispozitivului achiziționat.

Prezenta instrucțiune este protejată prin dreptul de autor. Copierea/înmulțirea fără acordul în scris al firmei PROFIX Sp. z.o.o. este interzisă.

Aparatul trebuie depozitat într-un loc care nu se află la îndemâna copiilor, menținut curat, ferit de umiditate și de praf. Condițiile de depozitare trebuie să excludă posibilitatea de deteriorare mecanică sau influența factorilor atmosferici.

■ Curățire

ATENȚIE! Înainte de începerea curățirii și întreținerii asigurați-vă că unelata este deconectată de la rețeaua de alimentare.

Pentru a asigura o funcționare sigură și cu randament, unelata electrică și orificiile de ventilare trebuie ținute curate.

Recomandăm curățirea uneltei imediat după folosire. Părțile exterioare de plastic pot fi curățate cu ajutorul unei cârpe moi, umedă și delicată. NICIODATĂ nu folosiți mijloace de curățire sau diluanți; pot deteriora unele părți ale polizorului din material plastic. Aveți atenție ca apa să nu intre în interior.

După curățire așteptați până șurubelnița este uscată integral.

TRANSPORT:

Șurubelnița trebuie transportată și depozitată în ambalaj care o protejează împotriva umezelii, prafului și a obiectelor mici, mai ales trebuie asigurate orificiile de ventilare. Elementele mici care infiltră carcasa pot duce la distrugerea motorului.

DEFECȚIUNI TIPICE ȘI SOLUȚIONAREA ACESTORA:

Șurubelnița nu funcționează sau «întrerupe»:

- controlați dacă cablul de alimentare (10) este conectat corect sau controlați siguranțele.
- controlați și înlocuiți periile de carbon.

ATENȚIE! Înlocuirea periilor de carbon poate fi efectuată doar de un electric autorizat.

- dacă unelata electrică nu funcționează, chiar dacă este conectată la alimentare, trebuie trimisă la un service autorizat pe adresa indicată în fișa de garanție.

PRODUCĂTOR:

PROFIX Sp. z.o.o., str. Marywilska 34, 03-228 Varșovia, POLONIA

Prezentul utilaj este făcut conform normelor naționale și europene, precum și indicilor de siguranță.

Toate reparațiile trebuie efectuate de un personal calificat, folosindu-se piesele de schimb originale.

PROTECȚIA MEDIULUI:



ATENȚIE: Simbolul prezentat înseamnă interdicția punerii echipamentelor uzate împreună cu celelalte deșuri menajere (sub risc de amendă). Componente periculoase care fac parte de utilaje electrice și electronice dăunează mediul natural și sănătatea omului.


Fiecare menaj ar trebui să participe la recuperarea și reciclarea utilajelor uzate. În Polonia și în Europa se formează sau există deja niște sisteme de colectare a utilajelor uzate, în cadrul căruia toate punctele de vânzare ale utilajelor citate sunt obligate să primească utilajele uzate înapoi. În plus, există și punctele specializate în colectarea asemenea utilajelor.



PIRMS DARBA SĀKUMA NEPIECIEŠAMS IEPAZĪTIES AR ŠO INSTRUKCIJU.

Saglabā instrukciju varbūtējai turpmākai lietošanai.



BRĪDINĀJUMS! Nepieciešams izlasīt visus brīdinājumus apzīmētus ar simboliem , kuri attiecas uz lietošanas drošību un visus lietošanas drošības norādījumus.

Neievērojot zemāk uzrādītos drošības brīdinājumus un norādījumus attiecībā uz drošību var būt par elektriskās strāvas triecienu, ugunsgrēku un/vai nopietnu traumu iemeslu.

Ievērot visus brīdinājumus un norādījumus attiecībā uz drošību, lai tos turpmāk varētu izmantot.

Zemāk uzrādītos brīdinājumus „elektroinstruments” nozīmē elektroinstrumentu, kurš tiek barots no elektriskā tīkla (ar barošanas vadu) vai elektroinstruments barots no akumulatora (bezvadu).



BRĪDINĀJUMS! Vispārējie instrumenta drošas lietošanu norādījumi.

Darba vietas drošība:

- Darba vietā nepieciešams uzturēt kārtību un labu apgaismojumu. Nekārtība un slikts apgaismojums ir negadījumu iemesls.
- Nedrīkst lietot elektroinstrumentu sprāgstošā, viegļi uzliesmojošā, gāzu putekļainā vidē. Elektroinstrumenta darbības laikā rodas dzirksteles, no kurām var aizdegties putekļi un tvaiki.
- Vietā, kur tiek lietoti elektroinstrumenti nevar atrasties bērni un novērotāji. Novērot uzmanību var zaudēt kontroli par elektroinstrumentu.



BRĪDINĀJUMS! Vispārējie instrumenta drošas lietošanu norādījumi.

Elektriskā drošība:

- Elektroinstrumenta kontaktdakšīnām jābūt pielāgotām pie kontaktligzdām. Nekad nekādā gadījumā nedrīkst mainīt kontaktdakšīņu. Nedrīkst lietot nekādus pagarinātājus gadījumā, ja elektroinstruments ir apgādāts ar vadu ar aizsardzības iezemējuma dzislu. Ja netiek darītas kontaktdakšīņu un kontaktlīdžu izmaiņas, tas samazina elektriskā triecienu risku.
- Nepieciešams izvairīties no iezemētām virsmām vai savienotām ar masu, kā piemēram caurules, sildītāji, centrālplauknes radiatoru un dzesinātāji. Gadījumā, ja notiek kontakts ar iezemētām vai ar masu savienotām daļām pieaug elektriskās strāvas triecienu risks.
- Nedrīkst pakļaut elektroinstrumentus uz lietus vai mitruma iedarbību. Gadījumā, ja elektroinstrumentā iekļūst ūdens pieaug elektriskās strāvas triecienu risks.
- Nedrīkst pārslogot savienojuma vadus. Nekad nedrīkst lietot savienojuma vadu elektroinstrumenta pārnēsāšanai, vilkšanai vai izvilkēt kontaktdakšīņu no kontaktlīdzes aiz vada. Nepieciešams turēt savienojuma vadu tālu no siltuma avotiem, eļļainām, asām šķautnēm vai kustīgām daļām. Bojāti

vai sapīti savienojuma vadi palielina elektriskās strāvas triecienu risku.

- Gadījumā, ja elektroinstruments tiek lietots ārpusē, savienojuma vadus nepieciešams pagarināt ar pagarinātājiem, kuri ir piemēroti darbam ārpusē. Lietojot pagarinātājus piemērotus darbam ārpusē samazinās elektriskās strāvas triecienu risks.
- Ieteicams ierīci pievienot pie elektriskā tīkla, kurš ir aprīkots ar RCD slēdzi ar 30mA vai mazāku izslēgšanas strāvu.
- Gadījumā, ja ir nepieciešamība lietot elektroinstrumentu mitrā vidē, par sprieguma aizsardzību nepieciešams lietot strāvas starpības ierīci (RCD). Lietojot RCD samazinās elektriskās strāvas triecienu risks.



BRĪDINĀJUMS! Vispārējie instrumenta drošas lietošanu norādījumi.

Individuālā drošība:

- Šī ierīce nav piemērota lietot cilvēkiem (tai skaitā bērniem) ar ierobežotām fiziskām, jūtības un psihiskām spējām, vai cilvēkiem bez ierīces darbības pieredzes vai zināšanām, izņemot, ja tas notiek uzraudzībā vai saskaņā ar ierīces lietošanas instrukciju, ar kuru ir iepazinās par drošību atbildīgas personas.
- Elektroinstrumenta lietošanas laikā nepieciešams būt tālredzīgiem, novērot kas notiek un saglabāt skaidru saprātu. Nedrīkst lietot elektroinstrumentu noguruma laikā vai narkotisku vielu, alkohola vai zāļu iedarbībā. Neuzmanības mirklis strādājot ar elektroinstrumentu var radīt nopietnas ķermeņa traumas.
- Nepieciešams lietot individuālos aizsardzības līdzekļus. Vienmēr nepieciešams lietot aizsargbrilles. Lietojot attiecīgos apstākļos aizsardzības līdzekļus, tādus kā putekļu maskas, neslidošus apavus, ķiveres vai dzirdes aizsardzības līdzekļus, samazināsies individuālais traumas risks.
- Nepieciešams izvairīties no neparedzētām kustībām. Pirms pieslēgšanas pie barošanas avota un/vai pirms akumulatora pieslēgšanas kā arī pirms tam, kad paceļam vai pārceļam ierīci nepieciešams pārliecināties, ka elektroinstrumenta slēdzis atrodas izslēgšanas stāvoklī. Pārnēsāt elektroinstrumentu ar pirkstu uz slēdža vai barošanas tīkla pieslēgtu elektroinstrumentu pie ieslēgta slēdža var būt par negadījuma iemeslu.
- Pirms elektroinstrumenta palaišanas nepieciešams novākt visas atslēgas. Atslēga atstāta rotējošā elektroinstrumenta tuvumā var radīt individuālas traumas.
- Nedrīkst pārlieku tālu izlikties. Visu laiku nepieciešams stāvēt stabili un saglabāt līdzsvaru. Tas dos iespēju neparedzētās situācijās labāk kontrolēt elektroinstrumentu.
- Nepieciešams attiecīgi ģērbties. Nedrīkst nēsāt vaļīgas apģērbus vai rotas lietas. Nepieciešams turēt savus matus, apģērbu un cimdus tālu no kustīgām daļām. Vaļīgs apģērbs, rotas lietas vai gari mati var tikt aizķerti ar kustīgām daļām.
- Ja ierīce ir pielāgota ārējai putekļu sūkšanai un putekļu uzsūkšanai, nepieciešams pārliecināties, ka tie ir pieslēgti un pareizi lietoti. Lietojot putekļu sūcēju var samazināt putekļu

ieelpošanas bīstamību.



BRĪDINĀJUMS! Vispārējie instrumenta drošas lietošanu norādījumi.

Lietošana un gādība par elektroinstrumentu:

- Nedrīkst pārslēgt elektroinstrumentu. Nepieciešams piemērot elektroinstrumentu veiktajam darbam.** Pareizs elektroinstrumenta nodrošinās labāku un drošāku darbu pie slodzes, kādam tas tika projektēts.
- Nedrīkst lietot elektroinstrumentu, ja slēdzis to neieslēdz un neizslēdz.** Katrs elektroinstrumenta, kuru nevar ieslēgt vai izslēgt ar slēdzi ir bīstams un to nepieciešams labot.
- Nepieciešams atvienot elektroinstrumenta kontaktdakšīņu no barošanas avota un/vai atslēgt akumulatoru pirms tiek veikta jebkāda uzstādīšana, detaļu maiņa vai instrumenta glabāšana.** Tādas drošības darbības reducē neparedzētu elektroinstrumenta palaišanu.
- Nelietotu elektroinstrumentu nepieciešams glabāt bērniem nepieejamās vietās un nedrīkst atļaut personām, kuras nav iepazinušās ar elektroinstrumentu vai šo lietošanas instrukciju lietot elektroinstrumentu.** Elektroinstrumenti ir bīstami neapmācītu lietotāju rokās.
- Elektroinstrumentu nepieciešams konservēt.** Nepieciešams pārbaudīt asu sakrītību vai kustīgo daļu iekļūšanos, detaļu plīsumus un visus apstākļus, kuri varētu ietekmēt elektroinstrumenta darbu. Ja tiek konstatēts bojājums, elektroinstrumentu pirms lietošanas nepieciešams salabot. Daudzu negadījumu iemesls ir nepareiza elektroinstrumenta konservācija.
- Griezējinstrumentiem jābūt asiem un tīriem.** Attiecīgi uzturēti asi griezējinstrumenta asmeņi samazina iekļūšanās iespējas un atvieglo apkalpošanu.
- Elektroinstrumentu, aprikojumu, darba instrumentus un tml. nepieciešams lietot saskaņā ar šo instrukciju, ņemot vērā darba apstākļus un veicamo darbu.** Lietot elektroinstrumentu tam neparedzētā veidā var novest pie bīstamām situācijām.
- Zemās temperatūrās vai pēc ilgāka nelietošanas laika, ieteicams uz pāris minūtēm ieslēgt elektroinstrumentu bez slodzes, lai piedziņas mehānismā sāktu pareizi darboties smērēļa.**
- Elektroinstrumentu tīrīšanai lietot mikstu, mitru (ne slapju) drānu un ziepes.** Nelietot benzīnu, šķīdinātājus un citus līdzekļus, kuri varētu sabojāt ierīci.
- Elektroinstrumentu nepieciešams glabāt / transportēt iepriekš pārliecinoties, ka visas kustīgās daļas ir nobloķētas un nodrošinātas pret atbloķēšanos ar oriģināliem šim nolūkam paredzētiem elementiem.**
- Elektroinstrumentu nepieciešams glabāt sausā, no putekļiem un mitruma sargātā vietā.**
- Elektroinstrumenta transportēšanu jāveic oriģinālā iepakojumā, kurš pasargā no mehāniskiem bojājumiem.**



BRĪDINĀJUMS! Vispārējie instrumenta drošas lietošanu norādījumi.

Remonts:

- Savu elektroinstrumentu garantijas un pēcgarantijas remontus veic PROFIX serviss, kas garantē visaugstāko remontu kvalitāti kā arī tiek izmantotas oriģinālas rezerves daļas.



BRĪDINĀJUMS! ELEKTRISKAIS SKRŪVGRIEZIS, drošības brīdinājumi –

Individuālā drošība:

- Strādājot ar skrūvgrīzi lietot dzirdes aizsardzības līdzekļus.** Trokšņa iedarbība var zaudēt dzirdi.
 - Veicot darbus, kur skrūve varētu saskarties ar elektriskiem vadiem, elektroinstrumentu nepieciešams turēt pie izolētas roktura virsmas.** Kontakts ar barošanas tīkla vadu, kurš ir zem sprieguma var radīt sprieguma pārešanu uz elektroinstrumenta metāla daļām kā rezultātā var notikt elektriskās strāvas trieciens.
 - Nepieciešams lietot attiecīgas meklēšanas ierīces, lai lokalizētu slēptus barošanas vadus vai lūgt pilsētas dienestu palīdzību.** Kontakts ar vadiem, kuri ir zem sprieguma var novest līdz ugunsgrēkam vai elektriskā strāvas triecienam. Gāzes vada bojājums var novest līdz sprādzienam. Ūdensvada pārraušana rada materiālus zaudējumus vai notiek elektriskās strāvas trieciens.
 - Apstrādājamo priekšmetu nepieciešams nostiprināt.** Pārliecināties, ka visi stiprināšanas elementi ir nostiprināti un pārbaudīti, lai nebūtu pārmērīgas pielāides. Apstrādājamo priekšmetu ir drošāk nostiprināt stiprināšanas ierīcē vai skrūvspilēs nekā turēt to rokā.
 - Elektroinstrumentu stipri turēt, ievērot stabilu pozīciju.** Skrūvju griešanas un atskrūvēšanas laikā var rasties īsaiņīgi lieli reakcijas momenti.
 - Pirms elektroinstrumenta nolikšanas pagaidīt līdz tas apstājas.** Darba instruments var iebloķēties, kas rada ka tiek zaudēta kontrole par elektroinstrumentu.
 - Nedrīkst lietot elektroinstrumentu ar bojātu barošanas vadu.** Nedrīkst pieskarties pie bojāta vada. Gadījumā, ja vads tiek bojāts darba laikā, nepieciešams izvilkt kontaktdakšīņu no kontakttīgšanas. Bojāti vadi palielina elektriskās strāvas triecienu risku.
- UZMANĪBU!** Ja neatvienojamais barošanas vads tiek bojāts, to nepieciešams aizvienot ar speciālu vadu vai komplektu, kurš pieejams pie ražotāja vai specializētā remonta darbnīcā.

SKRŪVGRIEŽA UZBŪVE UN PIELIETOJUMS:

Elektriskais skrūvgrīzis ir rokas elektroinstrumenta ar vienfāzes komutatora dzinēja piedziņu Otrās klases ierīce (dubultā izolācija).

Elektriskais skrūvgrīzis paredzēts ātrai skrūvju ieskrūvēšanai un izskrūvēšanai gipsa-kartona plāksnēm, mikstā koka, plastmasas elementu un tml. montāžas laikā.

Elektriskais skrūvgrīzis paredzēta vienīgi amatieru darbos. **Nedrīkst lietot ierīci veicot darbus, kur nepieciešams lietot profesionālas ierīces.**

Aizliegts lietot ierīci neatbilstoši augstāk uzrādītam pielietojumam, pretējā gadījumā tiek zaudēta garantija kā arī ražotājs neatbild par šādā veidā radītiem zaudējumiem.

Jebkādas ierīces modifikācijas, kuras veic lietotājs atbrīvo ražotāju no atbildības par bojājumiem un zaudējumiem, kuri nodarīti lietotājam un apkārtējiem.

Neskatoties uz pielietojumam paredzēto lietošanu nevar pilnībā izslēgt

atsevišķus riska elementus. Nemot vērā mašīnas konstrukciju un uzbūvi var rasties sekojošas bīstamības:

- darba laikā pieskārsšanās pie rotējoša instrumenta ar operatora roku vai apģērbu;
- aplaucēšanās mainot darba uzgali. (Darba laikā uzgalis ļoti sakarst, lai izvairītos no applaucēšanās to mainot nepieciešams lietot spailies vai aizsargcimdus);
- skrūves atmešana.

■ Komplektācija:

- Elektriskais skrūvgriezis - 1 gab.
- Ieskrūvēšanas dziļuma ierobežotājs - 1 gab.
- Transportēšanas kofers - 1 gab.
- Lietošanas instrukcija - 1 gab.
- Garantijas karte - 1 gab.

■ Ierīces elementi (skat. lpp. 2):

- Zīm.A**
1. Ieskrūvēšanas uzgalis (bit)*
 2. Dziļuma ierobežotāja buķe
 3. Dziļuma ierobežotāja uzstādīšanas regulators
 4. Ieskrūvēšanas dziļuma ierobežotājs
 5. Siksnas klipsis
 6. Apgriezienu maiņas slēdzis
 7. Slēdzis
 8. Slēdža bloķēšana
 9. Rokturis
 10. Barošanas vads

Zīm.B 11. Magnētiskā universālā patrona*

12. Patrona ¼" ar sešstūra ligzdu

* Zīmējumos uzrādītais vai aprakstītais aprīkojums neietilpst standarta komplektā.

TEHNISKIE DATI:

Barošanas spriegums	230 V
Barošanas frekvence	50 Hz
Jauda	500 W
Griešanās ātrums bez slodzes	0-1600 /min
Maks. skrūvju diametrs	6 mm (¼")
Ierīces klase	II/I □
Masa	1,5 kg
Akustiskā spiediena līmenis (LpA)	86 dB(A)
Akustiskās jaudas līmenis (LwA)	97 dB(A)
Mērījumu izkliede LpA, LwA	3 dB(A)
Vibrācijas līmenis atbilstoši normai EN 60745-1 (mērījumu izkliede - 1,5m/s ²) ieskrūvēšana bez trieciena a _n	2,32 m/s ²

Uzrādītais vibrācijas līmenis ir reprezentatīvs elektroinstrumenta pamata lietošanai. Ja elektroinstrumenti tiek lietoti citos nolūkos vai ar citiem darba instrumentiem, vai arī ja nebūs pietiekami konservēti, vibrācijas līmenis var atšķirties no uzrādītā. Augstāk uzrādītie iemesli var radīt vibrācijas ekspozīcijas palielināšanos visā darba laikā.

Nepieciešams realizēt papildus drošības līdzekļus, kuri pasargās operatoru no vibrācijas ekspozīcijas, piem.: Elektroinstrumenta un darba instrumenta konservācija, atbilstošas roku temperatūras nodrošināšana, darba operāciju veikšanas secības noteikšana.

PIRMS DARBA SĀKUMA:

1. Pārlicināties, ka barošanas avota parametri atbilst parametriem uzrādītiem uzurbjamašīnas plāksnītes.
2. Pārlicināties, ka skrūvgrieža slēdzis (7) atrodas izslēgšanas stāvoklī un slēdža bloķēšana (8) ir atbrīvota. Nedrīkst noliekt strādājošu skrūvgriezi, kad bloķēšana ir ieslēgta. Bloķēšanas izslēgšana notiek atkārtoti iespiežot slēdzi (7).
3. Gadījumā, ja strādā ar pagarinātāju nepieciešams pārlicināties, ka pagarinātāja parametri, vadu šķērsgriezums, atbilst skrūvgrieža parametriem. Ieteicams lietot pēc iespējas īsus pagarinātājus. Pagarinātājam jābūt pilnībā attītam.

■ Darba instrumentu maiņa (zīm. B):

UZMANĪBU: Pirms ierīces apkalošanas kā arī sagatavošanas darbu sākuma, nepieciešams pārlicināties vai ierīce ir atslēgta no elektriskā tīkla.

Lai izņemtu darba uzgali (1) no patronas, vispirms nepieciešams noņemt ieskrūvēšanas dziļuma ierobežotāju (4), nobīdot to uz priekšu. Pēc tam ar spailēm satvert uzgali un izvilkēt to no magnētiskās patronas (11). Kustīnot spailēs, dažreiz var atvieglot uzgaļa izņemšanu. Ja ir tāda nepieciešamība var arī izņemt un apamanīt universālo patronu (11).

■ Apgriezienu virziena uzstādīšana (zīm. A1)

UZMANĪBU: Apgriezienu virziena maiņas slēdzi (6) lietot tikai pie izslēgtā elektroinstrumenta.

Ar virziena maiņas slēdzi (6) var mainīt elektroinstrumenta apgriezienu virzienu. Pie iespējama slēdža (7) to nav iespējams izdarīt.

Labie apgriezieni: Lai ieskrūvētu skrūves nospiest apgriezienu virziena maiņas slēdzi (6) pa kreisi (skatoties no skrūvgrieža aizmugures) līdz galam (stāvoklis R).

Kreisie apgriezieni: Lai atbrīvotu vai izskrūvētu skrūves un uzgriežņus nospiest apgriezienu maiņas slēdzi (6) pa labi (skatoties no skrūvgrieža aizmugures) līdz galam (stāvoklis L).

■ Ieskrūvēšanas dziļuma uzstādīšana (skat.: zīm. C)

Ar dziļuma ierobežošanas regulatoru (3) var uzstādīt skrūves galviņas iedziļināšanos materiālā.

Pagriežot regulatoru (3) pulksteņa rādītāja kustības virzienā (skatoties no skrūvgrieža aizmugures), ieskrūvēšanas dziļums palielinās, pagriežot pretēji pulksteņa rādītāja kustības virzienam (skatoties no skrūvgrieža aizmugures), ieskrūvēšanas dziļums samazinās.

Pilns dziļuma ierobežotāja regulatora pagrieziens rada dziļuma maiņu par 1,5 mm.

Noregulēt regulatoru (3) tā, lai attālums starp dziļuma ierobežotāja buķes uzgali (2) un skrūves galvu būtu apmēram 1 mm, kā parādīts zīm.

D1 vai D2.


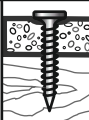
Ieskrūvēt iezīmējama skrūvi materiālā vai aizvietotajā elementā. Ja skrūves dziļums nav atbilstošs, atkārtot regulēšanu tā, lai tiktu uzstādīts pareizs dziļums.

Ir ļoti svarīgi pareizi uzstādīt skrūves ieskrūvēšanas dziļumu. Ieskrūvēšanas piemēri skrūvēm ar noslēgtu galvu ģipša-kartona plāksnē parādīti zemāk uzrādītā tabulā:

Pareizi.

Skrūves galva atrodas nedaudz zemāk par virsmu, vienlaicīgi neiespiežas ģipša-kartona klājumā.



<p>Pārāk dziļi. Skrūves galva izveido ģipša-kartona plāksnes virsmā caurumu un pieļaujams, ka zem pārklājuma iekļūs mitrums.</p>	
<p>Pārāk sekli. Skrūves galva iziet virs plāksnes virsmas, nevis blīvi pie tās piegul.</p>	

DARBA LAIKĀ:

■ Ieslēgšana/izslēgšana:

Iespraust kontakt dakšīņu tīkla ligzdā.

- Lai **ieslēgtu** elektroinstrumentu nepieciešams nospiegt slēdži (7) un turēt to šādā stāvoklī.
- Lai **nofiksētu** nospiesto slēdzi nepieciešams nospiegt slēdža bloķēšanu (8).
- Lai **izslēgtu** elektroinstrumentu nepieciešams atbrīvot slēdzi (7), vai ja tas ir bloķēts ar slēdža bloķēšanu (8), viegli nospiegt un tad atbrīvot slēdzi.

■ Apgrīezienu ātruma regulēšana

Palielinot vai samazinot spiedienu uz slēdzi (7) var elastīgi regulēt griešanās ātrumu. Vieglis spiediens uz slēdzi rada mazu apgrīezienu ātrumu. Palielinot spiedienu palielinās griešanās ātrums.

DARBA NORĀDĪJUMI:

UZMANĪBU: Elektroinstrumentu nepieciešams uzlikt uz skrūvi tikai izslēgtā stāvoklī.

Ieskrūvējot lielākas un garākas skrūves cietā materiālā vispirms ieteicams izveidot pilotējošo caurumu, nedaudz dziļāku par skrūvju garumu un ar nedaudz mazāku diametru par skrūves vītnes ārējo diametru. Gadījumā, ja skrūve atrodas materiāla malas tuvumā, pilotējošā cauruma izveidošana novērsīs iespēju materiālam atlauzties. Ja skrūves ieskrūvēšana ir apgrūtināta, tad nepieciešams skrūvi izskrūvēt un palielināt pilotējošo caurumu.

Ja ieskrūvēšana notiek ar grūtībām (kas var būt cietā koka gadījumā) nepieciešams pameģināt lietot smērējošo līdzekli (piem. Šķidrās ziepes). Nepieciešams pielikt attiecīgu spiedienu uz skrūvgriežēju, lai nepieļautu skrūvgrieža uzgaļa pagriešanos attiecībā pret skrūves galviņu. Lietot uzgalus precīzi pielāgotus skrūves galvai. Sabojāta skrūves galviņas ligzda var apgrūtināt skrūves ieskrūvēšanu vai izskrūvēšanu.

- Uzlikt skrūvi uz ieskrūvēšanas uzgali (1). Skrūves automātiski tiek turētas instrumentu patronas (11) magnētiskā spēka iedarbībā. Iespējams skrūves galu apstrādājamā materiālā, līdz ieskrūvēšanas dziļuma ierobežotājs (4) saskarsies ar tā virsmu.
- Ieslēgt elektroinstrumentu. Sākies skrūves ieskrūvēšana materiālā, līdz tiks panākts iepriekš uzstādītais dziļums. Piedziņa tiks izslēgta; instrumenta patrona pārstāj griezties. Nokontrolēt ieskrūvēšanas dziļumu un nepieciešamības gadījumā veikt regulēšanu.
- Skrūvju izskrūvēšanai nepieciešams uzstādīt funkciju «kreisie apgrīezieni» ar apgrīezienu virziena maiņas slēdzi (6) un noņemt ieskrūvēšanas dziļuma ierobežotāju (4), nobidot to uz priekšu.

Pēc ieskrūvēšanas dziļuma pielāgošanas ir iespējams darbs ar uzstādītu dziļuma ierobežotāju (4).

■ Siksnas klipsis

Ar klipsi (5) var piekarināt elektroinstrumentu piemēram pie siksnas. Pateicoties tam abas rokas ir brīvas, un elektroinstruments atrodas zem rokās.

GLABĀŠANA UN KONSERVĀCIJA:

Instrumentu principā nav nepieciešama speciāla konservācija. Mašīnu nepieciešams glabāt bērniem nepieejamās vietās, uzturēt tīrā stāvoklī, sargāt no mitruma un putekļiem. Glabāšanas apstākļiem jāizslēdz mehānisko bojājumu iespēju kā arī kaitīgo atmosfēras apstākļu iedarbību.

■ Tīrīšana

UZMANĪBU! Pirms tīrīšanas un konservācijas darbiem nepieciešams pārlicināties, ka ierīce ir atvienota no barošanas avota.

Lai nodrošinātu drošu un ražīgu darbu, elektroinstrumentu un ventilācijas atveres nepieciešams uzturēt tīrībā.

Ieteicams tīrīt ierīci uzreiz pēc katras lietošanas. Ārējās plastmasas detaļas var tīrīt ar mikstu drānu lietojot maigu tīrīšanas līdzekli. NEKAD nedrīkst lietot šķīdinājošus līdzekļus; tie var sabojāt no plastmasas izgatavotās ierīces daļas. Nepieciešams uzmanīties, lai ierīce neiekļūtu ūdens.

Pēc tīrīšanas pagaidīt līdz skrūvgrieziņš pilnībā izžūst.

TRANSPORTS:

Skrūvgriezi transportēt un glabāt transportēšanas koferi, kurš sargā no mitruma, putekļu un smalko elementu iekļūšanas, īpaši nepieciešams nodrošināt ventilācijas atveres.

TIPISKIE DEFEKTI UN TĒ NOVĒRŠANA:

Skrūvgriezis nedarbojas vai «pārtrauc darbu»:

- pārbaudīt vai barošanas vads ir pareizi pieslēgts un pārbaudīt drošinātāju,
- pārbaudīt un apmainīt ogļiņu sukuas.

UZMANĪBU! Ogļiņu sukuas var mainīt tikai pilnvarots elektriķis.

- ja elektroinstruments nedarbojas, neskatoties uz to ka ir spriegums, to nepieciešams nosūtīt uz norādīto remonta servisa punktu.

RAŽOTĀJS:

Profix SIA, Maryvilska iela 34 , 03-228 Varšava, Polija
Šī ierīce ir saskaņā ar valsts un Eiropas normām, ka arī drošības prasībām. Visāda veida remontus veic kvalificēt personāls, lietojot oriģinālas rezerves daļas.

APKĀRTEJĀS VIDES AIZSARDZĪBA:



UZMANĪBU: Uzrādītais simbols nozīmē, ka aizliegts novietot nolietoto ierīci kopā ar citiem atkritumiem (iespējams naudas sods). Bīstamās sastāvdaļas, kuras atrodas elektriskās ierīces negatīvi ietekmē uz apkārtnējo vidi un cilvēku veselību.

Mājsaimniecībām jāņem dalība nolietoto ierīču atgūšanā un atkārtotā izlietošanā (reciklīgā). Polijā un Eiropā tiek radīta vai jau pastāv nolietoto ierīču savākšanas sistēma, kura ietvaros visiem augstāk minēto pārdošanas punktiem ir pienākums pieņemt nolietotās ierīces. Bez tam pastāv augstāk minēto ierīču savākšanas punkti.



Šī instrukcija ir sargāta ar autortiesībām. Aizliegts to kopēt/pavairot bez PROFIX SIA rakstiskas atļaujas.



PŘED ZAHÁJENÍM POUŽÍVÁNÍ SE SEZNAMTE S TÍMTO NÁVODEM.

Uchovávejte návod pro případné další použití.



POZOR! Přečtěte si všechny výstrahy týkající se bezpečnosti používání označené symbolem ⚠ a veškeré pokyny týkající se bezpečnosti používání.

Nedodržování uvedených bezpečnostních výstrah a bezpečnostních pokynů může být příčinou zásahu elektrickým proudem, požáru a/nebo závažných úrazů.

Uchovejte výstrahy a pokyny týkající se bezpečnosti pro případné použití v budoucnosti.

V níže uváděných výstrahách pojem „elektronářadí“ znamená elektronářadí napájené z elektrické sítě (elektrickým vodičem) nebo elektronářadí napájené baterií (bezdrátově).



VÝSTRAHA! Všeobecné výstrahy týkající se bezpečného používání nářadí.

Bezpečnost na pracovišti:

- Udržujte na pracovišti pořádek a zajistěte zde dobré osvětlení. Nepořádek a špatné osvětlení často zapříčiňují nehody.
- Nepoužívejte elektronářadí ve výbušném prostředí tvořeném hořlavými tekutinami, plyny nebo prachem. Elektronářadí vytváří jiskry, které by mohly zapálit prach nebo výparu.
- Nepouštějte děti ani jiné pozorovatele na místa, kde se používá elektronářadí. Rušení pozornosti může způsobit ztrátu kontroly nad elektronářadím.



VÝSTRAHA! Všeobecné výstrahy týkající se bezpečného používání nářadí.

Elektrická bezpečnost:

- Zástrčky nářadí musí odpovídat zásuvkám. Nikdy žádným způsobem nepředělávejte zástrčky. V případě elektronářadí, které má vodič s ochranným uzemněním, nepoužívejte žádné prodlužovačky. Původní nepředělávané zástrčky a zásuvky snižují riziko zásahu elektrickým proudem.
- Vyvarujte se dotýkání uzemněných ploch nebo takových, které jsou spojené s hmotou, jako jsou trubky, ohřívače, radiátory ústředního topení a chladničky. V případě dotýkání takových ploch a předmětů roste riziko zásahu elektrickým proudem.
- Nevstavujte elektronářadí na působení deště nebo vlhka. Pokud by se do elektronářadí dostala voda, roste riziko zásahu elektrickým proudem.
- Kabely se nesmí žádným způsobem namáhat. Nikdy nepoužívejte kabel k nošení, tažení elektronářadí nebo k vytahování zástrčky ze zásuvky. Kabel musí být umístěn daleko od zdrojů tepla, oleje, ostrých hran nebo pohyblivých částí. Poškozené nebo propletené kabely zvyšují riziko zásahu elektrickým proudem.
- V případě, že se elektronářadí používá venku, je třeba prodlužovat elektrické kabely prodlužovací určenými na práci venku. Používání prodlužovace určeného do venkovního prostředí snižuje riziko zásahu elektrickým proudem.
- Doporučuje se připojení zařízení k elektrické síti vybavené

proudovým chráničem (RCD) s vypínacím proudem 30mA nebo menším.

- Pokud je nezbytné použití elektronářadí ve vlhkém prostředí, je třeba použít jako ochranu proudový chránič (RCD). Použití RCD snižuje riziko zásahu elektrickým proudem.



VÝSTRAHA! Všeobecné výstrahy týkající se bezpečného používání nářadí.

Osobní bezpečnost:

- Toto zařízení nesmí používat osoby (včetně dětí) s omezenou fyzickou, smyslovou nebo psychickou schopností, nebo osoby, které nemají odpovídající zkušenosti nebo znalosti zařízení, leda že je používají s příslušnou dozorem, nebo v souladu s návodem na používání zařízení, který jim předají osoby zodpovědné za jejich bezpečnost.
- Při používání elektronářadí je třeba být předvídavý, pozorovat, co se děje, a používat zdravý rozum. Nepoužívejte elektronářadí, pokud jste unavení nebo pod vlivem drog, alkoholu nebo léků. Chvilte nepozornosti při práci s elektronářadím může způsobit závažné osobní úrazy.
- Je třeba používat osobní ochranné prostředky. Je třeba vždy používat ochranné brýle. Používání v příslušných podmínkách takových ochranných prostředků, jako je protiprachová respirační maska, protiskluzová obuv, přílba nebo chrániče sluchu, snižuje nebezpečí osobních úrazů.
- Je třeba se vyhnout neplánovaného spuštění. Před připojením k elektrickému zdroji a/nebo před zapojením baterie a než se nářadí zvedne, nebo přeneše, je třeba se ujistit, že je vypínač elektronářadí v poloze vypnuto. Přenášení elektronářadí s prstem na vypínači nebo připojení elektronářadí do sítě se zapojeným vypínačem může být příčinou nehody.
- Před spuštěním elektronářadí je třeba odstranit všechny klíče. Ponechání klíče v otáčející se části elektronářadí může způsobit poranění.
- Je zakázáno přilížit se naklánět. Po celou dobu musíte stát pevně a udržovat rovnováhu. Umožní Vám to dobře kontrolovat elektronářadí při nepředvídatelných situacích.
- Je třeba mít vhodné oblečení. Při práci nenoste volné oblečení ani bižuterii. Je třeba zajistit, aby Vaše vlasy, oblečení a rukavice byly v bezpečné vzdálenosti od pohyblivých částí. Volné oblečení, bižuterie nebo dlouhé vlasy se mohou zachytit do pohyblivých částí.
- Pokud je zařízení přizpůsobeno na napojení k vnějšímu odsávání prachu a pohlčovací prachu, ujistěte se, že jsou připojeny a řádně se používají. Použitím pohlčovačů prachu můžete omezit nebezpečí závislé na prašnosti.



VÝSTRAHA! Všeobecné výstrahy týkající se bezpečného používání nářadí.

Používání elektronářadí péče o ně:

- Elektronářadí se nesmí přetěžovat. Je třeba používat elektronářadí s výkonem vhodným pro provádění určité práce. Správné elektronářadí umožní lepší a bezpečnější práci se zátěží, na kterou bylo napojeno.

- b) Elektronářadí, u kterého nefunguje spínač, se nesmí používat. Každé elektronářadí, které nelze zapínat nebo vypínat spínačem, je nebezpečné a je třeba je opravit.
- c) Před provedením každého seřízení, výměny součástky nebo před skladováním odpojte zástrčku elektronářadí od zdroje elektrického proudu a/nebo odpojte baterii. Takový bezpečnostní postup omezuje riziko náhodného spuštění elektronářadí.
- d) Nepoužívané elektronářadí uchovávejte mimo dosah dětí a nedovolte přístup osobám, které nejsou obeznamené s elektronářadím nebo s tímto návodem na používání elektronářadí. Elektronářadí může být nebezpečné v rukách nevyškolených uživatelů.
- e) Elektronářadí je třeba udržovat. Je třeba kontrolovat souost souosot me zaseknutí pohyblivých částí, praskliny součástí a veškeré další faktory, které by mohly ovlivnit činnost elektronářadí. Pokud zjistíte poškození, musíte elektronářadí před použitím opravit. Příčinou mnohých nehod je neodborná údržba elektronářadí.
- f) Řezací nástroje musí být ostré a čisté. Řádná údržba ostrých hran řezacích nástrojů snižuje pravděpodobnost zaseknutí a usnadňuje obsluhu.
- g) Elektronářadí, vybavení, pracovní nástroje apod. používejte v souladu s tímto návodem, při čemž zohledňujete pracovní podmínky a druh prováděné práce. Používání jiným způsobem, pro který není elektronářadí určeno, může způsobit nebezpečné situace.
- h) V nízkých teplotách, nebo pokud se nářadí po delší dobu nepoužívá, doporučuje se zapnout elektronářadí bez zátěže po dobu několika minut za účelem řádného promazání mechanismu pohonu.
- i) K čištění elektronářadí používejte měkký, vlhký (ne mokry) hadřík a mýdlo. Nepoužívejte benzín, rozpouštědla a další prostředky, které by mohly poškodit zařízení.
- j) Elektronářadí je třeba skladovat / dopravovat až potom, co se ujistíte, že jsou veškeré jeho pohyblivé součásti zablokované a zajištěné proti odblokování s použitím původních součástek určených k tomuto účelu.
- k) Elektronářadí skladujte na suchém místě chráněném proti prachu a průniku vlhkosti.
- l) Doprava elektronářadí by měla probíhat v původním obalu tak, aby bylo chráněné proti mechanickému použití.



VÝSTRAHA! Všeobecné výstrahy týkající se používání nářadí.

Oprava:

- a) Záruční a pozáruční opravy svého elektronářadí provádí Servis PROFIX, což zaručuje nejvyšší kvalitu oprav a používání původní náhradních dílů.



UPOZORNĚNÍ! Elektrický šroubovák, bezpečnostní upozornění –

Osobní bezpečnost:

- a) Během práce s šroubovákem používejte ochranné klapky na uši. Vystavení se hluku může způsobit ztrátu sluchu.
- b) Během prací, při nichž by mohl šroub natrefit na skryté

elektrické vedení, držte elektrické nářadí za izolované povrchy rukojeti. Kontakt s elektrickým vedením může způsobit převedení napětí na kovové části nářadí, což může zapříčinit zásah elektrickým proudem.

- c) Používejte vyhledávače skrytého elektrického vedení nebo si vyžadejte pomoc budovy. Kontakt s elektrickým vedením pod napětím může způsobit vznik požáru a zásah elektrickým proudem. Průnik do vodovodních trubek zapříčini vznik materiálních škod.
- d) Zabezpečte obráběný předmět. Ujistěte se, že všechny upevňovací svorky jsou stisknuté a zajištěné, aby nebyly příliš volné. Upevnění předmětu v úchytu nebo ve svěrků je bezpečnější, než držet jej v ruce.
- e) Elektrické nářadí je třeba během práce silně držet a zachovat jeho stabilní polohu. Během utahování a povolování šroubů může dojít ke krátkým chvilím vysoké reakce.
- f) Před odložením elektronářadí je třeba počkat, až se přestane otáčet. Pracovní nástroj by se mohl zablokovat a zapříčinit ztrátu kontroly nad elektronářadím.
- g) Je zakázáno používat elektronářadí s poškozeným elektrickým kabelem. Nedotýkejte se poškozených kabelů; v případě, že se kabel poškodí během práce, vytáhněte zástrčku ze zásuvky. Poškozené kabely zvyšují riziko zásahu elektrickým proudem.

UPOZORNĚNÍ! Pokud by byl pevný přírodní kabel zařizení poškozený, je třeba jej nechat vyměnit u výrobce nebo v odborné opravně, nebo kvalifikovanou osobou, abyste tak zamežili ohrožení.

KONSTRUKCE A URČENÍ ŠROUBOVÁKU:

Elektrický šroubovák je ruční elektronářadí, poháněné jednofázovým komutátorovým motorem. Zařízení je ve třídě dvě (dvojitá izolace).

Elektrický šroubovák je určen pro rychlé utahování a povolování šroubů během suché montáže sádkartónů, měkkého dřeva, umělých hmot atp.

Toto elektronářadí je určené pro práce střední intenzity. Není určeno pro dlouhodobou práci v těžkých podmínkách. **Není dovoleno používat toto nářadí k práci, která vyžaduje použití profesionálního nářadí.**

Každé použití zařízení jinak, než to vyplývá z jeho výše uvedeného určení, je zakázané, způsobuje ztrátu záruky a osvobozuje výrobce od odpovědnosti za takto způsobené škody.

Jakékoliv úpravy zařízení prováděné uživatelem osvobozuje výrobce od odpovědnosti za poškození a škody způsobené uživateli a v okolí.

Správné používání elektronářadí se týká také údržby, skladování, dopravy a opravy.

Elektronářadí mohou opravovat pouze servisní opravy určené výrobcem. Zařízení, které je napájeno ze sítě, by měly opravovat pouze osoby, které jsou k tomuto oprávněny.

I při používání nářadí v souladu s jeho určením nelze zcela eliminovat určité rizikové faktory. Vzhledem ke konstrukci a stavbě stroje se mohou vyskytnout následující ohrožení:

- dotek elektronářadím v provozu ruky nebo oblečení operátora;
- popálení během výměny koncovky. (Při práci se bit velmi zahřívá, abyste předešli popálení, používejte při výměně bitů kleště a ochranné rukavice);
- odhození vrutu.

■ Kompletace:

- Elektrický šroubovák – 1 ks.
- Omezovač hloubky zavrtávání – 1 ks.
- Transportní kufřík – 1 ks.
- Návod na obsluhu – 1 ks.
- Záruční list – 1 ks.

■ Součásti zařízení (viz str. 2):

- Obr. A**
1. Šroubovací koncovka (bit)*
 2. Vložka omezovače hloubky
 3. Ovládací kolečko omezovače hloubky
 4. Omezovač hloubky šroubování
 5. Klips k opasku
 6. Přepínač směru otáček
 7. Vypínač
 8. Blokáda vypínače
 9. Rukojeť
 10. Elektrický kabel

- Obr. B**
11. Univerzální magnetický úchyt*
 12. Uchycení ¼" s šestihraným vstupem

* **Takto označené vybavení není v základní výbavě.**

TECHNICKÉ ÚDAJE:

Jmenovité napětí	230 V
Jmenovitý kmitočet	50 Hz
Odebíraný výkon	500 W
Rychlost otáček bez zátěže	0-1600 /min
Max. průměr šroubů/vrutů	6 mm (¼")
Třída zařízení	II/□
Hmotnost	1,5 kg
Hladina akustického tlaku (LpA)	86 dB(A)
Hladina akustického výkonu (LwA)	97 dB(A)
Tolerance měření LpA, LwA	3 dB(A)
Úroveň vibrací podle normy: EN 60745-1, (tolerance měření $K=1,5 \text{ m/s}^2$) šroubování bez příklepu a_h	2,32 m/s^2

Uvedená úroveň vibrací platí pro základní použití elektronářadí. Pokud by bylo elektronářadí použito jinak nebo s jinými pracovními nástroji, a také pokud nebude prováděna dostatečná údržba, úroveň vibrací se může lišit od uvedené. Výše uvedené důvody mohou způsobit zvýšení vystavení vibracím během celé doby práce.

Je třeba uplatnit další bezpečnostní prostředky, jejichž účelem je ochrana obsluhy pily proti důsledkům vystavení vibracím, např.: údržbu elektronářadí a pracovních nástrojů, zajištění vhodné teploty rukou, určení pořadí pracovních úkonů.

PŘED ZAČÁTKEM PRÁCE:

1. Ujistěte se, že zdroj napájení má parametry, které odpovídají parametrům zařízení, uvedeným na firemním štítku.
2. Ujistěte se, že vypínač zařízení (7) je v poloze vypnuto a blokáda vypínače (8) je uvolněná. Je zakázáno odkládat pracující nářadí se zapnutou blokadou. Vypnutí blokády se provádí opětovným stiskem vypínače (7).
3. V případě práce s prodlužovačkou se ujistěte, že parametry prodlužovačky, průměry kabelů, odpovídají parametrům nářadí.

Doporučujeme použití co nejkratší prodlužovačky. Prodlužovačka by měla být zcela rozvinutá.

■ Výměna pracovního náčiní (obr. B):

POZOR: Před začátkem prací spojených s obsluhou a přípravou provozu zařízení se ujistěte, zda je nářadí vypnuto z napájení.

Pro vytažení pracovní koncovky (1) z úchytu nejdříve sundejte vysunutím dopředu omezovač hloubky šroubování (4). Dále uchytte koncovku kleštěmi a vytáhněte ji z magnetické úchytky (11). Pohyby kleštěmi do stran mohou usnadnit vytažení koncovky. Pokud je třeba, můžete také vytáhnout a vyměnit univerzální úchytku (11).

■ Nastavení směru otáček (obr. A1)

POZOR: Směr otáček je možné měnit pouze u vypnutého elektronářadí.

Přepínač směru otáček (6) může měnit směr otáček elektronářadí. Pokud je zapnutý vypínač (7), je to však nemožné.

Otáčky doprava: Pro zašroubování šroubů přetočte přepínač otáček (6) doleva (při pohledu od zadní strany nástroje) dokud nepocítíte odpor (poloha B).

Otáčky doleva: Pro vyšroubování šroubů nebo matic přetočte přepínač otáček (6) doprava (při pohledu od zadní strany nástroje) dokud nepocítíte odpor (poloha L).

■ Nastavení hloubky šroubování (viz obr. C)

Pomocí ovládacího kolečka omezovače hloubky (3) můžete nastavit hloubku zanoření hlavičky šroubu do materiálu.

Otáčením kolečka (3) ve směru hodinových ručiček (při pohledu od zadní strany nástroje) zvětšujete hloubku šroubování, otáčením proti směru hodinových ručiček (při pohledu od zadní strany nástroje) hloubku šroubování zmenšujete.

Plná otáčka kolečkem omezovače hloubky změní hloubku šroubování o 1,5 mm.

Upravte kolečko (3) tak, aby vzdálenost mezi koncovkou vložky omezovače hloubky (2) a hlavičkou šroubu byla cca 1 mm, jak je uvedeno na obr. D1 nebo D2.

Zašroubujte zkušební šroub do materiálu nebo náhradní podložky. Pokud hloubka není pro tento typ šroubu správná, nastavte hloubku znova tak, aby byla správná.

Správné nastavení hloubky šroubování je velmi důležité. Příklady šroubování šroubu se skrytou hlavičkou do sádrokartonové desky jsou uvedeny níže v tabulce:

Správně. Hlavička šroubu je pod hladinou desky, zároveň však neprorazí vrchní vrstvu sádrokartonové desky.	
Příliš hluboko. Hlavička šroubu proniká do vrchní vrstvy sádrokartonové desky a umožňuje průnik vlhkosti dovnitř desky.	
Příliš měle. Hlavička šroubu vyčnívá nad povrch desky, místo aby s ní zcela splývala.	

PRÁCE:

■ Zapínání/vypínání

Vložte zástrčku do zásuvky.

- Pro **zapnutí** elektronářadí stiskněte vypínač (7) a přidržte jej.
- Pro **aretaaci** zapnutého vypínače stiskněte blokadu vypínače (8).
- Pro vypnutí elektronářadí povolte tlak na vypínač (7), pokud je aretován blokadou vypínače (8), krátce jej stiskněte a pusťte.

■ Nastavení rychlosti otáček

Silnějším nebo slabším stiskem vypínače (7) můžete plynule nastavit rychlost otáček. Jemné stisknutí vypínače dá pomalé otáčky. Silnější stisk zvyšuje rychlost otáček.

POKYNYTÝKAJÍCÍSEPRÁCE:

POZOR: Elektronářadí nasazujte na vrut pouze vypnuté.

Při zavrtávání větších a delších šroubů do tvrdého materiálu doporučujeme nejdřív provést pilotní otvor, o něco hlubší a užší, než je délka a vnější šířka závitů šroubu. V případech, kdy se šroub nachází blízko okraje materiálu, pilotní otvor zabráni odštipnutí materiálu.

Pokud má šroub problém proniknout do materiálu, vyšroubujte jej a zvětšete pilotní otvor.

Pokud i nadále šroubování jde jen se stěží (může to nastat zvláště u tvrdých druhů dřeva) použijte mazadlo (např. tekuté mýdlo). Tlačte jemně na šroubovák, abyste zabránili přetáčení koncovky na hlavičce šroubu. Používejte koncovky přesně padnoucí na hlavičku šroubu. Poškození prohlubně pro šroubovák může znemožnit správné utažení nebo povolení šroubu.

- Nasadte šroub na šroubovací koncovku (1). Šrouby automaticky přidržuje magnet univerzálního magnetického úchyty (11). Zatlačte špičku šroubku do materiálu, až se omezovač hloubky šroubování (4) dotkne jeho povrchu.
- Zapněte elektronářadí. Začne se šroubování šroubku do materiálu, až do chvíle, kdy dosáhne nastavené hloubky. Šroubovák se vypne, úchytky se přestane otáčet. Zkontrolujte hloubku šroubování a případně ji upravte.
- Pro vyšroubování šroubů nastavte funkci „otáčky doleva“ pomocí přepínače směru otáček (6) a vysunutím dopředu sundejte omezovač hloubky šroubování (4).

Po nastavení hloubky šroubování můžete také pracovat s omezovačem hloubky (4).

■ Klip na opasek

Pomocí klipu (5) můžete pověsit elektronářadí například na opasku. Máte díky tomu obě ruce volné, a elektronářadí je při ruce.

SKLADOVÁNÍ A ÚDRŽBA:

Stroj v podstatě nevyžaduje zvláštní údržbu. Nářadí skladujte na místě, které není přístupné dětem, udržujte jej čisté, chraňte před vlhkem a zaprášením. Podmínky skladování by měly vylučovat možnost mechanického poškození nářadí a minimalizovat vliv škodlivých povětrnostních podmínek.

■ Čištění

POZOR! Před začátkem údržby se ujistěte, zda je zařízení odpojeno od napájení.

Pro zajištění bezpečné a produktivní práce udržujte elektronářadí a ventilační průduchy čisté.

Doporučujeme čistit elektronářadí vždy bezprostředně po použití. Vnější plastové části můžete čistit pomocí vlhkého hadříku a jemného čistícího prostředku. NIKDY nepoužívejte rozpouštědla; mohou poškodit umělohmotné části. Dávejte pozor, aby se dovnitř nářadí nedostala voda.

Po čištění počkejte, až bude šroubovák zcela suchý.

DOPRAVA:

Elektronářadí dopravujte a skladujte v transportním kufříku, který chrání před vlhkem, prachem a drobnými objekty, zvláště je třeba zabezpečit ventilační otvory. Drobné části, které proniknou dovnitř krytu, můžou poškodit motor.

TYPICKÉ ZÁVADY A JEJICH ODSTRANĚNÍ:

Elektronářadí se nezapíná nebo pracuje přerušovaně:

- zjištěte, zda je elektrický kabel (10) správně zapojen a zda je v zásuvce proud;
- zkontrolujte stav uhlíkových kartáčků a případně je vyměňte.

POZOR! Výměnu uhlíkových kartáčků může provádět pouze oprávněný elektrikář.

- pokud elektronářadí i nadále nefunguje, i když má správný přívod elektrické energie a neopotrebované uhlíkové kartáčky, třeba je odeslat do servisní opravy na adresu uvedenou v záručním listu.

VÝROBCE:

PROFIX s.r.o.
ul. Marywilska 34,
03-228 Warszawa, Polsko

Toto zařízení vyhovuje vnitrostátním i evropským normám a bezpečnostním požadavkům.

Veškeré opravy musí provádět kvalifikovaní odborníci, s použitím původních náhradních dílů.

OCHRANA ŽIVOTNÍHO PROSTŘEDÍ:



POZOR: Zobrazený symbol znamená zákaz likvidace zařízení dohromady s jinými odpady (na porušení zákazu se vztahuje pokuta). Nebezpečné složky, které se nacházejí v elektrickém a elektrotechnickém vybavení mají negativní vliv na životní prostředí a lidské zdraví.

Domácnosti by se měly zapojit do získávání zpět a opětovného využití (recyklace) starých elektrospotřebičů. V Polsku a v Evropě se tvoří nebo už existuje systém sběru elektroodpadu, v rámci kterého mají všechna prodejní místa elektrospotřebičů povinnost přijímat elektroodpad. Kromě toho existují sběrná místa pro elektroodpad.




Politika firmy PROFIX je politikou průběžného zdokonalování výrobků, z toho důvodu si firma vyhrazuje právo změnit specifikaci výrobku bez předchozího informování. Obrázky, uvedené v návodu na obsluhu, jsou pouze příklady a mohou se lišit od skutečného vzhledu zakoupeného zařízení.

Tento návod je chráněn autorským zákonem. Jeho kopírování / rozmnožování bez písemného souhlasu společnosti PROFIX s.r.o. je zakázáno.

**HASZNÁLAT ELŐTT OLVASSA EL EZEKET AZ UTASÍTÁSOKAT!**

Tartsa meg ezt az útmutatót későbbi tájékozódás céljából!



FIGYELEM! Olvassa el a  szimbólummal jelzett, a munkavédelemmel kapcsolatos összes figyelmeztetést és a biztonságos használatra vonatkozó összes utasítást!

A következő biztonsági előírások be nem tartása miatt baleset, áramütés, tűzveszély és/vagy komoly sérülés fordulhat elő

Őrize meg az összes munkavédelmi figyelmeztetést és utasítást későbbi felhasználás céljából!

Az alábbi figyelmeztetések során használt „elektromos szerszám” kifejezés olyan szerszámot jelöl, melynek áramellátása hálózatról (tápkábellel) vagy akkumulátorral (kábel nélkül) történik.



FIGYELEM! Általános munkavédelmi szabályok:
Munkahelyi biztonság:

- Tartsa tisztán a munkaterületét és ügyeljen a jó megvilágításra! A munkaterületén uralkodó rendetlenség balesetekhez vezethet.
- Ne dolgozzon elektromos szerszámmal robbanásveszélyes környezetben, gyulladásveszélyes folyadékok, gázok vagy folyadékok közelében. Az elektromos szerszámok használata során szikra keletkezhet, mely belobbanhatja a port és a gőzöket.
- Tartsa távol a gyermekeket attól a helytől, ahol használja az elektromos szerszámot. A figyelemelterelés miatt elveszítheti kontrollját az elektromos szerszám felett.



FIGYELEM! A szerszám biztonságos használatával kapcsolatos általános szabályok:

Elektromos biztonság:

- Az elektromos szerszám csatlakozó dugója meg kell feleljen az aljzattal. Tilos a csatlakozó dugó módosítása! Tilos hosszabbítók használata a védőföldeléses kábelrel ellátott elektromos szerszámok esetében! A csatlakozó dugók és aljzatok módosítása növeli az áramütés kockázatát!
- Kerülje a testi érintkezést a földelt felületekkel vagy tárgyakkal, mint a csövek, fűtőtestek, fűtőrádiátorok vagy hűtőszekrények! A földelt részekkel való érintkezés esetén nő az áramütés kockázata!
- Ne tegye ki esőnek vagy nedves környezetnek az elektromos szerszámot! *Viz behatolása esetén nő az áramütés kockázata!*
- Ne erőltesse a csatlakozó kábel! Ne használja a hálózati kábelt a szerszám mozgatására, húzására vagy a csatlakozó dugó aljzattól történő kihúzására. Tartsa távol a hálózati kábelt hőforrásoktól, olajtól, éles szélektől és mozgó alkatrészekről! A sérült vagy összegabalyodott kábelek növelik az áramütés kockázatát!
- Amennyiben az elektromos szerszámot a szabadban használja, a csatlakozást a szabadban történő használatra alkalmas kültéri hosszabbítókkal kell megoldani. A szabadban történő használatra alkalmas hosszabbítók használata csökkenti az áramütés kockázatát.
- A berendezést 30mA vagy kisebb kioldó áramú védőkapcsolós (RCD) elektromos hálózatra javasolt kapcsolni csatlakoztatni.
- Amennyiben az elektromos szerszámot nedves környezetben használja, elkerülhetetlen egy feszültségvédelmi eszköz használata, mint egy hibaáram védelmi kapcsolós (RCD). Az RCD használata csökkenti az áramütés kockázatát.



FIGYELEM! A szerszám használatának biztonságával kapcsolatos általános figyelmeztetések:

Személyi biztonság:

- Ez a berendezés nem használható csökkentett fizikai, szenzoriális vagy mentális képességű személyek (beleértve a gyermekeket is), tapasztalattal nem rendelkező személyek vagy olyan személyek által, akik nem ismerik a berendezést, kivéve a képeznek azok a helyzetek, amikor a berendezés használata felügyelet alatt vagy a használati utasítások betartásával történik egy, a biztonságért felelős személy által.
- Legyen figyelmes, összpontosítson arra, amit csinál és legyen mindig annak tudatában, hogy elektromos szerszámmal dolgozik! Ne használja az elektromos szerszámot, ha fáradt, ha kábítószert, alkoholt vagy gyógyszer befolyása alatt áll! *Elektromos szerszám használatánál egy pillanatra nyílt figyelmetlenség is komoly sérülések okozója lehet!*
- Hordjon védőruházatot!** Minden esetben viseljen védőszemüveget! Olyan védőruházat hordása mint a porvédő maszk, csúszásbiztos cipő, fülvédő vagy hallásvédő csökkenti a sérülések kockázatát!
- Kerülje el, hogy az elektromos szerszám véletlenül bekapcsoljon! A hálózati áramforrásra történő csatlakozás és/vagy az akkumulátor csatlakoztatása, valamint a szerszám felemelése vagy mozgatása előtt, győződjön meg arról, hogy az elektromos szerszám kapcsolója kikapcsolt állapotban van! Az elektromos szerszám mozgatása vagy bekapcsolt állapotban történő használata balesetet okozhat!
- Az elektromos szerszám beindítása előtt távolítsa el minden szerszámot a közelből! Az elektromos szerszám mozgó részén hagyott szerszámok sérüléseket okozhatnak!
- Ne hajtson le mélyen! Álljon biztosan és tartsa meg az egyensúlyát! Ez az elektromos szerszám jobb ellenőrzését teszi lehetővé váratlan helyzetekben.
- Öltözzön fel megfelelően! Ne hordjon bő ruházatot vagy ékszert! Haját kösse be, ruházatát és kesztyűjét tartsa távol a mozgó alkatrészekről! A bő ruházat, az ékszer és a hosszú haj beleakadhat a mozgó alkatrészekbe.
- Amennyiben a berendezés alkalmas külső porszívó és porgyűjtő csatlakoztatására, győződjön meg arról, hogy ezek helyesen lettek csatlakoztatva és használva. A porgyűjtő használata csökkentheti a porral járó veszélyek kockázatát.



FIGYELEM! A szerszám biztonságos használatára vonatkozó általános figyelmeztetések:

Az elektromos szerszám használata és gondozása:

- Ne terhelje túl az elektromos szerszámot! Az elvégzendő munkához szükséges teljesítmény függvényében használjon elektromos szerszámokat! A megfelelő elektromos szerszám jobb működést és biztonságosabb terhelést tesz lehetővé.
- Tilos az elektromos szerszám használata, ha a kapcsoló nem indítja el és nem állítja meg a szerszámot! Minden elektromos szerszám, amely nem indul el vagy nem áll meg, veszélyes és meg kell javítani!
- Minden beállítás, alkatrészcsere vagy tárolás előtt húzza ki a csatlakozó dugót az elektromos szerszám hálózati áramforrásából és/vagy vegye ki az akkumulátort! Ezek a biztonsági intézkedések csökkentik az elektromos áram véletlenszerű bekapcsolását.
- A használaton kívüli elektromos szerszámot gyermekektől távol kell tárolni, és nem szabad kölcsön adni olyan személyeknek, akik nem ismerik az elektromos szerszámot vagy nem olvasták el annak használati utasításait! Az elektromos szerszám veszélyes, ha tapasztalat nélküli személy használja!
- Az elektromos szerszámot karban kell tartani! Ellenőrizni kell a mozgásban lévő alkatrészek vonalbeállítását vagy zavarát, az alkatrészek törését és egyéb tényezőket, melyek befolyásolhatják az elektromos szerszám működését! Ha rongálódást észlelünk, az elektromos szerszámot még használat előtt meg kell javítani! Számos baleset oka az elektromos szerszám nem megfelelő karbantartása.
- A vágószerszámok élesek és tiszták kell legyenek! A vágószerszámok éles alkatrészeinek karbantartása csökkenti az anyagba történő beakadás kockázatát és megkönnyíti a használatot.
- Az elektromos szerszámot, a berendezést, a munkaszerszámokat, stb. jelen utasításoknak megfelelően kell használni, figyelembe véve a munka jellegét és feltételeit. Az elektromos szerszám rendeltetésétől eltérő használata veszélyes helyzeteket okozhat.
- Alacsony hőmérsékleten vagy hosszabb használaton kívüli időszakot követően ajánlott az elektromos szerszám teher nélküli elindítása néhány percre a kenőanyag átviteli mechanizmusba történő helyes elosztása érdekében.
- Az elektromos szerszám tisztításához puha, nedves (nem vizes) rongyot és szappant használjon! Ne használjon benzint, oldószert vagy egyéb anyagokat, amelyek károsíthatják a berendezést!
- Az elektromos szerszámot csak azután lehet tárolni/szállítani, miután megbizonyosodtunk arról, hogy minden mozgó eleme rögzítésre és biztosításra került a rögzítésre szánt eredeti elemek segítségével.
- Az elektromos szerszámot száraz helyen kell tartani, védve a portól és a nedvességtől.
- Az elektromos szerszám szállítása az eredeti csomagolásban történhet, megvédve ezáltal a mechanikai sérülésektől.



FIGYELEM!

A szerszám biztonságos használatára vonatkozó általános figyelmeztetések:

Javítás:

- Az elektromos szerszámok garanciális és garancia utáni javítását a PROFIX Szerviz végzi, ami garantálja a javítás kiváló minőségét és az eredeti alkatrészek használatát.



FIGYELEM! ELEKTROMOS CSAVARHÚZÓ, biztonságára vonatkozó figyelmeztetések -

Személyi biztonság:

- A csavarhúzó használata során használjon hallásvédőt! A zajnak való kitettség hallásvészést okozhat!
- Amikor olyan munkákat végez, melynek során a csavar hozzáférhetne a rejtett elektromos kábelekhez, az elektromos szerszámot a fogantyú szigetelt felületénél kell fogni! A tápkábellel való érintkezés a feszültség egy részét a készülék fém alkatrészeinek továbbíthatja, ami áramütéshoz vezet.
- Használjon megfelelő keresőeszközöket a rejtett elektromos kábelek helymegjelöléséhez, vagy kérjen tájékoztatást az önkormányzati intézményektől! A feszültség alatt lévő kábelekkel történő érintkezés tüzeseteket vagy áramütést idézhet elő! A gázvezeték sérülése robbanásveszélyes! A víz- és csatornacsovek kilyukadása anyagi károkat okozhat!
- Biztosítsa a megmunkált tárgyat!** Bizonyosodjon meg arról, hogy az összes rögzítő elem meg van szorítva és ellenőrizze, hogy ne legyenek nagy távolságok! A megmunkált elem rögzítő szerszámba vagy csavaros szorítóba történő rögzítése biztonságosabb, mint kézben tartása.
- Tartsa erősen az elektromos szerszámot, stabil pozíciót tartva! A csavarok szorítása vagy kiengedése közben rövid ideig nagy reakciós forgatónyomaték jelenhet meg.
- Az elektromos szerszám padra helyezése előtt várja meg míg az megáll! A használt szerszám leállhat, ami az áfeletti ellenőrzés elvesztéséhez vezethet!
- Tilos az elektromos készülék sérült tápkábellel történő használata! Ne érintse meg a sérült kábelt! Amennyiben a kábel a készülék használata közben sérül meg, húzza ki a csatlakozó dugót az aljzatból! A sérült kábelek növelik az áramütés kockázatát!

FIGYELEM! Amennyiben a le nem szerelhető tápkábel megsérül, speciális kábellel vagy kábeleggyűttessel kell kicserélni, mely a gyártótól vagy szakszerviztől szerezhető be.

A CSAVAROZÓ FELEPÍTÉSE ÉS RENDELITÉSE:

Az elektromos csavarhúzó egy kézi elektromos szerszám, melyet egy monofázisú motor működtet és amely egy kapcsolóval van ellátva. A berendezés egy, a második érintésvédelmi osztályba tartozó (kettős szigetelés) gép.

Az elektromos szerszám rendeltetése a gipszkarton lapok, puha fa, műanyag, stb., felszerelésekor a csavarok gyors be- és kicsavarozása.

Tilos a szerszámot olyan munkák végzésére használni, melyek professzionális készüléket igényelnek!

A készülék minden olyan használata, amely eltér a fent említett rendeltetéstől, tilos és a garancia elvesztéséhez vezet, a gyártó nem felelős az ezekből eredő károkat.

A készülék összes, a felhasználó által végzett módosítása mentesíti a gyártót a felelősség alól a felhasználónak és a környezetnek okozott károkat.

Egyes reziduális kockázati tényezők még abban az esetben küszöbölhetőek ki teljesen, ha a készüléket a rendeltetésnek megfelelően használták. A készülék felépítése és tervezése miatt a következő kockázatok jelenhetnek meg:

- munkavégzés közben a forgásban lévő munkaszám a kezelő kezével vagy ruházatával való megérintése
- a gépfej cseréje közbeni égesek (Működésben közben a gépfej nagyon felmelegszik. Az égesek elkerülése érdekében a gépfej-csere közben használjon harapófogót és védőkesztyűt!)
- a csavar eldobása.

■ Kiegészítés:

- Elektromos csavarhúzó – 1 db.
- Csavarozási mélység határoló – 1 db.
- Szállító doboz – 1 db.
- Használati utasítás – 1 db.
- Garanciaalap – 1 db.

■ A szerszám elemei (lásd 2. oldal):

- A. rajz:** 1. Csavarozófej (bit)*
 2. Mélység határoló nyél
 3. Mélység határoló potenciométer
 4. Csavarozási mélység határoló
 5. Övcsipesz
 6. Forgási iránykapcsoló
 7. Kapcsoló
 8. Kapcsolózár
 9. Fogantyú
 10. Tápkábel

B. rajz: 11. Univerzális mágneses tokmány*

12. Hatszögfejű $\frac{1}{4}$ " tokmány

* Az ábrákon jelölt vagy leírt felszerelés nem része a standard berendezésnek!

MŰSZAKI ADATOK:

Tápfeszültség	230 V
Tápfrekvencia	50 Hz
Teljesítmény	500 W
Forgási sebesség üres járatban	0-1600 /perc
Csavar/csapszeg max. átmérője	6 mm ($\frac{1}{4}$ "
Berendezés osztálya	II/
Súly	1,5 kg
Hangnyomás szint (LpA)	86 dB(A)
Hangerő szint (LwA)	97 dB(A)
Mérési bizonytalanság LpA, LwA	3 dB(A)
EN60745-1 szabvány szerinti vibrációs szint (mérési bizonytalanság - 1,5m/s ²) útvesztés nélküli csavarozás a _n	2,32 m/s ²

Az említett vibrációs szint reprezentatív az elektromos készülék használata szempontjából. Amennyiben az elektromos készülék más célból vagy egyéb munkaeszközzel kerül használatra, illetve ha karbantartása nem megfelelő, a vibrációs szint eltérhet a megjelöltől. A fent említett okok a vibrációs expozíció szintje növekedéséhez vezethetnek a működés teljes ideje alatt.

Kiegészítő védelmi eszközöket kell használni, melyek célja a vibrációs expozíció kezelőre gyakorolt hatásaitól való védelem, mint pl.: Elektromos készülék és munkaeszközök karbantartása, a kezek megfelelő hőmérsékletének biztosítása, a munkatevékenységek sorrendjének megállapítása.

HASZNÁLATRA TÖRTÉNŐ FELKÉSZÜLÉS:

1. Bizonyosodjon meg arról, hogy az áramforrás a nominális táblán feltüntetett paramétereknek megfelelő paraméterekkel rendelkezik!
2. Bizonyosodjon meg arról, hogy a csavarozó kapcsolója (7) kikapcsolt pozícióban van és a kapcsolózár (8) ki van engedve! Tilos a csavarozó működésben hagyni, ha a zár be van kapcsolva! A zár kikapcsolása a kapcsoló (7) újbóli megnyomásával történik!
3. Amennyiben hosszabbítót használ, bizonyosodjon meg arról, hogy a hosszabbító paraméterei, a kábelek szakaszai megfelelnek a csavarozó paramétereivel. Ajánlott minél rövidebb hosszabbítót használni! A hosszabbító teljesen ki kell legyen feszítve!

■ A munkaszerszámok cseréje (B. ábra):

FIGYELEM! A tisztítás és karbantartás megkezdése előtt bizonyosodjon meg arról, hogy a szerszám nincs áramforráshoz kötve!

Ahhoz, hogy a fejet (1) kicsavarozza a tokmányból, először szerelje le a csavarozási mélység határolót (4) annak előrehúzásával! Majd harapófogó segítségével fogja meg a végét és húzza ki a mágneses tokmányból (11)! Húzás közben mozgassuk a harapófogót, ez segíthet a fej kihúzásában! Szükség esetén kihúzhatjuk és helyettesíthetjük az univerzális tokmányt (11)!

■ A forgási irány beállítása (A1. ábra)

FIGYELEM! Csak akkor nyomja meg a forgási iránykapcsolót (6), ha az elektromos szerszám kivan kapcsolva!

A forgási iránykapcsoló (6) lehetővé teszi az elektromos szerszám forgási irányának megváltoztatását. Ez lehetetlen, ha a kapcsoló (7) le van nyomva!

Jobb oldal: A csavarok becsavarozásához a forgási iránykapcsolót (6) balra kell nyomni egészen végig (R pozíció)! (lásd a csavarozó hátánál)

Bal oldal: A csavarok vagy csavaranyák kioldásához vagy kicsavarozásához a forgási iránykapcsolót (6) jobbra kell nyomni egészen végig (L pozíció)! (lásd a csavarozó hátánál)

■ A csavarozási mélység beállítása (lásd a C. ábrát!)

A mélység határoló potenciométer (3) segítségével beállíthatjuk a csavarfej csavarozási mélységét az anyagban.

A potenciométer (3) az órájarral megegyező irányba történő csavarása (lásd a csavarhúzó hátánál) növeli a csavarozási mélységet, az órájarral ellentétes irányba történő csavarása pedig (lásd a csavarhúzó hátánál) csökkenti a csavarozási mélységet.

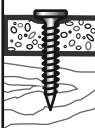


A mélység határoló teljes forgatása a fúrási mélységet 1,5 mm-rel változtatja meg.

Állítsa be úgy a potenciométert (3), hogy a mélység határoló nyél (2) vége és a csavarfej közötti távolság körülbelül 1 mm-es legyen, a D1 vagy D2 ábrák szerint.

Csavarozzon be egy próbacsavart az anyagba vagy a pótanyag elemébe! Amennyiben a mélység nem felel meg a csavarnak, végezzen egy újabb beállítást úgy, hogy a mélység beállítása megfelelő legyen!

A csavarozási mélység helyes beállítása nagyon fontos! Példákat a

sülyesztett fejú csavarok gipszkarton lemezbe történő becsavarozására az alábbi táblázatban talál:

<p>Túl felületes. A csavarfej kiáll a lemez felületéből ahelyett, hogy tömören zárna azt.</p>	
<p>Helyes. A csavarfej a felszín alatt helyezkedik el, de ugyanakkor nem szúrja át a gipsz lap felületét.</p>	
<p>Túl mély. A csavarfej átszúrja a gipsz lap felületét és lehetővé teszi a nedvesség beszivárgását.</p>	

MUNKAVÉGZÉS SORÁN:

■ Be/kikapcsolás

Csatlakoztassa a csatlakozó dugót az aljzatához!

- Az elektromos szerszám bekapcsolásához nyomja meg a kapcsolót (7) és hagyja abban a pozícióban!
- A lenyomott kapcsoló blokkolásához, nyomja meg a kapcsolózár (8)!
- Az elektromos szerszám kikapcsolásához engedje fel a kapcsolót (7) vagy amikor a kapcsolózár (8) blokkolva van, nyomja meg röviden a kapcsolót és aztán engedje el!

■ A forgási sebesség beállítása

A kapcsoló (7) megnyomása hosszának növelésével vagy csökkentésével beállíthatjuk a forgási sebességet! A kapcsoló rövid megnyomása kis forgási sebességet eredményez. A hosszú nyomás növeli a forgási sebességet!

HASZNÁLTAL KAPCSOLATOS UTASÍTÁSOK:

FIGYELEM! Az elektromos szerszámot csak akkor kell csavarra helyezni, amikor ki van kapcsolva!

A nagy és hosszú csavarok kemény anyagba történő becsavarozásához ajánlatos először egy irányító nyílást végezni, mely legyen mélyebb a csavar hosszánál és kisebb átmérőjű, mint a csavar külső átmérője! Amennyiben a tipli az anyag széle közelében található, egy ilyen nyílás elkészítése csökkenti az anyagdarab nem kívánt leválásának kockázatát. Amennyiben a tipli becsavarozása során probléma merülne fel, vegye ki és szélesítse a nyílást!

Amennyiben a csavarozás továbbra is nehezen menne (ami megtörténhet a keményebb fajok esetében), használjon kenőanyagot (pl. folyékony szappant)! Nyomja megfelelően a csavarozógépet, hogy elkerülje a befogás csavarhúzófejjel együtt történő forgását! Azokat a fejeket használja, amelyek pontosan illeszkednek a csavarhúzófejjel! A csavarhúzó fogásának sérülése a be- és kicsavarozás ellehetlenítéséhez vezethet!

- Helyezze a csavart a csavarozófejre (1)! A szerszám univerzális mágneses tokmánya (11) automatikusan megtartja a csavart. Nyomja a csavarfejt a megmunkálandó anyagba amíg a csavarozási mélységátároló (4) eléri a felületét!

- Kapcsolja be az elektromos szerszámot! Kezdje el az anyagba csavarozni a csavart amíg eléri a beállított mélységet! A szerszám leáll, a szerszám tokmánya megáll forogni. Ellenőrizze a csavarozási mélységet és ha szükséges, állítsa be!

- A csavarok becsavarozásához a forgáskapcsoló (6) segítségével állítsa be a «balra forgás» funkciót és szerelje le a mélységátárolót (4) előrehúvva azt!

A csavarozási mélység beállítása után lehetővé válik a felszerelt mélységátárolóval (4) történő működés.

■ Övcsipesz

A csipesz (5) segítségével az elektromos szerszámot az övéhez akaszthatja. Ennek köszönhetően mindkét keze szabaddá válik, az elektromos szerszám pedig kéznél van.

TÁROLÁS ÉS KARBANTARTÁS:

A szerszám gyakorlatilag nem igényel különleges karbantartást. A szerszámot gyermekektől távol, tisztán kell tartani, óvni a nedvességtől és a portól! A tárolási körülmények ki kell küszöböljék a mechanikus rongálódások vagy a különböző időjárási viszonyok káros hatásainak lehetőségét!

■ Tisztítás

FIGYELEM! Bármely tisztítási és karbantartási művelet végzése előtt *bizonyosodjon meg arról, hogy a készülék árammentesítve van!*

A biztos és jó hatásfokú működés biztosítása érdekében az elektromos szerszámot és a szellőzőnyílásokat tisztán kell tartani!

Ajánlott a szerszámot közvetlenül a használat után megtisztítani! A külső műanyag részeket puha, nedves és gyengéd ronggyal kell tisztítani! SOHA ne használjon tisztító- vagy oldószert, ezek megrongálhatják a polírozó műanyag alkatrészeit! Vigyázzon arra, hogy ne kerüljön víz a készülék belsejébe!

Tisztítást követően várja meg, amíg a csavarhúzó teljesen megszárad!

■ SZÁLLÍTÁS:

A csavarhúzót hordládában kell szállítani és tárolni, amely megóvja a nedvességtől, a portól és a kisméretű tárgyaktól! Különösen a szellőzőnyílásokat kell védeni! A gépházba bejutó kis elemek rongálhatják a motort!

TIPIKUS MEGHIBÁSODÁSOK ÉS EZEK MEGOLDÁSA:

A csavarhúzó nem működik vagy «leáll»:

- Ellenőrizze, hogy a tápkábel (10) helyesen van csatlakoztatva vagy ellenőrizze a biztosítékokat!
- Ellenőrizze és cserélje ki a szénkeféket!

FIGYELEM! A szénkefék cseréjét csak engedélyezett villanyszerelő végezheti!

- Amennyiben az elektromos szerszám továbbra sem működik, noha biztosított az áramellátás és a szénkefék jó állapotban vannak, vigye el a garanciaupon megjelölt címen szereplő javítóműhelybe!

■ GYÁRTÓ:

PROFIX Sp. o.o.,
Marywilka u. 34,
03-228 Varsó, LENGYELORSZÁG

Ez a gép megfelel a nemzeti és európai szabályoknak, valamint a biztonsági előírásoknak.

Minden javítást szakképzett személy végezhet, kizárólag eredeti

cserealkatrészt használva!

KÖRNYEZETVÉDELEM:



FIGYELEM! Ez a jel jelöli, hogy a használt készüléket tilos egyéb hulladékkal egy helyen elhelyezni (pénzbüntetés terhe mellett). Elektromos és elektronikus gépek veszélyes alkotórészei negatívan befolyásolják a környezetet és az emberek egészségét.

Minden háztartásnak hozzá kell járulnia a használt készülékek visszanyeréséhez és újrahasznosításához. Úgy Lengyelországban, mint Európában megszervezik vagy már létezik a használt készülékek gyűjtési rendszere, melynek keretében az adott készülék minden értékesítési helyén kötelesek átvenni a használt készüléket. Ezenkívül léteznek ilyen típusú készülékek gyűjtő központjai is.



A PROFIX cég politikája az, hogy folyamatosan tökéletesítse termékeit, ezért fenntartja magának azt a jogot, hogy a termék specifikációit előzetes tájékoztatás nélkül módosítsa! A használati utasításokban megjelölt ábrák csak példák, ezek kicsit eltérhetnek a megvásárolt eszköz valódi arculatától!

Jelen használati utasítást szerzői jogok védik. A PROFIX Sp. z o.o. társaság írásos hozzájárulása nélküli másolása/sokszorosítása tilos!

**PRIEŠ RADEJANT DARBĄ SUSIPAŽINKITE SU INSTRUKCIJA.**

Išsaugokite instrukciją, nes gali būti reikalinga vėliau.

ĮSPĖJIMAS! Prašome perskaityti visus įspėjimus dėl saugaus naudojimo pažymėtus simboliais ⚠ bei visas nuorodas dėl saugaus naudojimo.



Žemiau pateikiamų įspėjimų dėl saugos bei saugos nuorodų nesilaikymas gali būti elektros smūgio, gaisro ir/arba sunkių kūno sužalojimų priežastimi.

Išsaugokite visus įspėjimus ir visas saugos nuorodas, kad vėliau būtų galima jais pasinaudoti.

Žemiau pateiktuose įspėjimuose sąvoka „elektros prietaisas“ apibūdina elektros prietaisą maitinamą elektros energija iš elektros tinklo (maitinimo laidas) arba elektros prietaisą maitinamą akumuliatoriumi (batais).



ĮSPĖJIMAS! Bendri įspėjimai dėl saugaus įrankio naudojimo.

Sauga darbo vietoje:

- Darbo vietoje turi būti švaru, tvarkinga bei geras apšvietimas. *Netvarka bei netinkamas darbo vietos apšvietimas gali būti nelaimingų atsitikimų priežastimi.*
- Nenaudoti elektros prietaiso sprogioje aplinkoje, kurioje yra degūs skysčiai, degios dujos arba dulkės. *Elektros prietaiso darbo metu susidaro elektros kibirkštis, todėl gali užsidegti esantis aplinkoje garai.*
- Darbo vietoje negali būti vaikai bei pašaliniai. *Dėmesio nukreipimas gali būti elektros prietaiso valdymo praradimo priežastimi.*



ĮSPĖJIMAS! Bendri įspėjimai dėl saugaus įrankio naudojimo.

Elektros sauga:

- Elektros prietaisų kištukai turi atitikti elektros lizdo tipui. Jokių būdu negalima keisti kištuko. Jeigu elektros prietaisas turi įžeminimą, negalima naudoti ilgutuvo. *Originalių kištukų bei lizdų naudojimas sumažina elektros smūgio riziką.*
- Venkite kūno kontakto su žemintais paviršiais, tokiais kaip vamzdžiai, šildytuvai, centrinio šildymo radiatoriai bei šaldytuvais. *Kontaktas su žemintais paviršiais didina elektros smūgio pavojų.*
- Saugokite prietaisą nuo lietaus ir drėgmės. *Jeigu vanduo patenka į elektros prietaisą, padidėja elektros smūgio rizika.*
- Nenaudokite laidų ne pagal paskirtį. Neneškite įrenginio paėmę už laido, netraukite už jo norėdami išjungti kištuką iš elektros lizdo. Laidą klokite taip, kad jo neveiktų karštis, jis neišsitemptų alyva ir jo nepažeistų aštrios detalės ar judančios prietaiso dalys. *Pažeistas laidas gali tapti elektros smūgio priežastimi.*
- Jeigu elektros prietaisas yra naudojamas lauke, laido prailginimui naudokite tik specialiai tam skirtus prailgintuvus. *Prailgintuvų skirtų darbui lauke naudojimas sumažina elektros smūgio riziką.*
- Įrankį rekomenduojama jungti į elektros maitinimo tinklą, turintį likutinės srovės įrenginį (RCD), kurio išjungimo srovė

yra 30 mA arba mažesnė.

- Jeigu negalima išvengti elektros prietaiso naudojimo drėgnoje aplinkoje, naudokite RCD įrenginį. *RCD įrenginio naudojimas sumažina elektros smūgio riziką.*



ĮSPĖJIMAS! Bendri įspėjimai dėl saugaus įrankio naudojimo.

Žmonių sauga:

- Prietaisu negali naudotis asmenys (tame tarpe vaikai) turintys fizinį, jutimo arba psichinius negalavimus, taip pat asmenys neturintys darbo patirties arba nesusipažinę su prietaisu, nebent toks darbas vyksta stebint specialistui arba pagal prietaiso naudojimo instrukciją, kurį buvo perduota asmeniui atsakingu už saugą.
- Būkite atidūs, sutelkite dėmesį į tai, ką Jūs darote ir, dirbdami su elektros prietaisu, vadovaukitės sveiku protu. Nedirbkite su prietaisu, jei esate pavargę arba vartojote narkotikus, alkoholį ar medikamentus. *Akimirknio neatidumas naudojant prietaisą gali tapti rimtų sužalojimų priežastimi.*
- Dėvėkite tinkamą aprangą. Nešiokite apsauginius akinius. *Apsauginės aprangos, tokios kaip dulkių kaukė, neslystantis apsauginiai batai, šalmas, asinės, naudojimas sumažina sužalojimų grėsmę.*
- Saugokitės, kad neįjungtumėte prietaiso atsitiktinai. **Prieš įjungiant kištuką į elektros lizdą ir/arba prieš akumuliatoriaus įjungimą bei prieš paimant arba pernešant prietaisą įsitikinkite, kad prietaisas yra išjungtas.** *Prietaiso pernešimas su pirštu ant jungiklio arba prietaiso įjungimas į maitinimo tinklą gali tapti nelaimingo atsitikimo priežastimi.*
- Prieš įjungdami prietaisą pašalinkite raktus. *Prietaiso besisukančioje dalyje esantis įrankis ar raktas gali tapti sužalojimų priežastimi.*
- Nepasilenkite pernelyg į priekį. Dirbdami atsistokite patikimai ir visada išlaikykite pusiausvyrą. *Patikima stovėseną ir tinkama kūno laikysena leis geriau kontroliuoti prietaisą netikėtose situacijose.*
- Dėvėkite tinkamą aprangą. Nedėvėkite plačių drabužių ir papuošalų. Saugokite plaukus, drabužius ir pirštines nuo besisukančių prietaiso dalių. *Laisvus drabužius, papuošalus bei ilgus plaukus gali įtrukti besisukančios prietaiso dalys.*
- Jeigu įrenginiai yra pritaikyti prijungimui prie dulkių nusiurbimo ir dulkių surinkėjo, įsitikinkite, kad šie įrenginiai tinkamai prijungti ir panaudoti pagal paskirtį. *Dulkių surinkėjų panaudojimas sumažina dulkių poveikio pasekmes.*



ĮSPĖJIMAS! Bendri įspėjimai dėl saugaus įrankio naudojimo.

Rūpestinga elektros prietaisų priežiūra ir naudojimas

- Neperkraukite prietaiso. Naudojamo prietaiso galimumas turi atitikti atliekamam darbui. *Tinkamai parinktas elektros prietaisas leis atlikti darbą gerai ir saugiai.*
- Nenaudokite elektros prietaiso su sugedusiu jungikliu. *Elektros prietaisas, kurio nebegalima įjungti ar išjungti, yra pavojingas ir jį reikia remontuoti.*

- c) Prieš reguliuodami prietaisą, keisdami darbo įrankius arba prieš sandėliavimą ištraukite kištuką iš elektros lizdo ir/arba atjunkite akumuliatorių. Ši saugumo priemonė apsaugos jus nuo netikėto prietaiso įsijungimo.
- d) Nenaudojamą prietaisą sandėliuokite vaikams ir nemokantiems juo naudotis arba nesupažinusiems su instrukcija asmenims neprieinamoje vietoje. Elektriniai įrankiai yra pavojingi, kai juos naudoja nepatyrę asmenys.
- e) rūpestingai prižiūrėkite prietaisą. Patikrinkite, ar besisukančios prietaiso dalys tinkamai veikia ir niekur nekliūva, ar nėra sulūžusių ar šiaip pažeistų dalių, kurios įtakotų elektros prietaiso veikimą. Jeigu yra gedimai suremontuokite prietaisą. Daugelio nelaimingų atsitikimų priežastis yra blogai prižiūrimi elektros prietaisai.
- f) Pjovimo įrankiai turi būti aštrūs ir švarūs. Rūpestingai prižiūrėti elektros prietaisai su aštriais pjovimo įrankiais yra lengviau valdomi ir juos geriau kontroliuoti.
- g) Elektros prietaisą, papildomus įrankius, darbo įrankius ir t.t. naudokite tik pagal instrukciją, turėdami omeny darbo sąlygas bei atliekamo darbo pobūdį. Elektros prietaiso naudojimas ne pagal paskirtį gali sukelti pavojingas situacijas.
- h) Jeigu prietaisas nebuvo naudojamas ilgesnį laiką arba yra naudojamas žemos temperatūros sąlygose, įjunkite jį kelioms minutėms be apkrovos tam, kad tepalas tinkamai pasiskirstytų pavaros mechanizme.
- i) Elektros prietaisus valykite minkštu, drėgnu (ne šlapiu) skuduru ir muilu. Nenaudokite benzino, tirpiklių bei kitų priemonių galinčių pažeisti prietaisą.
- j) Elektros prietaisą laikykite/transportuokite tik po to, kai įsitikinsite, kad jo visos besisukančios dalys yra užblokuotos ir saugomos originaliomis, specialiai tam skirtomis detalėmis.
- k) Elektros prietaisą laikykite sausoje, apsaugotoje nuo dulkių bei drėgmės vietoje.
- l) Elektros prietaisą transportuokite originalioje pakuotėje, saugančioje nuo mechaninių pažeidimų.



ĮSPĖJIMAS! Bendri įspėjimai dėl saugaus įrankio naudojimo.

Remontas:

- a) Garantinį ir pogarantinį elektros įrankių remontą atlieka PROFIX servisas, todėl garantuojama aukščiausia remonto darbų kokybė bei originalios atsarginės dalys.



DĖMESIO! ELEKTRINIS ATSUKTUVAS, saugaus darbo nuorodos.

Žmonių sauga:

- a) Naudodami suktuvą dėvėkite ausų apsaugos priemones. Ilgalaikis darbas triukšme gali sukelti klausos praradimą.
- b) Atlikdami darbus, kurių metu pjovimo įrankis galėtų prisiliesti prie paslėptų laidų, laikykite elektrinį įrankį tik už izoliuotų paviršių. Jeigu yra kontaktas su elektros laidais, tai visos metalinės prietaiso dalys taip pat yra po įtampa, o tai gali sukelti elektros smūgį.
- c) Elektros laidų lokalizavimui naudokite tinkamus lokalizavimo prietaisus arba kreipkitės į pastato administraciją. Kontaktas su elektros laidais gali būti gaisro bei elektros smūgio priežastimi. Dujų vamzdžio pažeidimas gali sukelti

sprogimą. Vandentiekio vamzdžių pažeidimas gali sugadinti aplinkoje esančius daiktus.

- d) **Būtina patikimai pritvirtinti apdorojamą daiktą.** Įsitikinkite, kad visi tvirtinimo gnybtai yra užveržti bei patikrinkite, kad jie nebūtų pernelyg laisvi. Apdorojamo daikto pritvirtinimas tvirtinimo mechanizmu arba spaustuvuose didina darbo saugumą.
- e) **Elektros prietaisą darbo metu būtina tvirtai laikyti bei užtikrinti stabilią darbo poziciją.** Varžtų užsikimo arba atsukimo metu gali atsirasti momentai, kai smūgiai yra labai stiprus.
- f) **Prieš padedant elektros prietaisą palaukite kol jis visiškai sustos.** Darbo įrankis gali užstrigti ir tokiu būdu priversti prie kontrolės praradimo.
- g) **Draudžiama naudoti elektros prietaisą, jeigu jo maitinimo laidas yra pažeistas.** Draudžiama liesti pažeistą maitinimo laidą; jeigu maitinimo laidas pažeidžiamas darbo metu, nedelsiant ištraukti kištuką iš lizdo. Pažeistas maitinimo laidas didina elektros smūgio riziką.

DĖMESIO! Jeigu sugedo elektros prietaiso laidas, kuriuo negalima atjungti, pakeisti jį galima tik specialiu laidu arba laidu pereinamu pas gamintoją arba specializuotame remonto punkte.

ATSUKTUVO PASKIRTIS IR SANDARA:

Elektrinis atsuktuvas tai rankinis elektrinis įrankis, varomas vienfaziu komutatoriniu varikliu. Suktuvus tai antros klasės įrenginys (dviguba izoliacija).

Atsuktuvas yra skirtas greitam varžtų įsukimui ir išsukimui gipso kartono plokščių, minkštos medienos ir plastiko elementų ir pan. montavimo metu.

Šis elektros prietaisas yra skirtas vidutinio intensyvumo darbams. Netinka ilgalaikiam darbui sunkiose sąlygose. **Draudžiama naudotis prietaisu atliekant darbus reikalaujančius profesionalių įrenginių.**

Kiekvienas elektros prietaiso panaudojimas ne pagal paskirtį sukelia garantijos praradimą bei gamintojas tokiu atveju nėra atsakingas už patirtas žalas.

Bet kokios prietaiso modifikacijos padarytos naudotoju atleidžia gamintoją nuo atsakomybės už žalos patirtas tokiu atveju naudotoju bei aplinkiniams.

Nepaisant tinkamo ir pagal paskirtį prietaiso naudojimo negalima visiškai išvengti rizikos. Galimi rizikos atvejai:

- Prislietimas prie besisukančio darbinio įrankio ranka arba drabužiais;
- Nudėgimas įrankio keitimo metu. (Darbo metu sukimo antgalis (bitas) labai įkaita, todėl norėdami išvengti nudegimų naudokite žnyplės ir apsaugines pirštines);
- Varžto atmetimas.

■ Komplektavimas

- Elektrinis atsuktuvas - 1 vnt.
- Įsukimo gylio ribotuvas - 1 vnt.
- Dėžė transportui - 1 vnt.
- Naudojimo instrukcija - 1 vnt.
- Garantinis lapas - 1 vnt.

■ Prietaiso dalis (žiūrėkite p. 2):

Pav. A 1. Sukimo antgalis (bitas)*

2. Gylio ribotuvo įvorė
3. Gylio ribotuvo nustatymo rankenėlė

4. Įsukimo gylio ribotuvas
5. Diržo spaustukas
6. Apsukimų krypties jungiklis
7. Įjungimo / Išjungimo jungiklis
8. Blokavimo mygtukas
9. Rankena
10. Maitinimo laidas

Pav.B 11. Magnetinė universalus laikiklis*

12. Laikiklis ¼" su šešiakampiu lizdu

*Pavaizduoti ar aprašyti priedai į tiekiamą standartinį komplektą neįeina.

TECHNINIAI DUOMENYS:

Nominali įtampa	230 V
Nominalus dažnis	50 Hz
Nominalus pajėgumas	500 W
Apsukimų greitis be apkrovos	0-1600 /min
Maksimalus varžto skersmuo	6 mm (¼")
Prietaiso klasė	II/□
Svoris	1,5 kg
Akustinio slėgio lygis (LpA)	86 dB(A)
Akustinio pajėgumo lygis (LwA)	97 dB(A)
Matavimo paklaida LpA, LwA	3 dB(A)
Vidutinis vibravimo lygis pagal EN 60745-1 (matavimo paklaida - 1,5m/s ²) nesmūginis sukimas a _v	2,32 m/s ²

Pateiktas virpesių lygis yra reprezentatyvus pagrindiniams prietaiso panaudojimams. Jeigu elektros prietaisas bus panaudotas kitiems tikslams arba su kitais papildomais darbo įrankiais bei jeigu nebus tinkamai prižiūrimas, virpesių lygis gali skirtis.

Pateiktos aukščiausios priežastys gali padidinti vibracijų lygį darbo metu. Būtina panaudoti papildomas priemones, saugančias naudotoją nuo vibracijų pasekmių, pav.: prietaiso ir darbo įrankių priežiūra, veiksmų eilės nustatymas.

PRIEŠ PRADEDANT DARBĄ:

1. Prieš pradėdami darbą patikrinti ar pateikti prietaiso firminėje lentelėje duomenys atitinka elektros tinklo parametrus.
2. Įsitikinkite, kad atsuktuvo jungiklis (7) yra „išjungtas“ padėtyje ir jo blokavimo mygtukas (8) yra atlaisvintas. Nepadėkite įjungto atsuktuvo, jei yra paspaustas jungiklio blokavimo mygtukas. Blokadą išjungiama pakartotinai paspaudžiant jungiklį (7).
3. Jeigu darbo vieta yra nutolusi nuo elektros lizdo, naudokite tinkamą prailgintuvą (laidų skersmuo turi atitikti elektros srovę). Naudokite kuo trumpesnius prailgintuvus. Prailgintuvais visame ilgyje turi būti ištiestas.

■ Darbinių įrankių keitimas (žiūrėkite pav. B):

DĖMESIO: Prieš atlikdami bet kokius priežiūros darbus arba paruošdami įrankį darbui įsitikinkite, kad įrankio maitinimo laido kištukas yra ištrauktas iš elektros lizdo.

Norėdami išimti darbinį priedą (1) iš laikiklio nuimkite įsukimo gylio ribotuvą (4), stumdami jį į priekį. Po to suimkite įrankį žnyplėmis ir

ištraukite iš magnetinio laikiklio (11). Judesiai žnyplėmis gali padėti nuimant įrankį. Jei reikia, taip pat galite pakeisti universalų laikiklį (11).

■ Apsukų krypties nustatymas (pav. A1)

DĖMESIO: Apsukų krypties mygtuką (6) galima įjungti tik, kai elektrinis įrankis nebesisuka.

Apsukų krypties mygtukas (6) yra skirtas elektrinio įrankio apsučių krypties keitimui. Jei jungiklis (7) yra paspaustas, apsučių krypties keitimas neįmanomas.

Apsukų kryptis į dešinę: Norėdami įsukti varžtus, paspauskite apsučių krypties jungiklį (6) į kairę (žiūrint nuo sukтуovo galo) iki galo (padėtis R).

Apsukų kryptis į kairę: Norėdami atlaisvinti arba išsukti varžtus ir veržles, paspauskite apsučių krypties jungiklį (6) į dešinę (žiūrint nuo atsuktuovo galo) iki galo (padėtis L).

■ Sukimo gylio nustatymas (žiūrėkite pav. C)

Gylio ribotuvo nustatymo rankenėle (3) galima nustatyti varžto galvutės įėjimo gylių medžiagą.

Sukant rankenėlę (3) pagal laikrodžio rodyklę (žiūrint nuo sukтуovo galo) - įsukimo gylis didėja, sukant prieš laikrodžio rodyklę (žiūrint nuo sukтуovo galo) - įsukimo gylis mažėja.

Pilnas įsukimo gylio rankenėlės apsučimas keičia gylių 1,5 mm.

Sureguliuokite rankenėlę (3) taip, kad atstumas tarp gylio ribotuvo įvorės (2) ir varžto galvutės būtų apie 1 mm, kaip parodyta pav. D 1 arba D 2.

Padarykite bandomąjį varžto įsukimą į medžiagą arba kitą elementą. Jei gylis nėra tinkamai nustatytas, sureguliuokite prietaisą dar kartą ir nustatykite tinkamą gylių.

Tinkamas varžto įsukimo gylio nustatymas yra labai svarbus. Varžto su paslėptą galvutę įsukimo į gipso kartono plokštę pavyzdžiai nurodami lentelėje žemiau:

<p>Teisingai.</p> <p>Varžto galvutė yra žemiau paviršiaus, bet dar nepraduria gipso kartono plokštės paviršiaus.</p>	
<p>Per giliai.</p> <p>Varžto galvutė praduria plokštės paviršių, drėgmė gali patekti į medžiagos vidų.</p>	
<p>Nepakankamai giliai.</p> <p>Varžto galvutė išsikiša virš plokštės paviršiaus.</p>	

DARBAS:

■ Įjungimas/išjungimas

Įdėkite maitinimo laido kištuką į elektros lizdą.

- Norėdami **įjungti** elektros prietaisą paspauskite jungiklį (7) ir laikykite jį paspaustą.
- Norėdami užfiksuoti jungiklį pozicijoje „įjungtas“ paspauskite jungiklio blokavimo mygtuką (8).
- Norėdami **išjungti** elektros prietaisą paspauskite jungiklį (7) ir paleisti po to, kai jis yra užfiksuotas blokavimo mygtuku (8), neilgam paspausti ir atlaisvinti.

■ Apsukų greičio nustatymas

Didinant ir mažinant jungiklio (7) spaudimo jėga galima keisti apskukų greitį. Spaudžiant nespirdžiai gaunamas mažas apskukų greitis. Stiprinant spaudimą greitis didėja.

DARBOPATARIMAI:

DĖMESIO: *Elektrinį įrankį pridėti prie varžto galima tik, kai jis nebesisuka.*

Įsukant didelius ir ilgus varžtus į kietą medžiagą rekomenduojama iš karto padaryti skylę šiek tiek gilesnę ir platesnę nei varžto sriegis. Jeigu varžtas yra arti medžiagos krašto, angos grėžimas saugo nuo atplaišų susidarymo.

Jeigu yra sunku įsukti varžtą į pageidaujama gylį, tai išsukite varžtą ir pagilinkite angą.

Jeigu ir toliau yra sunku įsukti varžtą (gali būti kietos medienos atvejais), pabandykite panaudoti tepimo medžiagą (pav. skystą muilą). Būtina spausti sukтуvą su tam tikrą jėgą tam, kad sukтуvas nesisuktų varžto galvutės atžvilgiu. Naudokite sukтуvų antgalius tinkamos varžtų dydžiui. Jeigu varžto galvutės gedimas gali apsunkinti varžto įsukimą arba išsukimą.

- Uždėkite varžtą ant sukimo antgalio (1). Varžtai automatiškai prilinkomi ant laikiklio (11). Įspauskite varžto galiuką į medžiagą, kol gylio ribotuvas (4) susiliečia su paviršiumi.
- Įjunkite elektrinį įrankį. Pradėkite sukimą kol varžtas bus įsuktas iki nustatyto gylio. Laikiklis baigia sukstis. Patikrinkite įsukimo gylį, jei reikia sureguliuokite
- Įsukant varžtus apskukų jungikliu (6) galima nustatyti padėtį «sūkiai į kairę» ir nuimti gylio ribotuvą (4), stumiant jį į priekį.
- Kai įsukimo gylis nustatytas, galima dirbti su gylio ribotuvu (4).

■ Diržo spaustukas

Diržo spaustukas (5) yra skirtas pakabinti elektrinį įrankį. Tokiu būdu abidvi rankos yra laisvos, o įrankis yra po ranka.

LAIKYMAS IR PRIEŽIŪRA:

Prietaisą laikykite vietoje nepasiekiamoje vaikams. Prietaisas turi būti švarus bei saugomas nuo dulkių ir drėgmės. Laikymo sąlygos turi užtikrinti saugumą nuo mechaninių pažeidimų bei oro sąlygų poveikio.

■ Valymas

UWAGA! *Prieš atlikdami valymo arba priežiūros darbus ištraukite maitinimo laidą kištuką iš elektros lizdo.*

Siekiant užtikrinti saugų ir efektyvų darbą, reguliariai valykite elektrinio įrankio ventiliacines angas.

Rekomenduojama valyti įrankį po kiekvieno naudojimo. Išorinės plastikinės dalis valyti drėgnu skuduru ir švelniu valikliu. NENAUDOKITE valymo priemonių bei tirpiklių; jie gali pažeisti plastmasines dalis. Į vidų negali patekti vanduo.

Po valymo palaukite, kol sukтуvas išdžiūs.

TRANSPORTAS:

Elektros prietaisą transportuokite ir laikykite specialiai tam skirtoje dėžėje, saugancioje nuo drėgmės, dulkių ir smulkių objektų įsikverbimo, ypač saugokite ventiliacines angas. Smulkūs elementai, patenkantis į korpusą gali pažeisti variklį.

TIPIŠKI GEDIMAI IR JŲ ŠALINIMAS:

Elektros prietaiso neįjunkite arba sustabdykite darbą:

- patikrinkite ar maitinimo laidas (10) yra tinkamai prijungtas; patikrinkite ar elektros lizde yra įtampa;
- patikrinkite anglies šepetėlių būklę ir pagal poreikį pakeiskite;

DĖMESIO! *Anglies šepetėlius keitimą gali atlikti tik elektrikas.*

- jeigu elektros prietaisas neveikia nepaisant to, kad turi elektros maitinimą, o jo anglies šepetėliai yra geros būklės, būtinai nuvežkite prietaisą į serviso punktą adresu nurodytu garantiniame lape.

GAMINTOJAS:

PROFIX Sp. z o.o.,

Marywilka 34,

03-228 Varšuva, Lenkija

Šis prietaisas atitinka šalies bei Europos reikalavimus bei visus saugos reikalavimus.

Prietaiso remontą gali atlikti tik kvalifikuotas personalas, naudojant tik originalias atsargines dalis.

APLINKOS APSAUGA:



DĖMESIO: *Pateiktas simbolis reiškia, kad panaudotus prietaisus draudžiama išmesti kartu su kitomis atliekomis (už pažeidimą gresia piniginių bausė). Panaudoti elektros prietaisai bei elektroninės dalis ir komponentai turi neigiamą poveikį aplinkai ir žmonių sveikatai.*

Namų ūkis turėtų prisidėti prie panaudotos įrangos utilizavimo bei pakartotino medžiagų panaudojimo (perdirbimo). Lenkijoje ir Europoje yra kuriama arba jau veikia panaudotos įrangos surinkimo sistema. Todėl visi paminėtos įrangos pardavimo taškai yra įpareigoti priimti panaudotą įrangą. Be to yra specialūs panaudotos įrangos priėmimo taškai.



PROFIX įmonė siekia tobulinti savo produktus, todėl gali keistis produktų specifikacijos. Apie šiuos pasikeitimus įmonė nėra įpareigota nepranešti. Paveikslėliai esantis aptarnavimo instrukcijoje tai tik pavyzdžiai bei gali skirtis nuo nusipirkto prietaiso.

Ši instrukcija yra apsaugojama autoriaus teise. Kopijavimas/plėtojimas be PROFIX Sp. z o.o. leidimo raštu draudžiamas.

DT-C2/d_zg/0042/05

Łomna Las: 2018.11.05

(GB) EC/EU DECLARATION OF CONFORMITY
(PL) DEKLARACJA ZGODNOŚCI WE/UE
(RO) DECLARAȚIE DE CONFORMITATE CE/UE

(LV) EK/ES ATBILSTĪBAS DEKLARĀCIJA
(LT) EB/ES ATITIKTIES DEKLARACIJA
(CZ) ES/EU PROHLÁŠENÍ O SHODĚ

(HU) EK/EU-MEGFELELŐSÉGI NYILATKOZATA

(GB) MANUFACTURER	(PL) PRODUCENT	(RO) PRODUCĂTOR	(LV) RAŽOTĀJS	(LT) GAMINTOJAS	(CZ) VÝROBCE	(HU) GYÁRTÓ
----------------------	-------------------	--------------------	------------------	--------------------	-----------------	----------------

PROFIX Sp. z o.o. ul. Marywilska 34, 03-228 Warszawa

(GB) Person who was authorized to develop technical documentation: (PL) Osoba upoważniona do przygotowania dokumentacji technicznej: (RO) Persoană împuternicită pentru pregătirea documentației tehnice: (LV) Persona atbildīga par tehniskās dokumentācijas sagatavošanu:	(LT) Asmuo įgaliojotas parengti techninę dokumentaciją: (CZ) Osoba oprávněná připravit technickou dokumentaci: (HU) Műszaki dokumentáció elkészítésére meghatalmazott személy:
--	--

Mariusz Rotuski, Centrum Dystrybucyjno-Handlowe PROFIX, ul. Dobra 3, Łomna Las, 05-152 Czosnów

(GB) Electric screwdriver (PL) Wkrętarzka elektryczna (RO) Șurubelniță electrică (LV) Elektriskais skrūvērgriezis (LT) Elektrinis atsuktuvas (CZ) Elektrický šrubovák (HU) Elektromos csavarhúzó

TRYTON TMGK500

P1U-TD-6

230 V; 50 Hz; 500 W; kl. II; n₀: 0-1600/min
S1839 -...- S1921

(GB) The object of the declaration described above is in conformity with the relevant Union harmonisation legislation: (PL) Wymieniony powyżej przedmiot niniejszej deklaracji jest zgodny z odnosnymi wymaganiami unijnego prawodawstwa harmonizacyjnego: (RO) Obiectul declarației descris mai sus este în conformitate cu legislația relevantă de armonizare a Uniunii: (LV) Iepriekš aprakstītais deklarācijas priekšmets atbilst attiecīgajam Savienības saskaņošanas tiesību aktam (LT) Pirmiau aprašytas deklaracijos objektas atitinka susijusius derinamusius Sąjungos teisės aktus: (CZ) Výše popsaný předmět prohlášení je ve shodě s příslušnými harmonizačními právními předpisy Unie: (HU) A fent ismertetett nyilatkozat tárgya megfelel a vonatkozó uniós harmonizációs jogszabálynak:

(GB) 2006/42/EC (OJ L 157, 9.6.2006, p. 24–86); 2014/30/EU (OJ L 96, 29.3.2014, p. 79–106); 2011/65/EU of the European Parliament and of the Council of 8 June 2011 on the restriction of the use of certain hazardous substances in electrical and electronic equipment;
(PL) 2006/42/WE (Dz.U. L 157 z 9.6.2006, str. 24–86); 2014/30/UE (Dz.U. L 96 z 29.3.2014, str. 79–106); 2011/65/UE z dnia 8 czerwca 2011 r. w sprawie ograniczenia stosowania niektórych niebezpiecznych substancji w sprzęcie elektrycznym i elektronicznym (Dz.U. L 174 z 1.7.2011, str. 88–110)
(RO) 2006/42/CE (JO L 157, 9.6.2006, p. 24–86); 2014/30/UE (JO L 96, 29.3.2014, p. 79–106); 2011/65/UE a Parlamentului European și a Consiliului din 8 iunie 2011 privind restricțiile de utilizare a anumitor substanțe periculoase în echipamentele electrice și electronice;
(LV) 2006/42/EK (OV L 157, 9.6.2006., 24./86. lpp.); 2014/30/ES (OV L 96, 29.3.2014., 79./106. lpp.); 2011/65/ES (2011. gada 8. jūnijs) par dažu bīstamu lielu izmantošanas ierobežošanu elektriskās un elektroniskās iekārtās;
(LT) 2006/42/EB (OL L 157, 2006 6 9, p. 24–86); 2014/30/ES (OL L 96, 2014 3 29, p. 79–106); 2011/65/ES 2011 m. birželio 8 d. dėl tam tikrų pavojingų medžiagų naudojimo elektros ir elektroninėje įrangoje apribojimo;
(CZ) 2006/42/ES (Úř. věst. L 157, 9.6.2006, s. 24–86); 2014/30/UE (Úř. věst. L 96, 29.3.2014, s. 79–106); 2011/65/UE z dne 8. června 2011 o omezení používání některých nebezpečných látek v elektrických a elektronických zařízeních;
(HU) 2006/42/EK (HL L 157., 2006.6.9., 24–86. o.); 2014/30/UE (HL L 96., 2014.3.29., 79–106. o.); 2011/65/EK irányelve (2011. június 8.) egyes veszélyes anyagok elektromos és elektronikus berendezésekben való alkalmazásának korlátozásáról;

(GB) and have been manufactured in accordance with the standards:
(PL) oraz został(y) wyprodukowany(e) zgodnie z normą(jami):
(RO) și au fost produse conform normelor:
(LV) un tika izgatavoti atbilstoši normām:

(LT) bei yra pagamintas pagal normas:
(CZ) a byla(y) vyrobená(y) podle normy(em):
(HU) és gyártás(uk) az alábbi szabvány(ok)nak megfelelően történt:

EN 60745-1:2009+A11:2010 EN 60745-2-2:2010
EN 55014-1:2006+A1:2009 EN 55014-2:2015 EN 61000-3-2:2014 EN 61000-3-3:2013
IEC 62321-3-1:2013

Mariusz Rotuski
Pełnomocnik Zarządu ds. Certyfikacji
Representative of the Board for Certification

(GB) This declaration of conformity is issued under the sole responsibility of the manufacturer. (PL) Niniejsza deklaracja zgodności wydana zostaje na wyłączną odpowiedzialność producenta. (RO) Prezenta declarație de conformitate este emisă pe răspunderea exclusivă a producătorului. (LV) Šī atbilstības deklarācija ir izdota vienīgi uz šāda ražotāja atbildību. (LT) Ši atitikties deklaracija išduota tik gamintojo atsakomybe. (CZ) Toto prohlášení o shodě vydal na vlastní odpovědnost výrobce. (HU) E megfelelőségi nyilatkozat a gyártó kizárólagos felelősségére kerül kibocsátásra.

