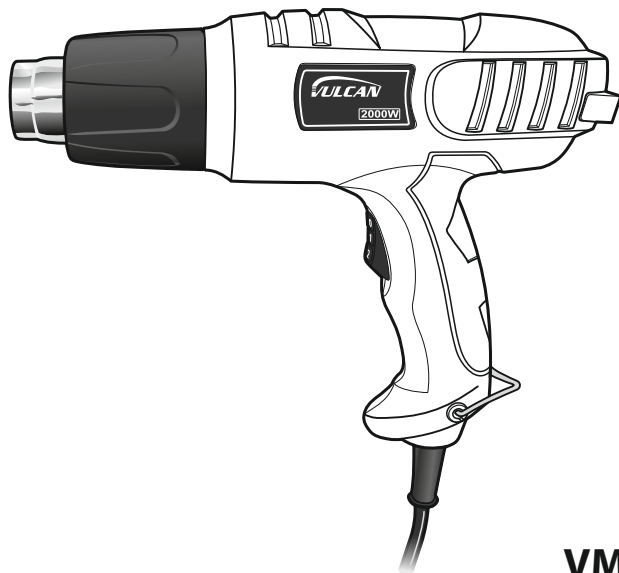
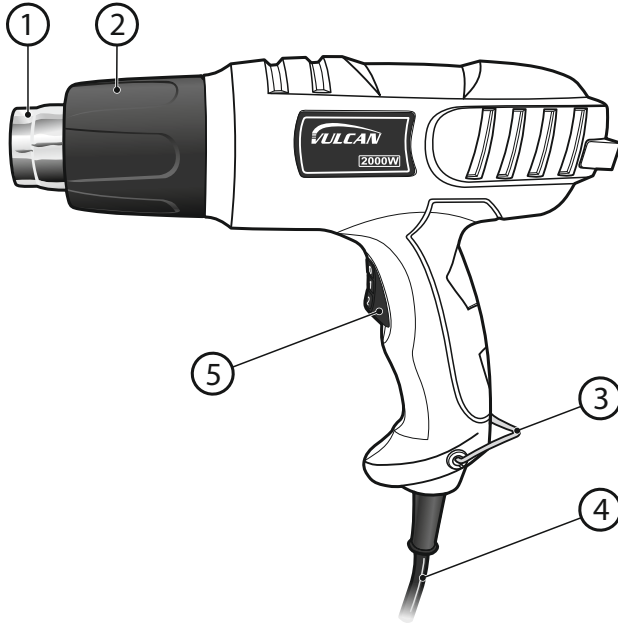
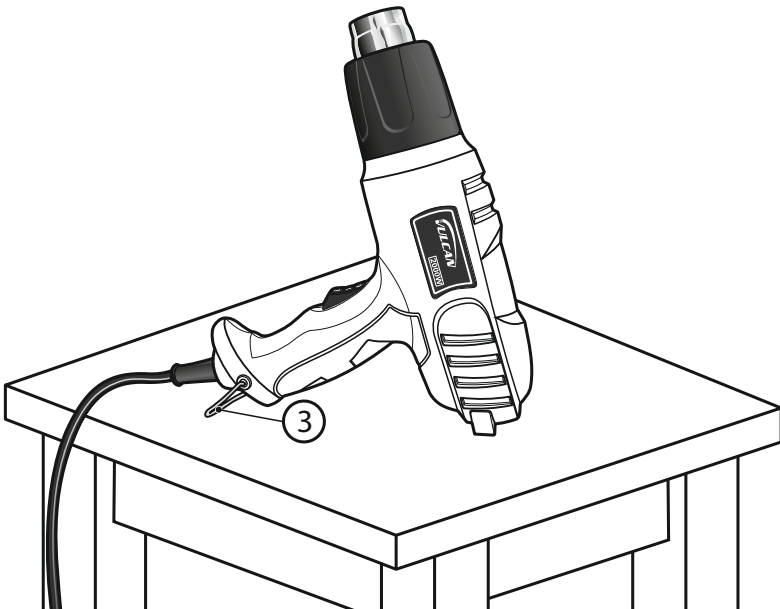


VULCAN



VML20068

GB	Instruction manual	HOT AIR GUN (HEAT GUN)	3
PL	Oryginalna instrukcja obsługi	DMUCHAWA GRZEJNA (OPALARKA)	7
RU	Инструкция по эксплуатации	ТЕРМОВОЗДУХОДУВКА	11
RO	Instrucții de folosire	PISTOLUL CU AER CALD.....	16
LV	Lietošanas instrukcija	KARSTĀ GAISA PLŪSMAS ĢENERATORS	20
CZ	Návod na obsluhu	OPALOVACÍ (POŽEHOVACÍ) PISTOLE.....	24
HU	Használati utasítások	FORRÓLEVEGŐS PISZTOLY.....	28
LT	Naudojimo instrukcija	KARŠTO ORO PŪSTUVAS.....	32

A**B**



BEFORE YOU START USING THE MACHINE READ THOROUGHLY THIS MANUAL.

Keep this document for future reference.



WARNING! Read all safety warnings marked with a symbol  and all operating safety instructions.

To limit the risk of fire, electric shock and injury while using the device, follow all operating safety instructions and tips provided below.

Keep all work safety instructions and tips for future reference.

In warnings provided herein the expression "power tool" means a power tool powered from the mains (with a power cord) or a battery powered power tool (cordless).



WARNING! General work safety warnings for use of the tool.

Workplace safety:

- Keep your workplace tidy and well lit. Untidiness and bad lighting result in higher accident rate.
- Do not use the power tool in explosive environments, created by flammable liquids, gases or dusts. The power tool generates sparks that can ignite dust or vapors.
- Keep children and unauthorized persons away from the place where the power tools are used. Inattention may result in losing control over your power tool.



WARNING! General warnings regarding the use of power tools.

Electrics safety:

- Plugs used in power tools must match wall outlets. Never modify the plug of your power tool. Do not use any extension cables when operating a power tool with a grounding/earthing conductor (PE). Any modifications of plugs and outlets increase the risk of electric shock.
- Avoid touching earthed surfaces or grounded items like pipes, heaters, central heating radiators and refrigerators. Touching earthed or grounded surfaces increases the risk of electric shock.
- Do not expose your power tool to rain or damp environments. Water penetrating the tool increases the risk of electric shock.
- Do not damage the power cord. Never use the power cord to carry, pull the power tool and do not pull by its power cord to disconnect plug from the outlet. Keep the power cord away from sources of heat, oils, sharp edges and moving parts. Damaged or entangled power cords increase the risk of electric shock.
- When your power tool is operated outdoors use extension cords intended for outdoor use only. Using an extension cable intended for outdoor use decreases the risk of electric shock.
- When it is unavoidable to use your power tool in a damp environment use an RCD (Residual Current Device) for protection. The use of RCDs decreases the risk of electric shock.



WARNING! General warnings regarding the use of power tools.

Personal safety:

- This equipment is not intended for use by persons (including children) disabled physically, mentally, sensorial or persons with no experience and knowledge in operating the equipment unless they operate the equipment under supervision or follow user's instructions provided by persons responsible for their safety.
- It is necessary to predict steps, watch and keep common sense when using power tools. Do not operate power tools when you are tired, under influence of drugs, medicine or alcohol. A moment of inattention while operating a power tool may result in serious personal injury.
- Use personal protective equipment (PPE). Always wear safety goggles. Wearing personal protective equipment (PPE) including a dust mask, anti-slippery footwear, a helmet and ear protection reduces personal injury.
- Avoid unexpected start up. Before connecting your power tool to the mains and/or inserting a battery make sure its power switch is in off position. Carrying your power tool with a finger on its power switch or without disconnecting it from the mains (switched on) may result in an accident.
- Before starting your power tool remove any keys/wrenches. Leaving a key/wrench in the rotating part of your power tool may result in personal injury.
- Do not lean forward too far. Always remain stable and maintain balance. It will allow you to have a better control over your power tool in unpredictable situations.
- Wear appropriate clothing. Do not wear loose clothes or jewelry. Keep your hair tied. Keep your clothes away from moving parts. Loose clothes, jewelry or long hair may be caught by moving parts.
- If your power tool allows for using an external dust extraction or collection system, make sure it is connected and used properly. Using dust collectors may reduce dust affected risks.



WARNING! General warnings regarding the use of power tools.

Use and taking care of your power tool:

- Do not overload your power tool. Use a power tool with power adjusted to work being done. An appropriately chosen power tool will allow you to work better and safer under load it has been designed for.
- Do not use a power tool when its power switch is out of order (it does not switch it on or off). Any power tool with its power switch out of order is dangerous and must be repaired.
- Always disconnect the plug from the power source and/or disconnect its battery before changing any settings, performing replacement or storage. Such preventive measures reduce the risk of accidental power tool start up.
- Keep your power tool out of reach of children and do not allow unauthorized persons to use the power tool. Power tools in hands of untrained persons can be dangerous.

- e) **Power tools require maintenance.** Check power tools for concentricity or jamming of moving parts, any cracks and all other factors affecting the power tool work safety. If any damage to the power tool is detected, it should be repaired before use. *Improper power tool maintenance is a reason for many accidents.*
- f) **Cutting tools should be sharp and clean.** Keeping sharp cutting edges in good condition reduces the risk of jamming and facilitates operation.
- g) **Power tools, equipment, working tools etc. should be used according to this user's manual taking into account operating conditions and the work to be done.** *Misusing a power tool can result in dangerous situations.*
- h) **At low temperatures and after a long brakes in operation it is recommended to turn the power tool to operate it with no load for a few minutes to provide proper grease distribution inside its driving mechanism.**
- i) **Use soft, damp (cannot be wet) cloth and soap to clean power tools. Do not use petrol, solvents and other agents that may damage your equipment.**
- j) **Power tools can be stored/carried after making sure that all moving components are locked and protected against release with original devices intended for this purpose.**
- k) **Store power tools in a dry, dust and water-protected place.**
- l) **Carry your power tool in its original packaging to provide protection against mechanical damage.**



WARNING! General warnings regarding the use of power tools.

Repair:

- a) **Power tools can be repaired by competent persons only who use original spare parts.** *It will provide safe operation for the power tool.*



WARNING! HOT AIR GUN, additional safety instructions –

Workplace safety:

- a) **Always work in a well ventilated area.** *Gases, vapors and fumes generated during operation are frequently dangerous to human health.*
- b) **Do not use the hot air gun near flammable material and explosive gas storage areas.**
The device produces hot air that can be a source (e.g. by careless handling) of fire or explosion! Be aware that heat can be transferred to flammable materials beyond the field of view.
- c) **Do not point the nozzle with hot air at other persons, animals and towards the places where flammable materials are stored.**

Electrical safety:

- a) **Do not use the device when it rains or under high humidity conditions.** *It may result in injuries or death caused by electric shock.*
- b) **When operating the hot air gun outdoors always use a residual current device (RCD).** *The use of RCD reduces the risk of electric shock.*

- c) **Before each use check the tool, its power cord and plug for any damage.** If any damage is found, stop working and have the tool repaired sending it to a service center (the address provided in the warranty card). *Using a defected device can be dangerous to health and life. Never open its housing as the tool does not contain any user serviceable parts.*
- d) **Do not put any objects into the nozzle.** *It may result in damage to the tool and electric shock.*
- e) **The power cord should be placed behind the tool at all times during operation.**
- f) **Do not point the hot air stream at the power cord and do not touch the power cord with the nozzle when hot.** *It may result in damage to its insulation and electric shock.*
- g) **Do not carry or hang the tool on its power cord.**
- h) **Do not use a power tool with its power cord damaged. Do not touch the power cord when damaged; if the damage to power cord occurs during operation, unplug the cord from the mains socket.** *Damaged power cords increase the risk of electric shock.*



WARNING!

If the undetachable power cord is damaged, it should be replaced either by the manufacturer or by an authorized service center or a qualified electrician to avoid any risks.

Personal safety:

- a) **When processing plastics, paints, varnishes and other materials, flammable and toxic gases are generated. Do not use the tool near flammable materials and explosive gases.**
- b) **To provide protection against vapors and fumes wear a special mask protecting against dusts and vapors emitted by lead-containing paints and bear in mind the safety of other persons staying at your workplace.**
- c) **Danger of burns! Never touch the nozzle when hot. Always wear protective gloves.**
- d) **Do not look into the nozzle when the tool is on.**
- e) **Always wear safety goggles when operating the tool.**
- f) **Do not use the tool as a hair dryer!** *The hot air emitted by the hot air gun exceeds the temperature of air provided by a hair dryer.*

Working instructions and use tips:

- a) **Protect the hot air gun against impacts and surface damage caused by sharp objects.**
- b) **The tool should be supervised at all times during operation. Never leave the hot air gun unattended when it is on.**
- c) **Before you use the tool always check air inlet and outlet for any obstacles restricting a free air flow.**
- d) **Avoid pointing the tool at the same place for a longer period.**
- e) **Do not burn the paint as it may result in fire.** *Keep the paint away from the nozzle, as it can ignite after some period.*
- f) **Do not obstruct either air inlets or nozzle outlet as it can result in excessive temperature and damage to the tool.** *Do not keep the hot air outlet closer than 5 cm from the surface processed.*
- g) **Do not put the nozzle on any object during and directly after operation.** *Do not place the tool on its side. If you put the tool aside*

always place it with its nozzle upwards on its wire support (3).

- h) **When you stop using the tool, during breaks or carrying out any maintenance operations (e.g. inspections, cleaning, adjustments) always unplug the power cord from the mains socket.**
- i) **When you stop using the tool, allow to cool it down first with its nozzle upwards, then put it on storage. Never touch the metal outlet nozzle directly after turning the tool off as it can result in serious burns.**
- j) **Never allow children to use the tool.**

APPLICATIONS AND CONSTRUCTION:

The hot air gun is a portable power tool. It features small dimensions, ergonomic design, low noise emission, high speed air flow and two-step temperature adjustment.

The tool is intended for removing paint coats, shaping and welding plastics and fitting shrinking plastic tubing. It can be also used to soften adhesives and defrost water pipes.

Do not use the tool in professional applications. Any use in applications other than indicated is prohibited and results in making the warranty void and null and waiving manufacturer's liability for any resulting damage.

Any modification to the tool carried out by the user waives manufacturer's liability for damage to the tool, user or other property.

■ The set includes:

- Hot air gun - 1 piece
- User's manual - 1 piece
- Warranty card - 1 piece

■ Tool components (see Fig. A):

The numbering of tool components refers to graphics presented on page 2 of the user's manual:

- 1. Outlet nozzle
- 2. Nozzle protection
- 3. Wire support
- 4. Power cord
- 5. On/off switch / Operation mode selector

TECHNICAL DATA:

Voltage	230 V
Frequency	50 Hz
Power consumption (1/2)	1000 W / 2000W
Operation temperature (1/2)	450°C / 600°C
Air flow (1/2), approx.	350 l/min / 500 l/min
Device class	II
Ingress protection (IP)	IP20
Weight	1,0 kg

■ Noise emission information

Values measured according to EN 50 144 standard.

Sound pressure value measured is lower than 70 dB (A).

BEFORE YOU START:

1. Make sure that power supply parameters meet the requirements provided on the tool nameplate.
2. Main switch (5) is a three-position one (0-off, 1- 450 °C, 2- 600 °C). Make sure the tool switch is in off position. Connecting the tool to the mains socket when its switch is in on position can result in serious accident, as the hot air gun starts immediately.
3. When your workplace is too far to plug the tool directly to the mains socket, use an extension cord with a cable cross-section meeting the tool requirements. Extension cords should be as short as possible. When in use extension cords must be fully uncoiled.

OPERATION:

■ Switching on/off

- To switch on the tool set the on/off switch/ operation mode selector (5) to position 1 or 2.
- To switch the tool off set the on/off switch/ operation mode selector (5) to position 0.

■ Setting temperature and air flow

The on/off switch/ operation mode selector (5) can be set in two positions.

The air flow and temperature required can be adjusted by using the table:

Operation mode 1	350 l/min - 450°C
Operation mode 2	500 l/min - 600°C

NOTE: After changing from higher to lower temperature always allow the tool to cool down.

It is recommended to reduce the air flow when:

- the material you process can be heated only partly;
- there's a risk of moving the object by the air stream.

The distance to the object processed depends on the kind of material processed.

The most appropriate temperature can be selected by carrying out a trial. Therefore, it is recommended to start operation at the lower temperature setting.

■ Overheat protection

When the heater temperature is too high (e.g. the air flow is restricted) the overheat protection switches it off automatically, however the blower remains on. When the tool cools down to operation temperature, the heater switches on again.

WORKING TIPS:

NOTE! Avoid holding the tool perpendicularly to surface processed. It results in hot air reflection and sucking it back by the motor rotor. It results in increasing temperature inside the motor and damage to the tool. The hot air gun should be held at an angle of approx. 45° to the surface processed.

Before you stop operation, switch the operation mode to the lower temperature to allow the heating element to cool down. It extends heating element life.

■ Removing the nozzle protection

When operating the tool in restricted space workplaces it is possible to remove nozzle protection (2).

NOTE: When operating the tool with its nozzle protection off the risk of burns increases. Be careful!

To remove or install the nozzle protection switch the tool off and allow to cool it down completely.

Turn the nozzle protection (2) counterclockwise until resistance is felt, then remove, or put it onto the tip and turn clockwise to lock in place.

■ Putting the tool aside

To cool down the tool or to provide both hands free, place the hot air gun with its nozzle upwards on its wire support (3) placed on a horizontal surface (see Fig. B).

NOTE: Be especially careful when working with the tool aside! There's a risk of burns caused by its hot nozzle or hot air stream.

CLEANING AND MAINTENANCE:

1. Keep the tool clean and provide unrestricted air flow.
2. Protect the hot air gun against any penetration of water, dust and other small objects.
3. Do not clean the plastic housing with chemical cleaning agents. Use a slightly damp cloth and soap. Allow the tool housing to dry under natural conditions before you start to use it again.
4. Check the power cord for technical shape on a regular basis and

replace it immediately when any damage is found.

5. Contact a service center if any technical problems occur.

MANUFACTURER:

PROFIX Ltd.,
34 Marywilka Street,
03-228 Warsaw, POLAND.

PROTECTION OF THE ENVIRONMENT:



NOTE: The symbol nearby denotes that old equipment must never be thrown away together with other waste (with the penalty of a fine). Hazardous components of electronic equipment may adversely affect the natural environment and human health.

Each household may contribute to the recovery and reuse (recycling) of old machinery and equipment. Both in Poland and Europe a system for recovery of used equipment either exists or is being created. The system obliges all organizations that sell such equipment to collect the used machinery and appliances. Moreover, general purpose collecting points for such equipment are available.



The policy of the PROFIX company consists in permanent improvements of the offered products and therefore the company reserves the right to make amendments to the product specification without a prior notice. The images included into the operation manual are only of the exemplary nature and may slightly differ from actual appearance of the device purchased.

This instruction manual is protected by copyright. Copying it without the written consent of PROFIX Co. Ltd. is prohibited.



PRZED PRYZYSTĄPIENIEM DO UŻYTKOWANIA NALEŻY ZAPOZNAĆ SIĘ Z NINIEJSZĄ INSTRUKCJĄ.

Zachowaj instrukcje do ewentualnego przyszłego wykorzystania.



OSTRZEŻENIE! Należy przeczytać wszystkie ostrzeżenia dotyczące bezpieczeństwa użytkowania oznaczone symbolem ⚠ i wszystkie wskazówki dotyczące bezpieczeństwa użytkowania.

Nieprzebrnięcie podanych niżej ostrzeżeń dotyczących bezpieczeństwa i wskazówek dotyczących bezpieczeństwa może być przyczyną porażenia prądem elektrycznym, pożaru i/lub poważnych obrażeń.

Zachowaj wszystkie ostrzeżenia i wskazówki dotyczące bezpieczeństwa, aby móc skorzystać z nich w przyszłości.

W podanych niżej ostrzeżeniach wyrażenie „elektronarzędzie” oznacza elektronarzędzie zasilane z sieci (z przewodem zasilającym) lub elektronarzędzie zasilane z akumulatora (bezwolnowe).



OSTRZEŻENIE! Ogólne ostrzeżenia dotyczące bezpieczeństwa użytkowania narzędzia.

Bezpieczeństwo w miejscu pracy:

- W miejscu pracy należy utrzymywać porządek i dobre oświetlenie. Nieporządek i złe oświetlenie przyczynia się do wypadków.
- Nie należy używać elektronarzędzia w środowiskach wybuchowych, tworzonych przez łatwo palne ciecze, gazy lub pyły. Elektronarzędzie wytwarza iskry, które mogą zapalić pył lub opary.
- Nie należy dopuszczać dzieci i obserwatorów do miejsc, w których używa się elektronarzędzi. Rozproszenie uwagi może spowodować utratę kontroli nad elektronarzędziem.



OSTRZEŻENIE! Ogólne ostrzeżenia dotyczące bezpieczeństwa użytkowania narzędzia.

Bezpieczeństwo elektryczne:

- Wtyczki elektronarzędzi muszą pasować do gniazdek. Nigdy w żaden sposób nie należy przerabiać wtyczki. Nie należy używać żadnych przedłużaczy w przypadku elektronarzędzi mających przewód z żyłą uziemienia ochronnego. Brak przeróbek we wtyczkach i gniazdkach wtyczkowych zmniejsza ryzyko porażenia prądem elektrycznym.
- Należy unikać dotykania powierzchni uziemionych lub zwartych z masą, takich jak rury, ogrzewacze, grzejniki centralnego ogrzewania i chłodziarki. W przypadku dotknięcia części uziemionych lub zwartych z masą, wzrasta ryzyko porażenia prądem elektrycznym.
- Nie należy narażać elektronarzędzi na działanie deszczu lub warunków wilgotnych. W przypadku przedostania się do elektronarzędzia wody, wzrasta ryzyko porażenia prądem elektrycznym.
- Nie należy nadwierać przewodów przyłączeniowych. Nigdy nie należy używać przewodu przyłączeniowego do

przenoszenia, ciągnięcia elektronarzędzia lub wyciągania wtyczki z gniazdka. Należy trzymać przewód przyłączeniowy z daleka od źródeł ciepła, olejów, ostrych krawędzi lub ruchomych części. Uszkodzone lub zaplątane przewody przyłączeniowe zwiększają ryzyko porażenia prądem elektrycznym.

- W przypadku, gdy elektronarzędzie używa się na wolnym powietrzu, przewody przyłączeniowe należy przedłużać przedłużaczami przeznaczonymi do pracy na wolnym powietrzu. Używanie przedłużacza przeznaczonego do pracy na wolnym powietrzu zmniejsza ryzyko porażenia prądem elektrycznym.
- W przypadku, gdy używanie elektronarzędzia w środowisku wilgotnym jest nieuniknione, jako ochronę przed napięciem zasilania należy stosować urządzenie różnicowoprądowe (RCD). Zastosowanie RCD zmniejsza ryzyko porażenia prądem elektrycznym.



OSTRZEŻENIE! Ogólne ostrzeżenia dotyczące bezpieczeństwa użytkowania narzędzia.

Bezpieczeństwo osobiste:

- Niniejszy sprzęt nie jest przeznaczony do użytkowania przez osoby (w tym dzieci) o ograniczonej zdolności fizycznej, czuciowej lub psychicznej, lub osoby nie mające doświadczenia lub znajomości sprzętu, chyba że odbywa się to pod nadzorem lub zgodnie z instrukcją użytkowania sprzętu, przekazanej przez osoby odpowiadające za ich bezpieczeństwo.
- Należy być przewidującym, obserwować co się robi i zachowywać rozsądek podczas używania elektronarzędzia. Nie należy używać elektronarzędzia, gdy jest się zmęczonym lub pod wpływem narkotyków, alkoholu lub leków. Chwila nieuwagi podczas pracy elektronarzędziem może spowodować poważne osobiste obrażenia.
- Należy stosować wyposażenie ochronne. Należy zawsze zakładać okulary ochronne. Używanie w odpowiednich warunkach wyposażenia ochronnego, takiego jak maska przeciwpyłowa, obuwie antypoślizgowe, kask lub ochronniki słuchu, zmniejsza osobiste obrażenia.
- Należy unikać niezamierzonego rozruchu. Przed przyłączeniem do źródła zasilania i/lub przed podłączeniem akumulatora oraz zanim podniesie się lub przeniesie się narzędzie należy upewnić się, że wtycznik elektronarzędzia jest w pozycji wyłączony. Przenoszenie elektronarzędzia z palcem na wtyczniku lub przyłączenie elektronarzędzia do sieci zasilającej przy załączonym wyłączniku może być przyczyną wypadku.
- Przed uruchomieniem elektronarzędzia należy usunąć wszystkie klucze. Pozostawienie klucza w obracającej się części elektronarzędzia może spowodować osobiste obrażenia.
- Nie należy wychylać się za daleko. Należy cały czas stać pewnie i zachować równowagę. Umożliwi to lepszą kontrolę nad elektronarzędziem w sytuacjach nieprzewidywalnych.
- Należy odpowiednio się ubierać. Nie należy nosić luźnego ubrania ani biżuterii. Należy utrzymywać swoje włosy,

ubranie i rękawiczki z dala od części ruchomych. Luźne ubrania, biżuteria lub długie włosy mogą zostać zaczepione przez części ruchome.

- h) Jeżeli urządzenia są przystosowane do przyłączenia zewnętrznego odciągu pyłu i pochłaniacza pyłu, należy upewnić się, że są one przyłączone i prawidłowo użyte. Użycie pochłaniacza pyłu może zredukować zagrożenia zależne od zapylenia.



OSTRZEŻENIE! Ogólne ostrzeżenia dotyczące bezpieczeństwa użytkowania narzędzia.

Użytkowanie i troska o elektronarzędzie:

- a) Nie należy elektronarzędzia przeciążać. Należy stosować elektronarzędzie o mocy odpowiedniej do wykonywanej pracy. Właściwe elektronarzędzie umożliwi pracę lepszą i bezpieczniejszą przy obciążeniu, na jakie zostało zaprojektowane.
- b) Nie należy używać elektronarzędzia, jeżeli łącznik go nie załącza i nie wyłącza. Każde elektronarzędzie, którego nie można załączać lub wyłączać łącznikiem, jest niebezpieczne i musi zostać naprawione.
- c) Należy odłączyć wtyczkę ze źródła zasilania elektronarzędzia i/lub odłączyć akumulator przed wykonaniem każdej nastawy, wymiany części lub magazynowaniem. Takie zapobiegawcze środki bezpieczeństwa redukują ryzyko przypadkowego rozruchu elektronarzędzia.
- d) Nieużywane elektronarzędzie należy przechowywać poza zasięgiem dzieci i nie należy pozwalać osobom nieznanym z elektronarzędziem lub niniejszą instrukcją na używanie elektronarzędzia. Elektronarzędzia są niebezpieczne w rękach nieprzeszkolonych użytkowników.
- e) Elektronarzędzia należy konserwować. Należy sprawdzać współosiowość lub zakleszczenie się części ruchomych, pęknięcia części i wszystkie inne czynniki, które mogą mieć wpływ na pracę elektronarzędzia. Jeżeli stwierdzi się uszkodzenia, należy elektronarzędzie przed użyciem naprawić. Przyczyną wielu wypadków jest niefachowy sposób konserwacji elektronarzędzia.
- f) Narzędzia tnące powinny być ostre i czyste. Odpowiednie utrzymywanie ostrych krawędzi narzędzi tnących zmniejsza prawdopodobieństwo zakleszczenia i ułatwia obsługę.
- g) Elektronarzędzie, wyposażenie, narzędzia robocze itp. należy stosować zgodnie z niniejszą instrukcją, biorąc pod uwagę warunki pracy i rodzaj pracy do wykonania. Używanie elektronarzędzia w sposób, do jakiego nie jest przewidziane, może spowodować niebezpieczne sytuacje.
- h) W niskich temperaturach, lub po dłuższym okresie nie użytkowania, zalecane jest włączenie elektronarzędzia bez obciążenia na okres kilku minut w celu właściwego rozprowadzenia smaru w mechanizmie napędu.
- i) Do czyszczenia elektronarzędzi stosować miękką, wilgotną (nie mokra) szmatkę i mydło. Nie stosować benzyny, rozpuszczalników i innych środków mogących uszkodzić urządzenie.
- j) Elektronarzędzie należy przechowywać/transportować po upewnieniu się, że wszystkie jego elementy ruchome są zablokowane i zabezpieczone przed odblokowaniem za

pomocą oryginalnych elementów do tego przeznaczonych.

- k) Elektronarzędzie należy przechowywać w miejscu suchym, zabezpieczone przed kurzem i wnikaniem wilgoci.
- l) Transportowanie elektronarzędzia powinno odbywać się w opakowaniu oryginalnym, zabezpieczającym przed uszkodzeniami mechanicznymi.



OSTRZEŻENIE! Ogólne ostrzeżenia dotyczące bezpieczeństwa użytkowania narzędzia.

Naprawa:

- a) Naprawę elektronarzędzia należy zlecać wyłącznie osobie wykwalifikowanej, wykorzystującej wyłącznie oryginalne części zamienne. Zapewni to, że użytkowanie elektronarzędzia będzie nadal bezpieczne.



OSTRZEŻENIE! DMUCHAWA GRZEJNA, dodatkowe ostrzeżenia dotyczące bezpieczeństwa –

Bezpieczeństwo w miejscu pracy:

- a) Należy pracować w dobrze wentylowanym miejscu pracy. Powstaające w czasie pracy gazy i opary są często szkodliwe dla zdrowia.
- b) Nie wolno posługiwać się dmuchawą grzejną, zwaną dalej «opalarką», w pobliżu miejsc składowania materiałów palnych lub gazów wybuchowych. Silne działanie nagrzewania (np. przez niestaranne obchodzenie się) tym urządzeniem powoduje podwyższone niebezpieczeństwo pożaru i wybuchu! Należy mieć świadomość, że ciepło może być przenoszone do materiałów palnych będących poza polem widzenia.
- c) Nie wolno kierować dyszy, z wypływającym gorącym strumieniem powietrza, w stronę innych osób, zwierząt i w stronę gdzie znajdują się materiały palne.

Bezpieczeństwo elektryczne:

- a) Nie używać urządzenia podczas deszczu lub w warunkach podwyższonej wilgotności. Może to być przyczyną zranienia lub zagrożenia życia przez porażenie prądem elektrycznym.
- b) Przy używaniu opalarki na świeżym powietrzu należy stosować urządzenie różnicowoprądowe (RCD). Zastosowanie RCD zmniejsza ryzyko porażenia prądem elektrycznym.
- c) Przed każdym włączeniem sprawdzić urządzenie, przewód zasilający i wtyczkę. W przypadku stwierdzenia uszkodzenia, przerwać pracę i zlecić naprawę urządzenia uprawnionemu punktowi serwisowemu (adres podany jest w karcie gwarancyjnej). Kontynuowanie pracy uszkodzoną opalarką zagraża zdrowiu lub życiu. Nie otwieraj nigdy samemu urządzenia.
- d) Nie wtykać żadnych przedmiotów do dyszy. Może to doprowadzić do uszkodzenia urządzenia i porażenia prądem elektrycznym.
- e) Przewód zasilający prowadzić zawsze z tyłu urządzenia.
- f) Nie wolno kierować strumienia gorącego powietrza na przewód zasilający i dotykać przewodu zasilającego rozgrzaną dyszę. Grozi to stopieniem izolacji i porażeniem prądem elektrycznym.
- g) Nie przenosić i nie wieszać urządzenia na przewodzie zasilającym.
- h) Nie wolno używać elektronarzędzia z uszkodzonym przewodem zasilającym. Nie należy dotykać uszkodzonego przewodu; w przypadku uszkodzenia przewodu podczas pracy, należy wyciągnąć wtyczkę z gniazda. Uszkodzone

przewody podwyższają ryzyko porażenia prądem.



OSTRZEŻENIE!

Jeżeli przewód zasilający nieodłączalny ulegnie uszkodzeniu, to powinien on być wymieniony u wytwórcy lub w specjalistycznym zakładzie naprawczym albo przez wykwalifikowaną osobę w celu uniknięcia zagrożenia.

Bezpieczeństwo osobiste:

- Podczas obróbki tworzyw sztucznych, farb, lakierów i podobnych materiałów mogą powstawać łatwopalne i trujące gazy. Narzędzia nie należy używać w pobliżu łatwopalnych gazów lub materiałów.
- Dla ochrony przed parami zakładaj specjalną maskę, chroniącą przed pyłami i oparami z farb olejowych, i zadbaj też o bezpieczeństwo innych osób przebywających w miejscu pracy.
- Niebezpieczeństwo oparzenia! Nigdy nie dotykaj gorącej dyszy. Zawsze stosować rękawice ochronne.
- Gdy urządzenie jest włączone, nigdy nie zaglądać do dyszy.
- Podczas pracy zawsze stosować okulary ochronne.
- Nie używaj urządzenia jako suszarki do włosów! Temperatura powietrza z urządzenia znacznie przekracza temperaturę powietrza z suszarki.

Użytkowanie i troska o elektronarzędzie:

- Chronić opalarkę przed uderzeniami lub uszkodzeniami powierzchni przez ostre przedmioty.
- W czasie użytkowania opalarka musi znajdować się pod nieustannym nadzorem. Nie można pozostawiać włączonej opalarki bez opieki.
- Przed rozpoczęciem użytkowania opalarki najpierw trzeba skontrolować wlot i wylot powietrza i usunąć ewentualne elementy tamujące swobodny przepływ powietrza.
- Unikać kierowania urządzenia na dłuższy czas w to samo miejsce.
- Nie spalać farby, gdyż grozi to pożarem. Uważaj, by farba nie przykleiła się do dyszy, gdyż po jakimś czasie może się zapalić.
- Nie zasłaniaj szczelin wlotowych powietrza ani wylotu dyszy, gdyż może to doprowadzić do nadmiernego wzrostu temperatury i uszkodzenia sprzętu. Wylotu dyszy nie należy zbliżać do obrabianego przedmiotu bliżej niż 5 cm.
- W czasie pracy i bezpośrednio po jej zakończeniu nie opieraj dyszy o żaden przedmiot. Nie wolno kłaść opalarki na jej boku. Jeżeli odstawiamy opalarkę, to powinna ona być zawsze postawiona w pozycji pionowej na jej drucianej podstawie (3).
- W czasie wszystkich przerw w pracy, nieużytkowaniu urządzenia i przed przystąpieniem do jakichkolwiek czynności przy urządzeniu (np. przeglądach, czyszczeniu, regulacji) wyciągnąć wtyczkę z gniazdka.
- Po zakończeniu pracy opalarką, najpierw należy ją odłożyć dyszą do góry, aby ostygła, dopiero można ją schować. Nigdy nie dotykać metalowej dyszy wylotowej tuż po wyłączeniu opalarki, może to grozić poważnymi oparzeniami.
- Nigdy nie zezwalać na obsługę urządzenia przez dzieci.

BUDOWA I PRZEZNACZENIE OPALARKI:

Opalarka jest ręcznym elektronarzędziem. Cechuje się małymi

wymiarami, ergonomicznym kształtem, niskim poziomem hałasu, dużą prędkością wypływającego powietrza, dwustopniową regulacją temperatury pracy.

Urządzenie jest przeznaczone do usuwania powłok malarskich, formowania i spawania tworzyw sztucznych i do obkurczania „koszulek” termokurczliwych. Urządzenie może być również stosowane do zmiękania kleju i odmrażania przewodów wodociągowych.

Nie wolno wykorzystywać narzędzia do wykonywania prac wymagających zastosowania profesjonalnego urządzenia.

Każde użycie opalarki niezgodne z przeznaczeniem podanym wyżej jest zabronione i powoduje utratę gwarancji oraz brak odpowiedzialności producenta za powstałe w wyniku tego szkody.

Jakiegolwiek modyfikacje urządzenia dokonane przez użytkownika zwalniają producenta z odpowiedzialności za uszkodzenia i szkody wyrządzone użytkownikowi i otoczeniu.

■ Kompletacja

- Opalarka - 1 szt.
- Instrukcja obsługi - 1 szt.
- Karta gwarancyjna - 1 szt.

■ Elementy urządzenia (patrz rys. A):

Numeracja elementów urządzenia odnosi się do przedstawienia graficznego umieszczonego na stronie 2 instrukcji obsługi:

- Dysza wylotowa
- Ośłona dyszy
- Podstawa druciana
- Przewód zasilający
- Włącznik / Przełącznik trybu pracy

DANE TECHNICZNE:

Napięcie znamionowe	230 V
Częstotliwość znamionowa	50 Hz
Moc znamionowa (1/2)	1000 W / 2000W
Temperatura pracy (1/2)	450°C / 600°C
Przepływ powietrza (1/2), ok.	350 l/min / 500 l/min
Klasa narzędzia	II
Stopień ochrony	IP20
Masa	1,0 kg

■ Informacja na temat hałasu

Wartości pomiarowe wyznaczone zgodnie z EN 50 144.

Zmierzony poziom ciśnienia akustycznego urządzenia jest mniejszy niż 70 dB(A).

PRZED PRZYSTĄPIENIEM DO PRACY:

- Upewnić się czy źródło zasilania, do którego ma być podłączona opalarka, odpowiada swoimi parametrami wymaganiom podanym na tabliczce znamionowej opalarki.
- Włącznik główny (5) trzypozycyjny (0-wył., 1-450°C, 2-600°C).

Upewnić się, czy włącznik główny jest w położeniu wyłączenia. W przypadku włożenia wtyczki do gniazdka, w sytuacji gdy włącznik główny jest w położeniu włączenia, może dojść do poważnego

- wypadku, gdyż opalarka natychmiastowo rozpoczyna pracę.
3. W przypadku gdy miejsce pracy jest oddalone od gniazdko, należy użyć przedłużacza, o odpowiednim przekroju przewodu dostosowanego do wielkości pobieranego prądu. Zaleca się stosowanie jak najkrótszych przedłużaczy. Przedłużacz powinien być całkowicie rozwinięty.

W TRAKCIE PRACY:

■ Włączanie/wyłączanie

- W celu włączenia włącznik/przełącznik trybu pracy (5) nacisnąć na pozycję 1 lub 2.
- W celu wyłączenia włącznik/przełącznik trybu pracy (5) nacisnąć do oporu na pozycję 0.

■ Regulacja temperatury oraz przepływu powietrza

Włącznik/przełącznik trybu pracy (5) może być ustawiony w dwóch pozycjach pracy.

Odpowiedni strumień powietrza oraz temperaturę można ustawić zgodnie z tabelą:

Tryb pracy 1	350 l/min - 450°C
Tryb pracy 2	500 l/min - 600°C

UWAGA: Przy przełączeniu temperatury z wyższej na niższą wymaga się pewien czas na ochłodzenie opalarki.

Zmniejszenie strumienia powietrza zaleca się podczas:

- ograniczonej możliwości nagrzania otoczenia obrabianego materiału;
- niebezpieczeństwa, gdy obrabiany przedmiot może być przemieszczony strumieniem powietrza.

Odległość dyszy do obrabianego przedmiotu stosowana jest według materiału obrabianego, ale nie może być mniejsza niż 5 cm.

W danym wypadku najbardziej odpowiednią temperaturę należy ustalić w próbie. Dlatego należy zacząć z niskim stopniem temperatury.

■ Zabezpieczenie termiczne

Przy nadmiernym nagrzaniu grzałki (np. przez ograniczony przepływ powietrza) zabezpieczenie termiczne wyłącza je automatycznie, jednak dmuchawa nadal działa. W chwili, gdy urządzenie ochłodziło się do temperatury pracy, grzałka włącza się ponownie.

WSKAZÓWKI ROBOCZE:

UWAGA! W czasie pracy unikać prostopadłego prowadzenia opalarki względem opalanej powierzchni. Powoduje to odbicie gorącego powietrza od powierzchni i ponownego zassania go przez wirnik silnika. Powoduje to wzrost temperatury wewnątrz silnika, co prowadzi do uszkodzenia opalarki. Opalarkę należy prowadzić pod kątem ok. 45° w stosunku do opalanej powierzchni.

Przed wyłączeniem opalarki należy przełączyć na kilkanaście sekund tryb pracy na najniższą temperaturę, celem wychłodzenia elementu grzejnego. Zwiększa to trwałość narzędzia.

■ Zdjęcie osłony dyszy wylotowej

Przy pracach w szczególnie wąskich miejscach osłona dyszy wylotowej (2) może być zdjęta.

UWAGA: Przy pracach bez osłony dyszy wylotowej istnieje podwyższone niebezpieczeństwo oparzenia się. Należy zachować ostrożność!

W celu zdjęcia lub nałożenia osłony dyszy wylotowej urządzenie musi być wyłączone i ochłodzone.

Oslonę dyszy wylotowej (2) obrócić do oporu w kierunku przeciwnym do ruchu wskazówek zegara i zdjąć, lub nałożyć i obrócić do oporu w kierunku ruchu wskazówek zegara.

■ Odstawienie urządzenia

W celu ochłodzenia rozgrzanego urządzenia lub by obydwie ręce były wolne przy pracy, należy ustawić opalarkę pionowo na jej drucianej podstawie (3) na poziomej powierzchni (patrz rys. B).

UWAGA: Przy pracach z odstawionym urządzeniem należy być szczególnie uważnym! Istnieje niebezpieczeństwo oparzenia się o gorącą dyszę lub na strumieniu gorącego powietrza.

OBSEŁUGA I KONSERWACJA:

1. Opalarkę należy utrzymywać w czystości, zapewniając swobodny przepływ powietrza.
2. Chronić opalarkę przed kontaktem z wodą i wnikaniem pyłu, kurzu i innych drobnych elementów do wnętrza maszyny.
3. Plastikowej obudowy opalarki nie wolno czyścić za pomocą chemicznych środków czyszczących. Stosować lekko wilgotną szmatkę i mydło. Opalarki wolno używać dopiero po dokładnym wyschnięciu obudowy w naturalnych warunkach.
4. Regularnie należy kontrolować stan techniczny przewodu zasilającego i w przypadku wykrycia uszkodzenia, przewód należy natychmiast wymienić.
5. W razie problemów technicznych prosimy kontaktować się z serwisem.

PRODUCENT:

Profix Sp. z o.o.,
ul. Marywilska 34,
03-228 Warszawa, Polska

OCHRONA ŚRODOWISKA:



UWAGA: Przedstawiony symbol oznacza zakaz umieszczenia użytego sprzętu łącznie z innymi odpadami (z zagrożeniem karą grzywny). Składniki niebezpieczne wpływające na sprzęcie elektrycznym i elektronicznym wpływają negatywnie na środowisko naturalne i zdrowie ludzi.

Gospodarstwo domowe powinno przyczyniać się do odzysku i ponownego użycia (recyklingu) użytego sprzętu. W Polsce i w Europie tworzony jest, lub już istnieje, system zbierania użytego sprzętu, w ramach którego wszystkie punkty sprzedaży ww. sprzętu mają obowiązek przyjmować użyty sprzęt. Ponadto istnieją punkty zbiórki ww. sprzętu.



Polityka firmy PROFIX jest polityką stałego udoskonalania swoich produktów i dlatego firma rezerwuje sobie prawo zmiany specyfikacji wyrobu bez uprzedniego zawiadomienia. Obrazki, podane w instrukcji obsługi, są przykładowe i mogą się nieznacznie różnić od rzeczywistego wyglądu zakupionego urządzenia.

Niniejsza instrukcja jest chroniona prawem autorskim. Kopiowanie/ powielanie jej bez pisemnej zgody firmy Profix Sp. z o.o. jest zabronione.



ПЕРЕД НАЧАЛОМ ЭКСПЛУАТАЦИИ НЕОБХОДИМО ОЗНАКОМИТЬСЯ С НАСТОЯЩЕЙ ИНСТРУКЦИЕЙ.

Хранить инструкцию для возможного применения в будущем.



ПРЕДУПРЕЖДЕНИЕ! Необходимо ознакомиться со всеми предупреждениями, касающимися безопасности при эксплуатации, обозначенными символом ⚠ и всеми указаниями по технике безопасности.

Несоблюдение указанных ниже предупреждений, касающихся безопасности и указаний по технике безопасности может привести к поражению электрическим током, пожару и/или серьёзным травмам тела.

Необходимо хранить все предупреждения и указания, касающиеся техники безопасности, чтобы можно было воспользоваться ними в будущем.

В указанных ниже предупреждениях слово „электроинструмент“ означает электроинструмент с питанием от сети (посредством электрического кабеля) или электроинструмент, питаемый от аккумулятора (беспроводное питание).



ПРЕДУПРЕЖДЕНИЕ! Общие предупреждения, касающиеся безопасности при эксплуатации инструмента.

Техника безопасности на рабочем месте:

- а) Необходимо поддерживать порядок и хорошее освещение на рабочем месте. Беспорядок и плохое освещение являются причиной несчастных случаев.
- б) На следует использовать электроинструмент во взрывоопасной среде, образующейся легко воспламеняющимися жидкостями, газами или пылью. Электроинструмент создаёт искры, которые могут привести к воспламенению пыли или испарений.
- в) Не допускать детей и наблюдателей в места, в которых применяются электроинструменты. Отвлечение внимания может привести к потере контроля над электроинструментом.



ПРЕДУПРЕЖДЕНИЕ! Общие предупреждения, касающиеся безопасности при эксплуатации инструмента.

Электробезопасность:

- а) Штепсельные вилки должны соответствовать сетевым розеткам. Ни в коем случае не переделывать каким-либо образом штепсельную вилку. Не применять каких-либо удлинителей электропитания в случае использования электроинструментов, имеющих провод электропитания с защитным заземляющим проводником. Отсутствие переделок штепсельных розеток и сетевых розеток снижает опасность поражения электрическим током.
- б) Необходимо избегать прикосновения к поверхности заземлённых или закороченных на массу элементов,

таких как трубы, нагреватели, радиаторы центрального отопления и холодильные агрегаты. В случае прикосновения заземлённого или закороченного на массу элемента увеличивается опасность поражения электрическим током.

- в) Не подвергать электроинструменты воздействию дождя или влажных условий. В случае попадания в электроинструмент воды увеличивается опасность поражения электрическим током.
- г) Не создавать опасности повреждения кабеля электропитания. Ни в коем случае не использовать кабеля электропитания, чтобы переносить или тянуть электроинструмент или для извлечения штепсельной вилки из розетки. Кабель электропитания должен находится вдали от источников тепла, масел, острых краёв и движущихся частей. Повреждённые или запутанные кабели электропитания увеличивают опасность поражения электрическим током.
- д) Если электроинструмент эксплуатируется на свежем воздухе, следует использовать удлинители кабеля электропитания, предназначенные для работы вне помещений. Использование удлинителя кабеля электропитания, предназначенного для работы вне помещений, снижает опасность поражения электрическим током.
- е) Если эксплуатация электроинструмента во влажной среде неизбежна, в качестве защиты от напряжения питания необходимо использовать защитное устройство по разностному току (RCD). Применение защитного устройства по разностному току снижает опасность поражения электрическим током.



ПРЕДУПРЕЖДЕНИЕ! Общие предупреждения, касающиеся безопасности при эксплуатации инструмента.

Индивидуальная безопасность:

- а) Настоящее оборудование не предназначено для эксплуатации лицами (включая детей) с физическими, сенсорными или умственными ограничениями или лицами, не имеющими опыта или не знающими оборудования, разве что это осуществляется под надзором или в соответствии с инструкцией по эксплуатации оборудования, переданной лицами, отвечающими за их безопасность.
- б) Необходимо быть предусмотрительным, наблюдать за работой и руководствоваться здравым смыслом во время эксплуатации электроинструмента. Не следует эксплуатировать электроинструмент в состоянии переутомления или находясь под действием наркотиков, алкоголя или лекарств. Мгновение невнимания во время эксплуатации электроинструмента может быть причиной травмы пользователя.
- в) Необходимо применять средства личной защиты.

Необходимо обязательно работать с защитными очками. Применение в соответствующих условиях средств личной защиты, таких как противопыльный респиратор, противоскользкая обувь, каска или средства защиты слуха снизит риск получения травмы.

- г) Необходимо избегать случайного запуска в работу. Прежде чем вставить вилку кабеля электропитания в сетевую розетку или подключить аккумулятор, а также перед тем, как поднять или перенести электроинструмент, необходимо убедиться, что включатель электроинструмента находится в положении «выключено». Перенос электроинструмента с пальцем на выключателе или подключение электроинструмента к сети питания при включенном выключателе может привести к несчастному случаю.
- д) Прежде, чем запустить электроинструмент в работу, необходимо устранить все ключи. Ключ, оставшийся во вращающейся части электроинструмента, может привести к травме пользователя.
- е) Не следует слишком сильно наклоняться. Необходимо всё время сохранять устойчивость и равновесие. Это позволяет лучше контролировать электроинструмент в неожиданных ситуациях.
- ж) Необходимо иметь соответствующую одежду. Не работать в свободной одежде или с бижутерией. Необходимо, чтобы волосы пользователя, его одежда и рукавицы находились вдали от движущихся элементов. Свободная одежда, бижутерия или длинные волосы могут быть зацеплены движущимися частями.
- з) Если оборудование приспособлено для присоединения внешнего пылеотвода (пылеулавливающего устройства) и поглотителя пыли, необходимо убедиться, что они присоединены и правильно применяются. Применение поглотителей пыли может уменьшить опасность, связанную с пылью.



ПРЕДУПРЕЖДЕНИЕ! Общие предупреждения, касающиеся безопасности при эксплуатации инструмента.

Эксплуатация и уход за электроинструментом:

- а) Не допускать перегрузки электроинструмента. Применять электроинструмент с мощностью, соответствующей выполняемой работе. Надлежащий электроинструмент позволит лучше и безопаснее работать при нагрузке, на которую он рассчитан.
- б) Не следует применять электроинструмент, если его выключатель не включается и не выключается. Каждый электроинструмент, который не может включаться или выключаться выключателем, представляет опасность и должен быть передан на ремонт.
- в) Необходимо отсоединить штепсельную вилку от источника питания электроинструмента и/или отсоединить аккумулятор прежде чем выполнить какую-либо установку, замену части или складирование устройства. Такие предупредительные меры безопасности

снижают риск случайного запуска электроинструмента в работу.

- г) Неиспользуемый электроинструмент следует хранить в недоступном для детей месте и не разрешать тем, кто незнаком с электроинструментом или настоящей инструкцией, пользоваться электроинструментом. Электроинструмент опасен в руках необученных пользователей.
- д) Следует выполнять технический уход за электроинструментом. Необходимо проверить соосность или отсутствие заедания (защемления) подвижных элементов, трещин частей, а также все другие факторы, могущие влиять на работу электроинструмента. В случае обнаружения неисправности, необходимо выполнить ремонт электроинструмента. Причиной многих несчастных случаев является непрофессиональный способ выполнения технического ухода.
- е) Режущий инструмент должен быть острым и чистым. Соответствующее содержание и уход за острыми кромокми режущего инструмента снижает вероятность заземления и упрощает обслуживание.
- ж) Электроинструмент, оснащение, рабочие инструменты и т. п. необходимо применять в соответствии с настоящей инструкцией, учитывая рабочие условия и вид выполняемой работы. Применение электроинструмента не по назначению может привести к опасным ситуациям.
- з) При низкой температуре или после длительного перерыва в эксплуатации рекомендуется включение электроинструмента без нагрузки на несколько минут с целью распределения смазки в механизме привода.
- и) Для чистки электроинструмента применять мягкую, влажную (не мокрую) тряпку и мыло. Не применять бензина, растворителей и других средств, могущих повредить устройство.

- й) Электроинструмент следует хранить/транспортировать, убедившись, что все его подвижные элементы заблокированы и защищены от разблокировки при помощи оригинальных элементов, предназначенных для этой цели.
- к) Электроинструмент должен храниться в сухом месте и быть защищенным от пыли и проникания влаги.
- л) Транспортировку электроинструмента необходимо выполнять в оригинальной упаковке, защищающей от механических повреждений.



ПРЕДУПРЕЖДЕНИЕ! Общие предупреждения, касающиеся безопасности при эксплуатации инструмента.

Ремонт:

- а) Ремонт электроинструмента необходимо поручать исключительно квалифицированному лицу, использующему только оригинальные запасные части. Это гарантирует безопасность дальнейшей эксплуатации электроинструмента.



ПРЕДУПРЕЖДЕНИЕ! ТЕРМОВОЗДУХОДУВКА, дополнительные предупреждения по технике безопасности –

Техника безопасности на рабочем месте:

- а) Необходимо работать на хорошо вентилируемом рабочем месте. Образующиеся во время работы газы и испарения обычно вредны для здоровья.
- б) Запрещено эксплуатировать термовоздуходувку, именуемую в дальнейшем «воздуходувка», вблизи мест складирования горючих материалов или взрывоопасных газов.
При сильном нагреве этим устройством (в результате небрежного обращения) возникает повышенная опасность пожара или взрыва! Следует иметь в виду, что тепло может передаваться к горючим материалам, находящимся вне поля зрения.
- в) Запрещено направлять сопло с выходящей горячей струёй воздуха в сторону других лиц, животных и в сторону, где находятся горючие вещества.

Электробезопасность:

- а) Не эксплуатировать устройство во время дождя и в условиях повышенной влажности. Это может привести к травме или представлять угрозу для жизни в результате поражения электрическим током.
- б) При эксплуатации воздуходувки на свежем воздухе, необходимо использовать защитное устройство по дифференциальному (разностному) току (RCD). Применение защитного устройства по дифференциальному току (RCD) снижает опасность поражения электрическим током.
- в) Перед каждым включением необходимо проверить устройство, кабель электропитания и штепсельную вилку. В случае выявления неисправности устройства, следует прекратить работу и передать его на ремонт в уполномоченный производителем сервисный пункт (адрес указан на гарантийной карте). Дальнейшая работа с повреждённой воздуходувкой представляет опасность для здоровья или жизни. Ни в коем случае не открывать устройства самостоятельно.
- г) Не втыкать каких-либо предметов в сопло. Это может привести к повреждению устройства и поражению электрическим током.
- д) Необходимо, чтобы кабель электропитания всегда находился сзади устройства.
- е) Запрещено направлять струю горячего воздуха на кабель электропитания и прикасаться разогретым соплом к кабелю электропитания. Это несёт опасность расплавления изоляции и поражения электрическим током.
- ж) Не переносить устройство, удерживая его за кабель электропитания и не вешать на нём.
- з) Запрещено эксплуатировать электроинструмент с повреждённым кабелем электропитания. Не прикасаться к повреждённому кабелю электропитания. В случае повреждения кабеля электропитания во время

работы, необходимо извлечь штепсельную вилку из розетки. Повреждённые провода увеличивают опасность поражения электрическим током.



ПРЕДУПРЕЖДЕНИЕ!

Если неотсоединяемый кабель электропитания будет повреждён, его замена должна производиться на предприятии-изготовителе или специализированном ремонтном предприятии, или же квалифицированным лицом. Это позволит избежать опасности.

Личная безопасность:

- а) В процессе обработки пластмасс, лакокрасочных покрытий и подобных материалов могут образовываться легковоспламеняющиеся и ядовитые газы. Не применять электроинструмент вблизи легковоспламеняющихся газов или материалов.
- б) Для защиты от испарений следует применять специальный респиратор, защищающий от пыли и испарений свинцовых красок и позаботится также о безопасности других лиц, находящихся на месте выполнения работы.
- в) Опасность ожога! Ни в коем случае не прикасаться к горячему соплу. Обязательно применять защитные рукавицы.
- г) Запрещено заглядывать в сопло при включенном устройстве.
- д) Во время работы обязательно применять защитные очки.
- е) Не применять устройство в качестве сушилки для волос! Температура воздуха, выходящего из устройства значительно превышает температуру воздуха, выходящего из сушилки.

Эксплуатация и уход за электроинструментом:

- а) Предохранять воздуходувку от ударов или повреждений поверхности острыми предметами.
- б) Во время эксплуатации воздуходувка должна постоянно находиться под надзором. Запрещено оставлять включённую воздуходувку без присмотра.
- в) Прежде, чем приступить к эксплуатации воздуходувки, следует проверить впуск и выпуск воздуха и устранить возможные элементы, мешающие свободному протеканию воздуха.
- г) Не допускать, чтобы сопло длительное время было направлено в одно и то же место.
- д) Не сжигать краску, так как это может стать причиной пожара. Следует следить, чтобы краска не приклеилась к соплу, поскольку она через какое-то время может воспламениться.
- е) Не закрывать щелей впуска (забора) воздуха или выпускного отверстия сопла, так как это может привести к чрезмерному увеличению температуры и повреждению устройства. Не приближать выпускного отверстия сопла к обрабатываемому предмету ближе, чем на 5 см.

ж) Во время работы и после её окончания не опирать выпускное отверстие сопла на какой-либо предмет. **Запрещено класть воздуходувку на бок.** При откладывании воздуходувки, обязательно следует размещать её в вертикальном положении, на её проволочной подставке (3).

з) Во время всех перерывов в работе, не используя устройство и прежде чем приступить к каким-либо действиям с устройством (напр. осмотру, чистке, регулировке), следует извлечь штепсельную вилку из розетки.

и) После окончания работы с воздуходувкой, необходимо оставить её соплом вверх, пока не остынет, только после этого можно её спрятать. Категорически запрещено прикасаться к выпускному металлическому соплу сразу же после выключения воздуходувки, это чревато ожогами.

й) Ни в коем случае не позволять детям пользоваться устройством.

КОНСТРУКЦИЯ И НАЗНАЧЕНИЕ ВОЗДУХОДУВКИ:

Воздуходувка является ручным электроинструментом. Она отличается малыми размерами, эргономичной формой, низким уровнем шума, большой скоростью выхода воздуха и двухступенчатой регулировкой рабочей температуры.

Устройство предназначено для устранения лакокрасочных покрытий, формирования и сваривания пластмассовых изделий и для термоусадки термоусаживаемых трубок. Устройство может также использоваться для размягчения клея и размораживания водопроводных труб.

Запрещено применять электроинструмент для работ, требующих применения профессионального оборудования. Каждое применение воздуходувки, несоответствующее указанному выше назначению, запрещено и ведёт к потере гарантии, а производитель не отвечает за возникший в результате этого ущерб.

Какие-либо модификации устройства, выполненные пользователем, освобождают производителя от ответственности за повреждения и ущерб, причинённый пользователю и окружающей среде.

■ Состав комплекта:

- Воздуходувка - 1 шт.
- Инструкция по обслуживанию - 1 шт.
- Гарантийная карта - 1 шт.

■ Элементы устройства (см. рис. А):

Нумерация элементов устройства относится к изображению, имеющемуся на странице 2 инструкции по обслуживанию:

1. Выпускное сопло
2. Защитный кожух сопла
3. Проволочная подставка
4. Кабель электропитания
5. Выключатель / Переключатель режима работы

ТЕХНИЧЕСКИЕ ПАРАМЕТРЫ:

Напряжение питания	230 В
Частота напряжения питания	50 Гц
Потребляемая мощность (1/2)	1000 Вт / 2000 Вт
Рабочая температура (1/2)	450°C / 600°C
Скорость потока воздуха (1/2), ок.	350 л/мин / 500 л/мин
Класс электрической защиты	II
Степень защиты	IP20
Вес	1,0 кг

■ Данные относительно уровня шума

Измеренные значения определены согласно стандарту EN 50 144. Измеренный уровень звукового давления не превышает 70 дБ(А).

ПРЕЖДЕ ЧЕМ ПРИСТУПИТЬ К РАБОТЕ:

1. Следует убедиться, что параметры источника питания, к которому будет подключена воздуходувка, соответствуют параметрам, указанным на щитке воздуходувки.

2. Главный выключатель (5) трёхпозиционный (0 - выкл., 1 - 450°C, 2 - 600°C).

Убедиться, что главный выключатель находится в положении «выключено». При вкладывании штепсельной вилки в розетку, если главный выключатель находится в положении «включено», может произойти несчастный случай, поскольку воздуходувка немедленно начинает работать.

3. В случае работы в месте, удалённом от сетевой розетки, необходимо использовать удлинитель шнура электропитания, сечение проводов которого соответствует величине потребляемого тока. Рекомендуется применять максимально короткие удлинители электропитания. Удлинитель должен быть полностью размотан.

ВО ВРЕМЯ РАБОТЫ:

■ Включение / выключение

- Для включения нажать и переместить выключатель / переключатель режима работы (5) в положение 1 или 2.
- Для выключения нажать и переместить до упора выключатель / переключатель режима работы (5) в положение 0.

■ Регулировка температуры и скорости потока воздуха

Выключатель / переключатель режима работы (5) имеет два рабочих положения.

Соответствующую скорость потока воздуха и температуру можно установить в соответствии с таблицей:

Режим работы 1	350 л/мин - 450°C
Режим работы 2	500 л/мин - 600°C

ВНИМАНИЕ: После переключения с высокой температуры на низкую необходимо определённое время для охлаждения воздуходувки.

Снижение скорости потока воздуха рекомендуется в случае:

- ограниченной возможности нагрева окружающих элементов

обрабатываемого материала;

- опасности, что обрабатываемый предмет может быть перемещён струёй воздуха.

Расстояние от сопла до обрабатываемого предмета устанавливается в зависимости от обрабатываемого материала.

Оптимальную температуру для конкретного случая необходимо определить методом пробы. Поэтому следует начать от низкого уровня температуры.

■ Тепловая защита

В случае чрезмерного нагрева нагревательного элемента (напр. в связи с ограничением потока воздуха) устройство тепловой защиты автоматически его выключит, однако воздуходувка продолжает работать. В момент, когда устройство остынет до рабочей температуры, нагревательный элемент включится повторно.

УКАЗАНИЕ ПО РАБОТЕ С УСТРОЙСТВОМ:

ВНИМАНИЕ! Во время работы следует избегать перемещения воздуходувки перпендикулярно до обрабатываемой поверхности. Это ведёт к отражению горячего воздуха от поверхности и повторного всасывания его через ротор электродвигателя. Это ведёт к увеличению температуры внутри электродвигателя, что ведёт к повреждению воздуходувки. Воздуходувку необходимо перемещать под углом примерно 45° относительно обрабатываемой поверхности.

Прежде чем выключить воздуходувку необходимо на десять - двадцать секунд переключить устройство на режим работы с низкой температурой с целью охлаждения нагревательного элемента. Это повышает срок службы электроинструмента.

■ Снятие защитного кожуха выпускного сопла

При работе в особенно узких местах защитный кожух выпускного сопла (2) может быть снят.

ВНИМАНИЕ: При работе со снятым защитным кожухом выпускного сопла имеется повышенная опасность ожогов. Необходимо соблюдать осторожность!

При снятии и вставлянии защитного кожуха выпускного сопла устройство должно быть выключено и быть остывшим.

Защитный кожух выпускного сопла (2) повернуть до упора против часовой стрелки и снять или вложить и повернуть до упора по часовой стрелке.

■ Откладывание устройства

С целью охлаждения разогретого устройства или в случае, когда обе

руки должны быть свободны для работы, необходимо установить воздуходувку вертикально на её проволочной подставке (3) на горизонтальной поверхности (см. рис. В).

ВНИМАНИЕ: Необходимо соблюдать особую осторожность при работе с отложенным устройством! Существует опасность ожога об горячее сопло или струёй горячего воздуха.

ОБСЛУЖИВАНИЕ И ТЕХНИЧЕСКИЙ УХОД:

1. Воздуходувку необходимо содержать в чистоте, обеспечивая свободное протекание воздуха.
2. Защищать воздуходувку от контакта с водой и проникания пыли и других мелких элементов вовнутрь электроинструмента.
3. Пластмассовый корпус воздуходувки нельзя чистить при помощи химических чистящих средств. Применять слегка влажную тряпку и мыло. Воздуходувку можно эксплуатировать только после полного высыхания корпуса в натуральных условиях.
4. Регулярно проверять техническое состояние провода питания и в случае обнаружения повреждения, провод следует немедленно заменить.
5. В случае возникновения технических проблем, следует связаться с сервисной службой.

ПРОИЗВОДИТЕЛЬ:

ООО «ПРОФИКС»,

ул. Марьевильска 34, 03-228 Варшава, ПОЛЬША

ЗАЩИТА ОКРУЖАЮЩЕЙ СРЕДЫ:



ВНИМАНИЕ: Представленный символ означает запрещение размещения использованного оборудования вместе с другими отходами (за это грозит наказание в виде штрафа). Опасные компоненты, имеющиеся в электрическом и электронном оборудовании отрицательно влияют на окружающую среду и здоровье человека.

Домашнее хозяйство должно способствовать восстановлению и повторному использованию (рециклированию) использованного оборудования. В Польше и в Европе создаётся или уже существует система сбора использованного оборудования, в рамках которой все пункты продажи в/у оборудования обязаны принимать использованное оборудование. Кроме того, имеются пункты приёма в/у оборудования.



Политика компании PROFIX - это политика постоянного совершенствования своих изделий, поэтому компания сохраняет за собой право изменения спецификации изделия без предварительного уведомления. Изображения, имеющиеся в инструкции, являются примерными и могут незначительно отличаться от фактического вида приобретенного электроинструмента.

Настоящая инструкция по эксплуатации защищена авторскими правами. Запрещено её копирование и размножение без согласия ООО «ПРОФИКС».



ÎNAINTE DE UTILIZARE, CITIȚI ACESTE INSTRUCȚIUNI.

Păstrează instrucțiunile pentru o folosire viitoare.

ATENȚIE! Citește toate avertismentele referitoare la protecția muncii marcate cu simboluri ⚠ și toate indicațiile referitoare la utilizarea în siguranță.



Nerespectarea avertismentelor de mai jos, poate duce la accidente și la electrocutare, incendii și/sau la vătămări corporale.

Păstrează toate avertismentele și indicațiile referitoare la protecția muncii, pentru a le folosi în viitor.

În avertismentele de mai jos, termenul "unealtă electrică" înseamnă *unealtă care este alimentată de la rețea (cu cablu de alimentare) sau unealtă electrică alimentată din baterie (fără cablu).*



ATENȚIE! Reguli generale de protecție a muncii.

Siguranța la locul de muncă:

- La locul de muncă păstrează curățenia și bună iluminare.** Zonele și bancurile de lucru aglomerate cheamă accidentele.
- Nu utilizezi unealta electrică în atmosfere explozive, formate din lichide inflamabile, gaze sau lichide.** Unelata electrică produce scântei, care pot aprinde praful sau aburul.
- Țineți copiii departe de locurile în care unealta electrică este folosită.** Distragerea atenției poate duce la pierderea atenției asupra unelei electrice.



ATENȚIE! Reguli generale cu privire la utilizarea în siguranță a unelei.

Siguranța electrică:

- Ștecherul unelei electrice trebuie să fie conforme cu priza.** Este interzisă modificarea ștecherului. Este interzisă utilizarea prelungitoarelor în cazul uneltelor electrice cu cablu de legare la pământ de protecție. Nemođificarea ștecherelor și a prizelor micșorează riscul de electrocutare.
- Evitați să atingeți suprafața de împământenire sau conectările la masă, cum ar fi conducte, radiatoare, radiatoare de încălzire centrală și frigider.** În cazul atingerii părților împământenite, crește riscul de electrocutare.
- Nu expuneți sculele electrice în condiții de ploaie sau mediu umed.** În caz de infiltrație cu apă, crește riscul de electrocutare.
- Nu abuzați de cablurile de conectare.** Nu folosiți cablul de alimentare la mutarea, tragerea unelei sau tragerea ștecherului din priză. Păstrați cablul de alimentare departe de surse de căldură, ulei, muchii ascuțite sau părți în mișcare. Cablurile deteriorate sau încurcate cresc riscul de electrocutare.
- În cazul în care unealta electrică este folosită în aer liber, conectarea trebuie efectuată cu ajutorul prelungitoarelor destinate funcționării în aer liber.** Folosirea prelungitorului destinat funcționării în aer liber, micșorează riscul de electrocutare.
- În cazul în care unealta electrică este folosită în mediu umed, este inevitabilă, utilizarea unui dispozitiv de protecție împotriva tensiunii de alimentare, cum ar fi aplicarea unui dispozitiv de curent rezidual (RCD).** Folosirea RCD micșorează riscul de electrocutare.



ATENȚIE! Avertismentele generale cu privire la siguranța folosirii unelei.

Siguranță personală:

- Acest echipament nu este destinat utilizării de către persoane (inclusiv copii) cu abilități fizice reduse, senzoriale sau mentale, sau de persoane care nu au experiență sau nu cunosc echipamentul, cu excepția cazului în care are loc sub supraveghere sau în conformitate cu instrucția de folosire a echipamentului, de către o persoană responsabilă pentru siguranța lor.**
- Trebuie să fii atent, să aveți grijă ce faceți și să păstrați bun simț în timpul folosirii unelei electrice.** Nu folosiți unealta electrică, când sunteți obosiți sau sub influența drogurilor, alcoolului sau a medicamentelor. *Un moment de neatenție în timpul lucrului cu unelata electrică poate cauza vătămări personale grave.*
- Folosiți echipament de protecție.** Purtați întotdeauna ochelari de protecție. Folosind echipamentul de protecție cum ar fi masca de praf, pantofi cu anti-alunecare, căști sau protecție auditivă, micșorai riscul de vătămare.
- Evitați pornirea accidentală.** Înainte de conectarea la sursa de alimentare și/sau înainte de conectarea bateriei și înainte de ridicarea sau mutarea unelei asigurativă că comutatorul unelei electrice este în poziția oprită. Mutarea unelei electrice cu degetul pe comutator sau conectarea unelei electrice la rețeaua de alimentare în poziția pornită poate provoca un accident.
- Înainte de pornirea unelei electrice îndepărtați toate uneltele din apropiere.** Lăsarea de unelte pe părțile de mișcare ale unelei electrice poate duce la vătămări corporale.
- Nu vă aplecați prea mult.** Trebuie să stați siguri și să mențineți echilibrul. Acest lucru va permite un control mai bun asupra unelei electrice în situații neașteptate.
- Îmbrăcați-vă corespunzător.** Nu purtați haine largi sau bijuterii. Țineți părul strâns, hainele și mânușile departe de părțile în mișcare. Hainele largi, bijuteria sau părul lung se pot agăța de părțile în mișcare.
- Dacă echipamentul este potrivit pentru conectarea extractorului de praf extern și a colectorului de praf, asigurați-vă că acestea sunt conectate și folosite corect.** Folosirea colectorului de praf poate reduce riscul de pericole legate de prăfuit.



ATENȚIE! Avertismentele generale cu privire la folosirea în siguranță a unelei.

Utilizarea și îngrijirea unelei electrice:

- Nu supraincărcați unealta electrică.** Utilizați o unealtă electrică în funcție de puterea necesară muncii efectuate. *Unealta electrică corectă va permite o funcționare mai bună și este sigură în cazul însărcinării, pentru care a fost proiectată.*
- Este interzisă utilizarea unelei electrice dacă comutatorul nu pornește și nu oprește unealta.** Fiecare unealtă electrică care nu pornește sau nu se oprește este periculoasă și trebuie reparată.

- c) **Deconectați ștecherul de la sursa de alimentare a unei electrice și/sau deconectați bateria înainte de orice setare, schimbare de părți sau depozitare.** *Aceste mijloace de protecție reduc riscul unei porniri accidentale a unelei electrice.*
- d) **Unealta electrică nefolosită trebuie depozitată departe de copii și nu trebuie împrumutată persoanelor care nu cunosc unealta electrică sau care nu au citit această instrucție de folosire a unelei electrice.** *Unealta electrică este periculoasă când este folosită de o persoană fără experiență.*
- e) **Unealta electrică trebuie bine întreținută. Trebuie controlată alinierea sau bruierea pieselor în mișcare, ruperea pieselor și alți factori care pot avea influență la funcționarea unelei electrice.** *Dacă găsim o deteriorare, unealta electrică înaintea folosirii trebuie reparată.* *Cauza multor accidente este întreținerea necorespunzătoare a unelei electrice.*
- f) **Uneltele de tăiere trebuie să fie ascuțite și curate.** *Întreținerea părților ascuțite ale uneltelor de tăiere reduce riscul de blocare în material și ușurează folosirea.*
- g) **Unealta electrică, echipamentul, uneltele de lucru, etc. trebuie folosite în conformitate cu această instrucție, ținând cont de tipul și condițiile de lucru.** *Utilizarea unelei electrice în alt mod decât este destinația, poate duce la situații periculoase.*
- h) **La temperaturi scăzute, sau după o perioadă îndelungată de nefolosire, este recomandată pornirea unelei electrice fără sarcină pentru câteva minute pentru a distribui corect unsoarea în mecanismul de transmisie.**
- i) **Pentru curățirea unelei electrice folosiți o cârpă moale, umedă (nu udă) și săpun. Nu folosiți benzină, diluanți sau alte mijloace care pot deteriora echipamentul.**
- j) **Unealta electrică trebuie depozitată/transportată numai după ce ne-am asigurat că toate elementele în mișcare sunt blocate și asigurate cu ajutorul elementelor originale destinate blocării.**
- k) **Unealta electrică trebuie păstrată într-un loc uscat, asigurat împotriva prafului și a umezelii.**
- l) **Transportul unelei electrice trebuie să aibă loc în ambalajul original, asigurat împotriva deteriorărilor mecanice.**



ATENȚIE! Avertismente generale cu privire la folosirea în siguranță a unelei.

Repararea:

- a) **Repararea unelei electrice trebuie efectuată de persoane calificate, care folosesc doar piese de schimb originale.** *Acest lucru asigură că folosirea unelei electrice va fi în siguranță.*



AVERTISMENT! PISTOLUL CU AER CALD, avertisment suplimentare referitoare la siguranță –

Siguranța la locul de muncă:

- a) **Lucrați în loc de muncă bine ventilat.** *Gazele și vaporii care apar în timpul funcționării sunt dăunători sănătății.*
- b) **Este interzisă folosirea pistolului de aer cald, denumit în continuare «pistol», în apropierea locului de depozitate a materialelor inflamabile sau a gazelor explozibile.** *Încălzirea exagerată (de ex. în urma utilizării incorecte) a pistolului crește riscul de incendiu sau explozie! Trebuie să fiți conștienți, că*

aerul fierbinte poate să ajungă la materiale inflamabile care nu se află la vedere.

- c) **Este interzisă îndreptarea vârfului, cu flux de aer fierbinte, înspre alte persoane, animale sau unde se află depozitate materiale inflamabile.**

Siguranță electrică:

- a) **Nu folosiți unealta în timpul ploii sau în condiții de umiditate ridicată.** *Poate fi cauză de rănire sau vătămare corporală prin electrocutare.*
- b) **În cazul utilizării pistolului în aer liber, folosiți întotdeauna instalație de diferențiere (RCD).** *Folosirea RCD micșorează riscul de electrocutare.*
- c) **Înainte de fiecare pornire, controlați pistolul, cablul de alimentare și ștecherul.** *În cazul deteriorării, întrerupeți lucrul și trimiteți unelata la reparare într-un service autorizat (adresa este înscrisă în fișa de garanție).* *Continuarea lucrului cu pistolul deteriorat este un pericol pentru sănătate și viață. Niciodată nu deschideți unelata.*
- d) **Nu introduceți elemente în vârf.** *Poate duce la distrugerea unelei și electrocutare.*
- e) **Cablul de alimentare întotdeauna trebuie să fie în spatele unelei.**
- f) **Este interzisă îndreptarea fluxului de aer cald spre cablul de alimentare sau atingerea cablului de alimentare cu vârful firbinte.** *Este pericol de topire a izolării și electrocutare.*
- g) **Este interzisă tragerea sau agățarea de cablul de alimentare.**
- h) **Este interzisă utilizarea unelei electrice cu cablul de alimentare deteriorat.** *Este interzisă atingerea cablului deteriorat; în cazul deteriorării în timpul utilizării, scoateți ștecherul din priză.* *Cablurile deteriorate cresc riscul de electrocutare.*



AVERTISMENT!

Dacă cablul de alimentare este deteriorat, trebuie înlocuit cu unul nou la producător sau într-un service autorizat, sau de către o persoană calificată pentru a evita pericolul.

Siguranță personală:

- a) **În timpul prelucrării de materiale plastice, vopsele, lac și alte materiale asemănătoare pot apărea gaze inflamabile și otrăvitoare.** *Unealta nu poate fi folosită în apropierea gazelor sau a materialelor inflamabile.*
- b) **Pentru protecția împotriva aburilor, purtați o mască specială, de protecție împotriva prafului și a aburilor din vopselele cu plumb, și aveți grijă de siguranța celorlalte persoane aflate în locul de muncă.**
- c) **Pericol de arsură!** *Niciodată nu atingeți vârful firbinte.* *Folosiți întotdeauna mănuși de protecție.*
- d) **Când unelata este pornită, nu ingerați în vârf.**
- e) **În timpul muncii folosiți întotdeauna ochelari de protecție.**
- f) **Nu folosiți unelata ca un uscător de păr!** *Temperatura aerului din unelata este cu mult mai mare decât temperatura uscătorului de păr.*

Folosirea și grija de unealta electrică:

- a) **Protejați pistolul împotriva loviturilor sau deteriorărilor suprafeței de către obiecte ascuțite.**
- b) **În timpul utilizării pistolul trebuie să fie supravegheat continuu. Nu lăsați pistolul pornit nesupravegheat.**
- c) **Înainte de începerea folosirii pistolului, controlați dacă orificiile de intrare și ieșire ale aerului și eliminați eventualele elemente care pot bloca trecerea liberă a aerului.**
- d) **Evitați îndreptarea unelei timp îndelungat în același loc.**
- e) **Nu ardeți vopseaua, este pericol de incendiu. Aveți grijă, ca vopseaua să nu se lipească de vârful pistolului, deoarece după un timp se poate aprinde.**
- f) **Nu acoperiți orificiile de intrare și ieșire a aerului, deoarece poate duce la creșterea temperaturii și deteriorarea pistolului. Orificiul de ieșire nu poate fi apropiat de materialul prelucrat mai aproape de 5 cm.**
- g) **În timpul utilizării și imediat după terminarea lucrului, nu sprijiniți vârful de obiectele din împrejur. Este interzisă lăsarea pistolului pe partea laterală. Dacă lăsăm pistolul, trebuie întotdeauna să fie sprijinit în poziție verticală pe baza de sârmă (3).**
- h) **În timpul pauzelor în lucru, în timpul nefolosirii și înainte de orice operații lângă sau cu pistolul (de ex. revizii, curățarea, reglarea) scoateți ștecherul din priză.**
- i) **După terminarea lucrului cu pistolul, trebuie lăsat până vârful acestuia se răcește, și deabia atunci trebuie împachetat. Nu atingeți niciodată vârful metalic imediat după oprirea pistolului, poate duce la arsuri grave.**
- j) **Nu permiteți folosirea pistolului de către copii.**

CONSTRUCȚIA ȘI DESTINAREA PISTOLULUI:

Pistolul este o unealtă electrică manuală. Se caracterizează prin dimensiunile mici, forma ergonomică, nivel scăzut de zgomot, viteză mare a fluxului de aer, reglare bimodală a temperaturii de funcționare.

Unelata este destinată îndepărtării de straturi de vopsea, formarea și sudarea de materiale sintetice precum și strângerea „cămășilor” cu contractare termică. Unealta poate fi folosită deasemenea și la înmoierea cleiului sau dezghețarea cablurilor de canalizare.

Este interzisă folosirea unelei pentru efectuarea de lucrări care necesită folosirea de echipamente profesionale. Fiecare utilizare a pistolului nu în conformitate cu destinația indicată mai sus, este interzisă și poate duce la pierderea perioadei de garanție precum și lipsa de responsabilitate a producătorului pentru prejudiciul rezultata.

Orice modificări făcute de către utilizator, eliberează producătorul de răspunderea pentru daunele și prejudiciile rezultate utilizatorului sau mediului înconjurător.

Elemente

- Pistol de aer cald - 1 buc.
- Instrucția de folosire - 1 buc.
- Fișa de garanție - 1 buc.

Elementele unelei (vezi fig. A):

Numerotarea elementelor se referă la prezentarea grafică de pe pagina 2 a instrucției de folosire:

1. Duza de ieșire
2. Scutul duzei
3. Baza de sârmă
4. Cablul de alimentare
5. Întrerupător / Comutator tip de lucru

SPECIFICAȚII TEHNICE:

Tensiunea de alimentare	230 V
Frecvența de alimentare	50 Hz
Puterea absorbită (1/2)	1000 W / 2000W
Temperatura de lucru (1/2)	450°C / 600°C
Debit de aer (1/2), aprox.	350 l/min / 500 l/min
Clasa unelei	II
Nivelul de protecție	IP20
Greutate	1,0 kg

Informație cu referire la zgomot

Valorile de măsură determinate în conformitate cu EN 50 144.

Nivelul de presiune acustică măsurată este mai mică decât 70 dB(A).

ÎNAINTE DE ÎNCEPEREA LUCRULUI:

1. Asigurați-vă că sursa de alimentare, la care este pistolul conectat, corespunde parametrilor indicați pe tabelul nominat al pistolului.
2. Întrerupătorul central (5) cu trei poziții (0-oprit, 1-450°C, 2-600°C). Asigurați-vă, că întrerupătorul central este în poziția oprită. În cazul introducerii ștecherului în priză, în situația în care întrerupătorul este în poziția pornit, poate duce la un accident grav, deoarece pistolul imediat începe funcționarea.
3. În cazul în care locul de lucru este îndepărtat de priză, trebuie utilizat prelungitorul, cu o secțiune corespunzătoare a cablului, corespunzător în funcție de mărimea curentului de trecere. Se recomandă folosirea de prelungitoare cât mai scurte. Prelungitorul trebuie să fie în totalitate întins.

ÎN TIMPUL LUCRULUI:

Pornire/oprire

- Pentru a porni, apăsați întrerupătorul (5) pe poziția 1 sau 2.
- Pentru a opri, apăsați întrerupătorul (5) până la capăt pe poziția 0.

Reglarea temperaturii și a fluxului de aer

Întrerupătorul (5) poate fi setat în două poziții de lucru.

Fluxului de aer și temperatura pot fi stabilite în funcție de tabelul:

Modul 1	350 l/min - 450°C
Modul 2	500 l/min - 600°C

ATENȚIE: La schimbarea temperaturii de la înaltă la scăzută, este necesar un timp pentru răcirea pistolului.

■ Mișorarea fluxului de aer este recomandată în timpul:

- posibilității limitate de încălzire a mediului materialului prelucrat;
- pericolului, când materialul prelucrat poate fi mutat de către fluxul de aer.

Distanța între vârful duzei și materialul prelucrat este setată în funcție de materialul prelucrat.

În fiecare caz, temperatura necesară trebuie setată în urma unei probe. De aceea trebuie să începem cu o temperatură scăzută.

■ Asigurare termică

În cazul în care încălzitorul este supraîncălzit (de exemplu flux de aer limitat) protecția termică oprește automat încălzitorul, însă ventilatorul funcționează în continuare. În momentul în care pistolul s-a răcit la temperatura de lucru corespunzătoare, încălzitorul pornește din nou.

INSTRUCIUNI DE OPERARE:

ATENȚIE! În timpul funcționării, evitați introducerea perpendiculară a pistolului în funcție de suprafața prelucrată. Acest lucru duce la reflecția aerului fierbinte de pe suprafața prelucrată și aspirarea de către rotorul motorului. Duce la creșterea temperaturii în interiorul motorului, lucru ce duce la deteriorarea pistolului. Pistolul trebuie îndreptat sub unghiul de 45° în funcție de suprafața prelucrată.

Înainte de oprirea pistolului, trebuie schimbat timp de câteva secunde modul de lucru la o temperatură mai scăzută pentru a răci elementul de încălzire. Crește durata de viață a unelei.

■ Demontarea scutului duzei

În cazul locurilor înguste, scutul duzei (2) poate fi demontat.

ATENȚIE: În timpul utilizării cu scutul demontat, există pericolul de arsuri. Aveți grijă mărită!

Pentru a monta sau demonta scutul duzei, unealta trebuie să fie oprită și răcită.

Scutul duzei (2) trebuie răsucit până la capăt în direcția opusă acelor de ceasornic și demontat, sau montat și răsucit până la capăt în direcția acelor de ceasornic.

■ Repausul unelei

Pentru a răci unealta încinsă sau pentru a avea ambele mâini libere, lăsați pistolul vertical pe baza de sârmă (3) pe o suprafață orizontală (vezi fig. B).

ATENȚIE: La lucrări lângă unealta în repaus, trebuie să fiți foarte atenți! Există pericolul de arsuri la contact cu vârful încins sau la curentul de aer fierbinte.

UTILIZAREA ȘI ÎNTREȚINEREA:

1. Pistolul trebuie întreținut curat, asigurând o trecere liberă a aerului.
2. Protejați pistolul împotriva contactului cu apa și infiltrarea de praf, mizerie sau a altor elemente mici în interiorul mașinii.
3. Carcasa de plastic a pistolului nu poate fi curățată cu ajutorul agenților chimici de curățare. Folosiți o cârpă ușor umedă și săpun. Pistolul poate fi utilizat doar după uscarea în întregime a carcasei în condiții naturale.
4. Regulați controlați starea tehnică a cablului de alimentare și în cazul deteriorării, înlocuiți cablul de alimentare cu unul nou.
5. În caz de probleme tehnice, vă rugăm să contactați punctul de service.

PRODUCĂTOR:

PROFIX Sp. z o.o., str. Marywilka 34, 03-228 Varșovia, POLONIA

PROTECȚIA MEDIULUI ÎNCONJURĂTOR:



ATENȚIE: Simbolul prezentat înseamnă interdicția de a amesteca aparatul uzat împreună cu alte deșeuri (sub amenințarea unei amenzi). Componentele periculoase aflate în aparatul electric și electronic influențează negativ mediul natural și sănătatea oamenilor.

Fiecare gospodărie casnică trebuie să contribuie la redobândirea și refolosirea (recycling) aparatului uzat. Atât în Polonia, cât și în Europa se organizează sau deja există sistemul de culegere a aparatului uzat, în cadrul căruia toate punctele de vânzare a respectivei aparaturi sunt obligate să preia aparatul uzat. În plus, există centrele de colectare a acestuia tip de aparat.




Politica firmei PROFIX este aceea de perfecționare continuă a produselor sale și de aceea firma își rezervă dreptul de modificare a specificației produsului fără înștiințarea anterioară. Imaginile indicate în instrucțiunile de utilizare sunt doar exemple și se pot diferi puțin de aspectul real al dispozitivului achiziționat.

Prezenta instrucțiune este protejată prin dreptul de autor. Copierea/înmulțirea fără acordul în scris al firmei PROFIX Sp. z o.o. este interzisă.

**PIRMS DARBA SĀKUMA NEPIECIEŠAMS IEPAZĪTIES AR ŠO INSTRUKCIJU.**

Saglabā instrukciju varbūtējai turpmākai lietošanai.



BRĪDINĀJUMS! Nepieciešams izlasīt visus brīdinājumus apzīmētus ar simboliem , kuri attiecas uz lietošanas drošību un visus lietošanas drošības norādījumus.

Neievērojot zemāk uzrādītos drošības brīdinājumus un norādījumus attiecībā uz drošību var būt par elektriskās strāvas triecienu, ugunsgrēku un/vai nopietnu traumu iemesls.

Ievērot visus brīdinājumus un norādījumus attiecībā uz drošību, lai tos turpmāk varētu izmantot.

Zemāk uzrādītos brīdinājumos „elektroinstruments” nozīmē elektroinstrumentu, kurš tiek barots no elektriskā tīkla (ar barošanas vadu) vai elektroinstruments barots no akumulatora (bezvadu).



BRĪDINĀJUMS! Vispārējie instrumenta drošas lietošanu norādījumi.

Darba vietas drošība:

- Darba vietā nepieciešams uzturēt kārtību un labu apgaismojumu. Nekārtība un slikts apgaismojums ir negadījumu iemesls.
- Nedrīkst lietot elektroinstrumentu sprāgstošā, viegli uzliesmojošā, gāzu un putekļainā vidē. Elektroinstrumenta darbības laikā rodas dzirksteles, no kurām var aizdegties putekļi un tvaiki.
- Vietā, kur tiek lietoti elektroinstrumenti nevar atrasties bērni un novērotāji. Novērsot uzmanību var zaudēt kontroli par elektroinstrumentu.



BRĪDINĀJUMS! Vispārējie instrumenta drošas lietošanu norādījumi.

Elektriskā drošība:

- Elektroinstrumenta kontakt Dakšīņām jābūt pielāgotām pie kontaktligzdām. Nekad nekādā gadījumā nedrīkst mainīt kontakt Dakšīņu. Nedrīkst lietot nekādus pagarinātājus gadījumā, ja elektroinstruments ir apgādāts ar vadu ar aizsardzības iezemējuma dzīslu. Ja netiek darītas kontakt Dakšīņu un kontaktligzdu izmaiņas, tas samazina elektriskā triecienu risku.
- Nepieciešams izvairīties no iezemētām virsmām vai savienotām ar masu, kā piemēram caurules, sildītāji, centrālāpkrures radiatoru un dzesinātāji. Gadījumā, ja notiek kontakts ar iezemētām vai ar masu savienotām daļām pieaug elektriskās strāvas triecienu risks.
- Nedrīkst pakļaut elektroinstrumentus uz lietus vai mitruma iedarbību. Gadījumā, ja elektroinstrumentā iekļūst ūdens pieaug elektriskās strāvas triecienu risks.
- Nedrīkst pārslogot savienojuma vadus. Nekad nedrīkst lietot savienojuma vadu elektroinstrumenta pārnēsāšanai, vilkšanai vai izvilkot kontakt Dakšīņu no kontaktligzdas aiz vada. Nepieciešams turēt savienojuma vadu tālu no siltuma avotiem, eļļainām, asām šķautnēm vai kustīgām daļām.

Bojāti vai sapīti savienojuma vadi palielina elektriskās strāvas triecienu risku.

- Gadījumā, ja elektroinstruments tiek lietots ārpusē, savienojuma vadus nepieciešams pagarināt ar pagarinātājiem, kuri ir piemēroti darbam ārpusē. Lietojot pagarinātājus piemērotus darbam ārpusē samazinās elektriskās strāvas triecienu risks.
- Gadījumā, ja ir nepieciešama lietot elektroinstrumentu mitrā vidē, par sprieguma aizsardzību nepieciešams lietot strāvas starpības ierīci (RCD). Lietojot RCD samazinās elektriskās strāvas triecienu risks.



BRĪDINĀJUMS! Vispārējie instrumenta drošas lietošanu norādījumi.

Individuālā drošība:

- Šī ierīce nav piemērota lietot cilvēkiem (tai skaitā bērniem) ar ierobežotām fiziskām, jūtības un psihiskām spējām, vai cilvēkiem bez ierīces darbības pieredzes vai zināšanām, izņemot, ja tas notiek uzraudzībā vai saskaņā ar ierīces lietošanas instrukciju, ar kuru ir iepazinušās par drošību atbildīgas personas.
- Elektroinstrumenta lietošanas laikā nepieciešams būt tālredzīgiem, novērot kas notiek un saglabāt skaidru saprātu. Nedrīkst lietot elektroinstrumentu noguruma laikā vai narkotisku vielu, alkohola vai zāļu iedarbībā. Neuzmanības mirklis strādājot ar elektroinstrumentu var radīt nopietnas ķermeņa traumas.
- Nepieciešams lietot individuālos aizsardzības līdzekļus. Vienmēr nepieciešams lietot aizsargbrilles. Lietojot attiecīgos apstākļos aizsardzības līdzekļus, tādas kā putekļu maskas, neslidošus apavus, ķiveres vai dzirdes aizsardzības līdzekļus, samazinās individuālās traumas.
- Nepieciešams izvairīties no neparedzētām kustībām. Pirms pieslēgšanas pie barošanas avota un/vai pirms akumulatora pieslēgšanas kā arī pirms tam, kad paceļam vai pārceļam ierīci nepieciešams pārliecināties, ka elektroinstrumenta slēdzis atrodas izslēgšanas stāvoklī. Pārnēsāt elektroinstrumentu ar pirkstu uz slēdža vai barošanas tīklā pieslēgtu elektroinstrumentu pie ieslēgta slēdža var būt par negadījuma iemesls.
- Pirms elektroinstrumenta palaišanas nepieciešams novākt visas atslēgas. Atslēga atstāta rotējošā elektroinstrumenta tuvumā var radīt individuālas traumas.
- Nedrīkst pārlieku tālu izlikties. Visu laiku nepieciešams stāvēt stabili un saglabāt līdzsvaru. Tas dos iespēju neparedzētās situācijās labāk kontrolēt elektroinstrumentu.
- Nepieciešams attiecīgi ģērbties. Nedrīkst nēsāt vaļīgas apģērbus vai rotas lietas. Nepieciešams turēt savus matus, apģērbu un cimdus tālu no kustīgām daļām. Vaļīgs apģērbs, rotas lietas vai gari mati var tikt aizķerti ar kustīgām daļām.
- Ja ierīce ir pielāgota ārējai putekļu sūkšanai un putekļu uzsūkšanai, nepieciešams pārliecināties, ka tie ir pieslēgti un pareizi lietoti. Lietojot putekļu sūcēju var samazināt putekļu

ieelpošanas bīstamību.



BRĪDINĀJUMS! Vispārējie instrumenta drošas lietošanu norādījumi.

Lietošana un gādība par elektroinstrumentu:

- Nedrīkst pārslotot elektroinstrumentu. Nepieciešams piemērot elektroinstrumentu veiktajam darbam. Pareizs elektroinstrumentu nodrošinās labāku un drošāku darbu pie slodzes, kādam tas tika projektēts.
- Nedrīkst lietot elektroinstrumentu, ja slēdzis to neieslēdz un neizslēdz. Katrs elektroinstrumentu nodrošinās labāku un drošāku darbu pie slodzes, kādam tas tika projektēts.
- Nepieciešams atvienot elektroinstrumenta kontaktdakšīņu no barošanas avota un/vai atslēgt akumulatoru pirms tiek veikta jebkāda uzstādīšana, detaļu maiņa vai instrumenta glabāšana. Tādas drošības darbības reducē neparedzētu elektroinstrumenta palaišanu.
- Nelietotu elektroinstrumentu nepieciešams glabāt bērniem nepieejamās vietās un nedrīkst atļaut personām, kuras nav iepazinušas ar elektroinstrumentu vai šo lietošanas instrukciju lietot elektroinstrumentu. Elektroinstrumenti ir bīstami neapmācītu lietotāju rokās.
- Elektroinstrumentu nepieciešams konservēt. Nepieciešams pārbaudīt asu sakrītību vai kustīgo daļu iekļīšanās, detaļu plīsumus un visus apstākļus, kuri varētu ietekmēt elektroinstrumenta darbu. Ja tiek konstatēts bojājums, elektroinstrumentu pirms lietošanas nepieciešams salabot. Daudzu negadījumu iemesls ir nepareiza elektroinstrumenta konservācija.
- Griezējinstrumentiem jābūt asiem un tīriem. Attiecīgi uzturēti asi griezējinstrumenta asmeņi samazina iekļīšanās iespējas un atvieglo apkalpošanu.
- Elektroinstrumentu, aprikojumu, darba instrumentus un tml. nepieciešams lietot saskaņā ar šo instrukciju, ņemot vērā darba apstākļus un veicamo darbu. Lietot elektroinstrumentu tam neparedzētā veidā var novest pie bīstamām situācijām.
- Zemās temperatūrās vai pēc ilgāka nelietošanas laika, ieteicams uz pāris minūtēm ieslēgt elektroinstrumentu bez slodzes, lai piedziņas mehānismā sāktu pareizi darboties smērējļa.
- Elektroinstrumentu tīrīšanai lietot mikstu, mitru (ne slapju) drānu un ziepes. Nelietot benzīnu, šķīdinātājus un citus līdzekļus, kuri varētu sabojāt ierīci.
- Elektroinstrumentu nepieciešams glabāt / transportēt iepriekš pārliecinoties, ka visas kustīgās daļas ir nobloķētas un nodrošinātas pret atbloķēšanos ar oriģināliem šim nolūkam paredzētiem elementiem.
- Elektroinstrumentu nepieciešams glabāt sausā, no putekļiem un mitruma sargātā vietā.
- Elektroinstrumenta transportēšanu jāveic oriģinālā iepakojumā, kurš pasargā no mehāniskiem bojājumiem.



BRĪDINĀJUMS! Vispārējie instrumenta drošas lietošanu norādījumi.

Remonts:

- Elektroinstrumenta remontu nepieciešams veikt tikai kvalificētam speciālistam, lietojot tikai oriģinālas rezerves daļas. Tas elektroinstrumenta lietotājam nodrošinās turpmāku drošību.



BRĪDINĀJUMS! KARSTĀ GAISA PLŪSMAS ĢENERATORS, papildus drošības brīdinājumi –

Darba vietas drošība:

- Nepieciešams strādāt labi ventilētā darba vietā. Gāzes un tvaiki, kuri rodas darba laikā bieži ir bīstami veselībai.
- Nedrīkst lietot karstā gaisa plūsmas ģeneratoru, turpmāk sauktu «fēns», viegli uzliesmojošu vai sprāgstošu gāzu glabāšanas vietu tuvumā.
Šīs ierīces stipra karsēšanas iedarbība (piem. nevīža lietošana) rada paaugstinātu ugunsgrēka un sprādziena bīstamību! Nepieciešams ņemt vērā, ka siltsams var tikt pārnesti uz ārpus redzesloka atrodošiem degošiem materiāliem.
- Nedrīkst virzīt sprauslu ar izplūstošu karstā gaisa plūsmu citu cilvēku, dzīvnieku un viegli uzliesmojošu materiālu virzienā.

Elektriskā drošība:

- Nelietot ierīci lietus laikā vai paaugstinātā mitruma apstākļos. Tas var būt par ievainojuma vai dzīvībai bīstama elektriskās strāvas trieciena iemeslu.
- Lietojot fēnu atklātā vietā nepieciešams lietot strāvas plūsmas starpības ierīci (RCD). Lietojot RCD samazināsies elektriskā trieciena risks.
- Pirms katras ieslēgšanas pārbaudīt ierīci, barošanas vadu un kontaktdakšīņu. Bojājumu ievērošanas gadījumā pārtraukt darbu un ierīci nogādāt pilnvarotā servisa punktā (adrese uzrādīta garantijas kartē). Turpināt darbu ar bojātu fēnu apdraud veselību un dzīvību. Nekad patstāvīgi neatvērt ierīci.
- Sprauslā neiespraut nekādus priekšmetus. Tas var radīt ierīces defektu un elektriskās strāvas triecienu.
- Barošanas vadu vienmēr turēt ierīces aizmugurē.
- Nedrīkst virzīt karstā gaisa plūsmu uz barošanas vadu ar sakarsētu sprauslu pieskarties pie barošanas vada. Tas draud ar izolācijas izkušanu un elektriskās strāvas triecienu.
- Nepārmēsāt un nekarināt ierīci aiz barošanas vada.
- Nedrīkst lietot elektroinstrumentu ar bojātu barošanas vadu. Nedrīkst pieskarties pie bojāta vada; gadījumā, ja barošanas vads tiek bojāts darba laikā, nepieciešams izvilkt kontaktdakšīņu no kontaktligzdas. Bojāti vadi palielina elektriskās strāvas trieciena risku.



BRĪDINĀJUMS!

Ja neatvienojamais barošanas vads tiek bojāts, to nepieciešams apmainīt pie ražotāja vai specializētā remonta darbnīcā, vai bīstamības novēršanai to veic kvalificēta persona.

Individuālā drošība:

- Plastmasas, krāsas, laku un tamlīdzīgu materiālu apstrādes laikā var rasties viegli uzliesmojošas un indīgas gāzes. Instrumentu nedrīkst lietot viegli uzliesmojošu gāzu un materiālu tuvumā.

- b) Tvaiku aizsardzībai lietot speciālu masku, kura sargā no putekļiem un svina krāsu tvaikiem, un parūpēties arī par citu darba vietas tuvumā esošo cilvēku drošību.
- c) Applaucesnās bistamība! Nekad nepieskarties pie karstas sprausla. Vienmēr lietot aizsarg cimdus.
- d) Kad ierīce ir ieslēgta nekad neskatīties sprauslā.
- e) Darba laikā vienmēr lietot aizsargbrilles.
- f) Nelietot ierīci matu žāvēšanai! Ierīces gaisa temperatūra ievērojami pārsniedz matu žāvēšanas fēna gaisa temperatūru.

Lietošana un gādība par elektroinstrumentu:

- a) Sargāt fēnu no sītieniem vai asu priekšmetu virsmas bojājumiem.
- b) Lietošanas laikā fēnam jāatrodas nepatruktā uzraudzībā. Nedrīkst atstāt ieslēgtu fēnu bez uzraudzības.
- c) Pirms fēna lietošanas sākuma vispirms nepieciešams pārbaudīt gaisa ieplūdi un izplūdi un likvidēt varbūtējus gaisa brīvas plūsmas elementus.
- d) Izvairīties virzīt ierīci ilgāku laiku vienā vietā.
- e) Nededzināt krāsu, tas var izraisīt ugunsgrēku. Uzmanīties, lai krāsa nepielīmētos pie sprauslas, par cik pēc kāda laika tā var aizdegties.
- f) Neapsegt gaisa ieplūdes atveres kā arī sprauslas izeju, par cik tas var radīt pārmērīgu temperatūras paaugstināšanos un ierīces defektu. Sprauslas atveri nav ieteicams tuvināt pie apstrādājamā priekšmeta tuvāk par 5 cm.
- g) Darba laikā un uzreiz pēc tā beigām neatbalstīt sprauslu pie jebkāda priekšmeta. Nedrīkst nolikt fēnu uz tā sāniem. Ja noliekam fēnu, to vienmēr novieto vertikālā stāvoklī uz stieples statīva (3).
- h) Visu darbu pārtraukšanas, ierīces nelietošanas laikā un pirms sākam jebkādas darbības ar ierīci (piem. apskate, tīrīšana, regulēšana) izvilkt kontaktdakšīņu no kontaktlīdždas.
- i) Pēc fēna darba beigām, vispirms nepieciešams to nolikt ar sprauslu uz augšu, lai tā atdziestu, tikai pēc tam to var noslēpt. Nekad nepieskarties pie metāla sprauslas uzreiz pēc fēna izslēgšanas, tas draud ar nopietnu applaucesanos.
- j) Bērniem nekad neatļaut apkalpot ierīci.

FĒNA UZBŪVE UN PIELIETOJUMS:

Fēns ir rokas elektroinstruments. To raksturo mazi izmēri, ergonomiska forma, zems trokšņa līmenis, liels izplūstošā gaisa ātrums, divpakāpju darba temperatūras regulēšana.

Ierīce ir paredzēta krāsas pārklājumu, noņemšanai, plastmasas formēšanai un limēšanai kā arī termiski sarauļojošu cauruļu uzvadu sildīšanai. Ierīci var lietot arī līmes mikstināšanai un ūdensvada cauruļu atsaldēšanai.

Nedrīkst lietot ierīci darbos, kur nepieciešama profesionāla iekārtu lietošana. Katra fēna lietošana neatbilstoši ar augstāk minēto pielietojumu ir aizliegta un noved līdz garantijas zaudēšanai kā arī ražotājs nepanes atbildību par šādā veidā radušajiem zaudējumiem.

Jebkāda ierīces modifikācija, kuru veic lietotājs atbrīvo ražotāju no atbildības par lietotāja un apkārtējās vides defektiem un zaudējumiem.

■ Komplektācija

- Fēns - 1 gab.
- Apkalpošanas instrukcija - 1 gab.
- Garantijas karte - 1 gab.

■ Ierīces elementi (skat. zīm.:A):

Ierīces elementu numerācija attiecas uz grafisko attēlu apkalpošanas instrukcijas 2.lapaspusē:

1. Sprausla
2. Sprauslas pārsegis
3. Stieples statīvs
4. Barošanas vads
5. Slēdzis / Darba režīma slēdzis

TEHNISKE DATI:

Barošanas spriegums	230 V
Barošanas frekvence	50 Hz
Jauda (1/2)	1000 W / 2000W
Darba temperatūra (1/2)	450°C / 600°C
Gaisa caurplūde (1/2), apm.	350 l/min / 500 l/min
Instrumenta klase	II
Aizsardzības pakāpe	IP20
Masa	1,0 kg

■ Trokšņa informācija

Mērījumu vērtības noteiktas saskaņā ar EN 50 144.

Ierīces izmērītais akustiskā spiediena līmenis ir zemāks par 70 dB(A).

PIRMS DARBA SĀKUMA:

1. Pārliicināties, ka barošanas avota parametri, pie kura tiks pieslēgts fēns, atbilst parametriem uzrādītiem uz fēna plāksnītes.
2. Galvenais trīs stāvokļu slēdzis (5) (0-izsl., 1-450°C, 2-600°C). Pārliicināties vai galvenais slēdzis atrodas izslēgšanas stāvoklī. Gadījumā, ja iespraužot kontaktdakšīņu kontaktlīdždā, galvenais slēdzis atrodas ieslēgšanas stāvoklī, var notikt nopietns negadījums, par cik uzreiz sākas fēna darbība.
3. Gadījumā, ja darba vieta ir attālināta no kontaktlīdždas, nepieciešams lietot pagarinātāju ar attiecīgu vadu šķērsgriezumu, piemērotu strāvai. Ieteicams lietot pēc iespējas īsus pagarinātājus. Pagarinātājam jābūt pilnībā attītam.

DARBA LAIKĀ:

■ Ieslēgšana/izslēgšana

- Lai pārslēgtu slēdzi / darba režīma slēdzi (5) nospieš stāvokli 1 vai 2.
- Lai izslēgtu slēdzi / darba režīma slēdzi (5) nospieš līdz galam stāvokli 0.

■ Temperatūras un gaisa plūsmas regulēšana

Slēdzi / darba režīma slēdzi (5) var uzstādīt divos darba stāvokļos.

Attiecīgu gaisa plūsmu un temperatūru var uzstādīt saskaņā ar tabulu:

Darba režīms 1	350 l/min - 450°C
Darba režīms 2	500 l/min - 600°C

UZMANĪBU: Pārslēdzot temperatūru no augstākas uz zemāku nepieciešams laiks fēna atdzišanai.

Gaismas plūsmas samazināšana ieteicama pie:

- ierobežotas iespējas sakarsēt apstrādājamā materiāla apkārtni;
- bīstamības, ka apstrādājamais priekšmets plūsmas rezultātā varētu pārvietoties.

Sprauslas attālums līdz apstrādājamam materiālam tiek noteikts atkarībā no apstrādājamā materiāla.

Katrā konkrētā gadījumā visatbilstošāko temperatūru nepieciešams noteikt izmēģinājuma veidā. Tāpēc nepieciešams sākt ar zemāku grādu temperatūrā.

Termiskā drošība

Pārmērīga sildelementa pārkārsanas gadījumā (piem. ierobežotas gaisa plūsmas rezultātā) termiskā drošība automātiski to izslēgs, tomēr gaisa padeve tālāk darbojas. Brīdī, kad ierīce atdziest līdz darba temperatūrai, sildelements atkārtoti ieslēgsies.

DARBA NORADĪJUMI:

UZMANĪBU! Darba laikā izvairīties no paralēlas fēna vadības attiecībā pret apstrādājamo virsmu. Tas rada karstā gaisa atstarošanu no virsmas un atkārtotu tā iesūkšanu dzinēja rotorā. Tas rada temperatūras paaugstināšanos dzinēja iekšpusē, kas noved līdz fēna defektam. Fēnu nepieciešams vest apm. 45° leņķī attiecībā pret apstrādājamo virsmu.

Pirms fēna izslēgšanas nepieciešams uz dažām sekundēm pārslēgt zemākas temperatūras darba režīmu, lai sildelements atdziestu. Tas palielinās ierīces ilgtarbību.

Sprauslas pārsega noņemšana

Sevišķi šauru darbu vietu gadījumā sprauslas pārsegu (2) var noņemt.

UZMANĪBU: Strādājot bez sprauslas pārsega pastāv paaugstināta applaucēšanās bīstamība. Nepieciešams ievērot uzmanību!

Lai noņemtu vai uzliktu sprauslas pārsegu ierīcei jābūt izslēgtai un atdziestai.

Sprauslas pārsegu (2) pagriezt līdz atdurei pretēji pulksteņa rādītāja kustības virzienam un noņemt, vai uzlikt un pagriezt līdz atdurei pulksteņa rādītāj kustības virzienā.

Ierīces nolikšana

Lai atdziestētu ierīci vai lai abas rokas būtu brīvas darbam, fēnu nepieciešams novietot vertikāli uz tās stieples statīva (3) uz horizontālas virsmas (skat. zīm. B).

UZMANĪBU: Strādājot ar ierīci novietotu uz statīva nepieciešams būt sevišķi uzmanīgam! Pastāv applaucēšanās bīstamība ar karstu sprauslu vai karstā gaisa plūsmu.

APKALPOŠANA UN KONSERVĀCIJA:

1. Fēnu nepieciešams uzturēt tīru, nodrošinot brīvu gaisa plūsmu.
2. Sargāt fēnu no kontakta ar ūdeni un putekļu, sīko elementu iekļūšanas mašīnā.
3. Fēna plastmasas korpusu nedrīkst tīrīt ar ķīmiskiem tīrīšanas līdzekļiem. Lietot tikai viegli mitru drānu un ziepes. Fēnu var lietot tikai, kad korpusdabīgs apstākļos ir pilnībā izžuvis.
4. Nepieciešams regulāri kontrolēt barošanas vada tehnisko stāvokli un bojājumu atklāšanas gadījumā, vadu nepieciešams nekavējoties apmainīt.
5. Tehnisku problēmu gadījumā lūdzam kontaktēties ar servisu.

RAŽOTĀJS:

PROFIX SIA, Marywilka iela 34, 03-228 Varšava, Polija

VIDES AIZSARDZĪBA:



UZMANĪBU: Tajā veidā apzīmētus izstrādājumus, neizpildes gadījumā paredzot naudas sodu, nedrīkst izmest kopā ar parastiem atkritumiem. Elektriskajā un elektroniskajā iekārtā esošās bīstamīgas vielas var kaitēt apkārtējai videi un cilvēku veselībai.

Nepieciešams veicināt iekārtu atkritumu pārstrādāšanai un atkārtotai izmantošanai (reciklēšanai). Polijā un Eiropā tiek veidots, vai jau eksistē, iekārtu atkritumu vākšanas sistēma, saskaņā ar ko visiem iepriekšminētās iekārtas pārdošanas punktiem ir pienākums pieņemt nolietotu iekārtu. Turklāt, ir pieejamas iepriekšminētās iekārtasvākšanas punkti.



Firmas PROFIX politika ir nepārtraukta savu produktu pilnveidošanas politika, tāpēc firma sev rezervē tiesības ieviest izstrādājuma specifikācijas izmaiņas bez iepriekšējas paziņošanas. Zīmējumi, kuri uzrādīti apkalpošanas instrukcijā kalpo tikai kā piemērs un var nedaudz atšķirties no iegādātās ierīces reālā izskata.

Šī instrukcija ir sargāta ar autortiesībām. Aizliegts to kopēt/pavairot bez PROFIX SIA rakstiskas atļaujas.

**PŘED ZAHÁJENÍM POUŽÍVÁNÍ SE SEZNAMTE S TÍMTO NÁVODEM.**

Uchovávejte návod pro případné další použití.

**POZOR!** Přečtěte si všechny výstrahy týkající se bezpečnosti používání označené symbolem ⚠ a veškeré pokyny týkající se bezpečnosti používání.

Nedodržování uvedených bezpečnostních výstrah a bezpečnostních pokynů může být příčinou zásahu elektrickým proudem, požáru a/nebo závažných úrazů.

Uchovejte výstrahy a pokyny týkající se bezpečnosti pro případné použití v budoucnosti.

V níže uváděných výstrahách pojem „elektronářadí“ znamená elektronářadí napájené z elektrické sítě (elektrickým vodičem) nebo elektronářadí napájené baterií (bezdrátové).

**VÝSTRAHA!** Všeobecné výstrahy týkající se bezpečného používání nářadí.**Bezpečnost na pracovišti:**

- Udržujte na pracovišti pořádek a zajistěte zde dobré osvětlení.** Nepořádek a špatné osvětlení často zapříčiňují nehody.
- Nepoužívejte elektronářadí ve výbušném prostředí tvořeném hořlavými tekutinami, plyny nebo prachem.** Elektronářadí vytváří jiskry, které by mohly zapálit prach nebo výparu.
- Nepouštějte děti ani jiné pozorovatele na místa, kde se používá elektronářadí.** Rušení pozornosti může způsobit ztrátu kontroly nad elektronářadím.

VÝSTRAHA! Všeobecné výstrahy týkající se bezpečného používání nářadí.**VÝSTRAHA!** Všeobecné výstrahy týkající se bezpečného používání nářadí.**Elektrická bezpečnost:**

- Zástrčky nářadí musí odpovídat zásuvkám. Nikdy žádným způsobem nepředělávejte zástrčky.** V případě elektronářadí, které má vodič s ochranným uzemněním, nepoužívejte žádné prodlužovačky. Původní nepředělané zástrčky a zásuvky snižují riziko zásahu elektrickým proudem.
- Vyvarujte se dotýkání uzemněných ploch nebo takových, které jsou spojené s hmotou, jako jsou trubky, ohřivače, radiátory ústředního topení a chladničky.** V případě dotýkání takových ploch a předmětů roste riziko zásahu elektrickým proudem.
- Nevystavujte elektronářadí na působení deště nebo vlhka.** Pokud by se do elektronářadí dostala voda, roste riziko zásahu elektrickým proudem.
- Kabely se nesmí žádným způsobem namáhat.** Nikdy nepoužívejte kabel k nošení, tažení elektronářadí nebo k vytahování zástrčky ze zásuvky. Kabel musí být umístěný daleko od zdrojů tepla, oleje, ostrých hran nebo pohyblivých částí. Poškozené nebo propletené kabely zvyšují riziko zásahu elektrickým proudem.
- V případě, že se elektronářadí používá venku, je třeba prodlužovat elektrické kabely prodlužovači určenými na práci venku.** Používání prodlužovače určeného do venkovního

prostředí snižuje riziko zásahu elektrickým proudem.

- Pokud je nezbytné použít elektronářadí ve vlhkém prostředí, je třeba použít jako ochranu proudový chránič (RCD).** Použití RCD snižuje riziko zásahu elektrickým proudem.

**VÝSTRAHA!** Všeobecné výstrahy týkající se bezpečného používání nářadí.**Osobní bezpečnost:**

- Toto zařízení nesmí používat osoby (včetně dětí) s omezenou fyzickou, smyslovou nebo psychickou schopností, nebo osoby, které nemají odpovídající zkušenosti nebo znalosti zařízení, leda že je používají s příslušným dozorem, nebo v souladu s návodem na používání zařízení, který jim předají osoby zodpovědné za jejich bezpečnost.**
- Při používání elektronářadí je třeba být předvídatý, pozorovat, co se děje, a používat zdravý rozum.** Nepoužívejte elektronářadí, pokud jste unavení nebo pod vlivem drog, alkoholu nebo léků. Chvilé nepozornosti při práci s elektronářadím může způsobit závažné osobní úrazy.
- Je třeba používat osobní ochranné prostředky. Je třeba vždy používat ochranné brýle.** Používání v příslušných podmínkách takových ochranných prostředků, jako je protiprachová respirační maska, protiskluzová obuv, přilba nebo chrániče sluchu, snižuje nebezpečí osobních úrazů.
- Je třeba se vyhnout neplánovanému spuštění.** Před připojením k elektrickému zdroji a/nebo před zapojením baterie a než se nářadí zvedne, nebo přenese, je třeba se ujistit, že je vypínač elektronářadí v poloze vypnutu. Přenášení elektronářadí s prstem na vypínači nebo připojení elektronářadí do sítě se zapojeným vypínačem může být příčinou nehody.
- Před spuštěním elektronářadí je třeba odstranit všechny klíče.** Ponechání klíče v otáčející se části elektronářadí může způsobit poranění.
- Je zakázáno přilížit se naklánět.** Po celou dobu musíte stát pevně a udržovat rovnováhu. Umožní Vám to dobře kontrolovat elektronářadí při nepředvídatelných situacích.
- Je třeba mít vhodné oblečení.** Při práci nenoste volné oblečení ani bžuterii. Je třeba zajistit, aby Vaše vlasy, oblečení a rukavice byly v bezpečné vzdálenosti od pohyblivých částí. Volné oblečení, bžuterie nebo dlouhé vlasy se mohou zachytit do pohyblivých částí.
- Pokud je zařízení přizpůsobeno na napojení k vnějšímu odsávání prachu a pohlcovači prachu, ujistěte se, že jsou připojeny a řádně se používají.** Použitím pohlcovačů prachu můžete omezit nebezpečí závislé na prašnosti.

**VÝSTRAHA!** Všeobecné výstrahy týkající se bezpečného používání nářadí.**Používání elektronářadí a péče o ně:**

- Elektronářadí se nesmí přetěžovat.** Je třeba používat elektronářadí s výkonem vhodným pro provádění určité práce. Správné elektronářadí umožní lepší a bezpečnější práci se zátěží, na kterou bylo naprojektováno.

- b) Elektronářadí, u kterého nefunguje spínač, se nesmí používat. Každé elektronářadí, které nelze zapínat nebo vypínat spínačem, je nebezpečné a je třeba je opravit.
- c) Před provedením každého seřízení, výměny součástky nebo před skladováním odpojte zástrčku elektronářadí od zdroje elektrického proudu a/nebo odpojte baterii. Takový bezpečnostní postup omezuje riziko náhodného spuštění elektronářadí.
- d) Nepoužívané elektronářadí uchovávejte mimo dosah dětí a nedovolte přístup osobám, které nejsou obeznámené s elektronářadím nebo s tímto návodem na používání elektronářadí. Elektronářadí může být nebezpečné v rukách nevyškolených uživatelů.
- e) Elektronářadí je třeba udržovat. Je třeba kontrolovat souosout nebo zaseknutí pohyblivých částí, praskliny součástí a veškeré další faktory, které by mohly ovlivnit činnost elektronářadí. Pokud zjistíte poškození, musíte elektronářadí před použitím opravit. Příčinou mnohých nehod je neodborná údržba elektronářadí.
- f) Řezací nástroje musí být ostré a čisté. Řádná údržba ostrých hran řezacích nástrojů snižuje pravděpodobnost zaseknutí a usnadňuje obsluhu.
- g) Elektronářadí, vybavení, pracovní nástroje apod. používejte v souladu s tímto návodem, při čemž zohledněte pracovní podmínky a druh prováděné práce. Používání jiným způsobem, pro který není elektronářadí určeno, může způsobit nebezpečné situace.
- h) V nízkých teplotách, nebo pokud se nářadí po delší dobu nepoužívá, doporučuje se zapnout elektronářadí bez zátěže po dobu několika minut za účelem řádného promazání mechanismu pohonu.
- i) K čištění elektronářadí používejte měkký, vlhký (ne mokry) hadřík a mýdlo. Nepoužívejte benzin, rozpouštědla a další prostředky, které by mohly poškodit zařízení.
- j) Elektronářadí je třeba skladovat / dopravovat až potom, co se ujistíte, že jsou veškeré jeho pohyblivé součásti zablokované a zajištěné proti odblokování s použitím původních součástek určených k tomuto účelu.
- k) Elektronářadí skladujte na suchém místě chráněném proti prachu a průniku vlhkosti.
- l) Doprava elektronářadí by měla probíhat v původním obalu tak, aby bylo chráněné proti mechanickému použití.



VÝSTRAHA! Všeobecné výstrahy týkající se používání nářadí.

Oprava:

- a) Opravy elektronářadí je třeba objednávat výhradně u kvalifikované osoby, využívejte původní náhradní součástky. Zajistíte tím, že používání elektronářadí bude stále bezpečné.



UPOZORNĚNÍ! OPALOVACÍ PISTOLE, další upozornění týkající se bezpečnosti–

Bezpečnost na pracovišti:

- a) Je nutné pracovat v dobře větrané místnosti. Plyny a výpary, které vznikají během práce, jsou často zdraví škodlivé.
- b) Je zakázáno používat opalovacího zařízení v blízkosti míst

skladování hořlavých materiálů nebo výbušných plynů.

Silné působení (např. z důvodu nevhodného zacházení) zahřívání tímto zařízením způsobuje zvýšené nebezpečí požáru a výbuchu! Je třeba si uvědomovat, že teplo se může přenášet na hořlavou materiál, které jsou mimo zorný úhel.

- c) Je zakázáno směřovat trysku s vytékajícím horkým proudem vzduchu na jiné osoby, zvířata a ve směru hořlavých látek.

Elektrická bezpečnost:

- a) Nepoužívejte pistolí během deště nebo v podmínkách zvýšené vlhkosti. Může to způsobit zranění nebo ohrozit váš život, z důvodu zasažení elektrickým proudem.
- b) Při použití opalovacího pistole venku je třeba používat zařízení s proudovým chráničem (RCD). Použití RCD snižuje riziko zasažení elektrickým proudem
- c) Před každým spuštěním zkontrolujte zařízení, přívodový kabel i zástrčku. V případě, že zjistíte jakékoliv poškození, okamžitě přerušte práci a zařízení předejte k opravě do oprávněného servisního místa (adresa je uvedena v záručním listu). Pokračování v práci s poškozeným strojem může ohrozit vaše zdraví nebo život. Nikdy sami neotvírejte pistolí!
- d) Nevkládejte do trysky žádné předměty. Můžete tím způsobit poškození pistole a zásah elektrickým proudem.
- e) Elektrický kabel držte vždy ze zadní strany pistole.
- f) Je zakázáno směřovat horký vzduch na přívodní elektrický kabel nebo dotýkat se jej horkou tryskou. Může tím roztrvat izolaci a být zasažení elektrickým proudem.
- g) Nepřeházejte ani nezavěšujte zařízení za přívodný kabel.
- h) Je zakázáno používat elektrické zařízení s poškozeným přívodným kabelem. Je zakázáno dotýkat se poškozeného kabelu; v případě, že se poškodí během práce, je třeba ihned vytáhnout zástrčku ze zásuvky. Poškozené přívodné kabely zvyšují riziko zasažení el. proudem.



VAROVÁNÍ!

Pokud se poníči neodpojovatelný přívodný kabel, je třeba se vystríhat ohrožení, a proto nutné jej nechat vyměnit u výrobce nebo v oprávněné opravě, nebo oprávněnou osobou.

Osobní bezpečnost:

- a) Během opracovávání plastů, barev, laků a podobných látek se můžou uvolňovat hořlavé a toxické plyny. Pistol nepoužívejte poblíž hořlavých plynů nebo látek.
- b) Pro ochranu před výpady používejte speciální masku, která chrání před vdechnutím drobného prachu a výparů z olověných barev; dbejte také na bezpečí jiných osob, které se můžou nacházet poblíž vašeho pracoviště.
- c) Nebezpečte popálení! Nikdy se nedotýkejte horké trysky. Vždy používejte ochranné rukavice.
- d) Při zapnutém stroji nikdy nenakukujete do trysky.
- e) Během práce vždy používejte ochranné brýle.
- f) Nepoužívejte stroj jako fén na vlasy! Teplota vzduchu z opalovací pistole značně převyšuje teplotu vzduchu z fénu.

Používání elektronářadí a péče o ně:

- Chraňte opalovací pistol před úderu nebo poškozením povrchu ostrými předměty.**
- Během používání musí být opalovací zařízení pod stálým dohledem. Je zakázáno ponechat zapnuté opalovací zařízení bez dozoru.**
- Před začátkem používání pistole nejdříve zkontrolujte přívod a vývod vzduchu a případně odstraňte předměty, které by mohly volný průtok vzduchu blokovat.**
- Vyhnete se směřování zařízení po delší dobu na jedno místo.**
- Nespalujte barvu, může to vést ke vzniku požáru. Dávejte pozor, aby se barva nepřilepila na trysku, mohla by se časem vznítit.**
- Nezakrývejte šterbiny pro přívod vzduchu ani ústí trysky, může to vést k nadměrnému zahřátí a poškození pistole. Ústí trysky nepřibližujte k opalovanému předmětu blíže než na 5 cm.**
- Během práce a bezprostředně po ní neopírejte trysku o žádný předmět. Nepokládejte opalovací pistol na boku. Pokud odkládáte opalovací zařízení, musí být vždy postaveno ve svislé poloze na své drátěné podložce (3).**
- Během přestávek při práci, pokud pistol nepoužíváte, a také před začátkem jakýchkoli úkonů na pistol (např. kontrola, čištění, nastavení) vždy vytáhněte zástrčku ze zásuvky.**
- Po ukončení práce s opalovacím zařízením je nejdříve odložte s tryskou směrem nahoru, aby vychladlo, teprve pak je můžete schovat. Nikdy se nedotýkejte kovové trysky po vypnutí opalovacího zařízení, mohli byste si způsobit závažné popáleniny.**
- Nikdy nedovolte, aby opalovací pistol používaly děti.**

STAVBA A URČENÍ OPALOVACÍHO PISTOLE:

Opalovací pistol je ruční elektronářadí. Má malé rozměry, ergonomický tvar, nízkou hladinu hluku, velkou rychlost vypouštění vzduchu, dvoustupňová nastavení teploty práce.

Nástroj je určen na odstraňování nátěrů, formování a svařování umělých hmot, smršťování termo smršťitelných fólií. Pistol je možné také použít na změkčování lepidla a zahřívání zamrzlého vodovodního potrubí.

Nepoužívejte pistol na práce, u nichž je nutné použití profesionálních nástrojů. Každé použití opalovacího pistole jinak, než je uvedeno výše, je zakázáno a způsobí ztrátu záruky, výrobce také nebude zodpovědný za škody vzniklé nesprávným zacházením.

Jakékoliv změny, provedené na zařízení uživatelem, taktéž ruší povinnost výrobce nést zodpovědnost za poškození a škody, způsobené uživateli a okolí.

■ Kompletace

- Opalovací pistole - 1 ks.
- Návod na obsluhu - 1 szt.
- Záruční list - 1 ks.

■ Prvky pistole (viz obr. A):

Číselné označení prvků opalovacího pistole se týká grafického znázornění, které se nachází na 2 straně návodu k použití:

- Výstupní tryska
- Kryt trysky
- Drátěná podložka
- Kabel napájení
- Vypínač/ Přepínač pracovního režimu

TECHNICKÉ ÚDAJE:

Jmenovité napětí	230V
Jmenovitý kmitočet	50 Hz
Odebíraný výkon (1/2)	1000W / 2000W
Pracovní teplota (1/2)	450°C / 600°C
Průtok vzduchu (1/2), ok.	350 l/min / 500 l/min
Třída zařízení	II
Stupeň ochrany	IP20
Hmotnost	1,0 kg

■ Informace ohledně hluku

Měrné vlastnosti byly určeny dle EN 50 144.

Naměřená hladina akustického tlaku je nižší než 70 dB(A).

PŘED ZAČÁTKEM PRÁCE:

- Ujistěte se, že zdroj el. energie, do nějž chcete pistol zapojit, svými parametry odpovídá parametrům vyznačeným na výrobním štítku stroje.
- Hlavní vypínač (5) třípolohový (0-vyp., 1-450°C, 2-600°C). Ujistěte se, že hlavní vypínač je v poloze „vypnuto“. Pokud byl byl v poloze „zapnuto“ během zapojování do sítě, může dojít k vážnému zranění, protože pistol okamžitě začne pracovat.
- V případech, kdy je pracoviště vzdálené od zásuvky, je možné použít prodlužovačku s odpovídajícím průměrem, přizpůsobeným velikosti odebírané elektrické energie. Doporučujeme použití co nejkratších prodlužovacích šňůr. Prodlužovací šňůra by měla být zcela rozvinutá.

BĚHEM PRÁCE:

■ Zapínání/Vypínání

- Za účelem zapnutí stlačte vypínač/přepínač pracovního režimu (5) do polohy **1** nebo **2**.
- Za účelem vypnutí stlačte vypínač/přepínač pracovního režimu (5) na doraz do polohy **0**.

■ Nastavení teploty a průtoku vzduchu

Vypínač/přepínač pracovního režimu (5) může být nastavený v jedné ze dvou pracovních poloh.

Vhodný proud vzduchu a teplotu lze nastavit podle tabulky:

Pracovní režim 1	350 l/min - 450°C
Pracovní režim 2	500 l/min - 600°C

POZOR: Při přepínání teploty z vyšší na nižší je nutná určitá doba na chlazení opalovacího zařízení.

Snížení proudu vzduchu se doporučuje během:

- omezenost možnosti zahřívání okolí zpracovávaného materiálu;
- nebezpečí, že by mohl být zpracovávaný předmět proudem vzduchu přemístěn.

Vzdálenost trysky od zpracovávaného předmětu se určuje podle materiálu tohoto předmětu, ale nemůže být menší než 5 cm.

V konkrétním případě je třeba určit nejvhodnější teplotu zkouškou. Z toho důvodu začíněte s nižším stupněm teploty.

■ Tepelná pojistka

Při nadměrném nahřátí ohřívacího tělesa (např. při omezeném průtoku vzduchu) tepelná pojistka automaticky vypne stroj, ale vzduchová tryska stále pracuje. Ve chvíli, kdy se nástroj zchladí do pracovní teploty, ohřívací těleso se znovu zapne.

PRACOVNÍ POKYNY:

POZOR! Během práce se vyvarujte kolmému nastavení opalovací pistole vůči opalovanému povrchu. Způsobuje to odražení proudu horkého vzduchu od povrchu a zpětné vtáhnutí do rotoru. Teplota uvnitř motoru se velmi zvýší a opalovací pistol se může poškodit. Pistol je třeba nastavit v úhlu cca 45° vůči opalovanému povrchu.

Před vypnutím nářadí je třeba na více než deset vteřin nastavit pracovní režim na nejnižší teplotu a maximálně zvýšit průtok vzduchu za účelem chlazení topného prvku. Zvyšujte to trvanlivost nářadí.

■ Sundání krytu výstupní trysky

Při práci v obzvlášť úzkých místech je možné kryt trysky (2) sundat.

POZOR: Při práci bez krytu trysky existuje zvýšené nebezpečí popálení. Zachovávejte opatrnost!

Když chcete sundávat nebo nasazovat kryt trysky, musíte zařízení nejdříve vypnout a počkat, až zchladne.

Kryt trysky (2) otočte až nadoraz v protisměru pohybu hodinových ručiček a sundejte jej, nebo jej nasadte a otočte až nadoraz ve směru pohybu hodinových ručiček.

■ Odložení nástroje

Za účelem chlazení rozehrátého zařízení, nebo abyste měli při práci obě ruce volné, umístěte opalovací zařízení svisle na jeho drátěné podložce (3) na rovném povrchu (viz obr. B).

POZOR: Při práci s odloženou pistolí je třeba být obzvláště pozorní! Je zde nebezpečí, že se uživatel spálí o horkou trysku nebo horkým proudem

vzduchu.

OBSLUHA A ÚDRŽBA:

1. Opalovací pistol udržujte čistou, aby měla zajištěný volný průtok vzduchu.
2. Chraňte opalovací pistol před kontaktem s vodou a vniknutím prachu a jiných drobných částic dovnitř nástroje.
3. Plastový kryt pistole nečistěte chemickými čističi. Používejte lehké vlhké hadříky a mýdlo. Opalovací pistol je možné znovu použít teprve po jejím uschnutí na vzduchu.
4. Pravidelně kontrolujte technický stav elektrického kabelu, pokud objevíte poškození, je třeba kabel okamžitě vyměnit.
5. V případě výskytu technických problémů kontaktujte prosím servis. Adresy autorizovaných servisů jsou uvedeny v záručním listu.

VÝROBCE:

PROFIX s.r.o.
ul. Marywilska 34,
03-228 Varšava, Polsko

OCHRANA ŽIVOTNÍHO PROSTŘEDÍ:



POZOR: Zobrazený symbol znamená zákaz likvidace zařízení dohromady s jinými odpady (na porušení zákazu se vztahuje pokuta). Nebezpečné složky, které se nacházejí v elektrickém a elektrotechnickém vybavení mají negativní vliv na životní prostředí a lidské zdraví.

Domácnosti by se měly zapojit do získávání zpět a opětovného využívání (recyklace) starých elektrospotřebičů. V Polsku a v Evropě se tvoří nebo už existuje systém sběru elektroodpadu, v rámci kterého mají všechna prodejní místa elektrospotřebičů povinnost přijímat elektroodpad. Kromě toho existují sběrná místa pro elektroodpad.



Politika firmy PROFIX je politikou průběžného zdokonalování výrobků, z toho důvodu si firma vyhrazuje právo změnit specifikaci výrobku bez předchozího informování. Obrázky, uvedené v návodu na obsluhu, jsou pouze příklady a mohou se lišit od skutečného vzhledu zakoupeného zařízení.


Tento návod je chráněn autorským zákonem. Jeho kopírování / rozmnožování bez písemného souhlasu společnosti PROFIX s.r.o. je zakázáno.



HASZNÁLAT ELŐTT OLVASSA EL EZEKET AZ UTASÍTÁSOKAT!

Tartsa meg ezt az útmutatót későbbi tájékozódás céljából!



FIGYELEM! Olvassa el a  szimbólummal jelzett, a munkavédelemmel kapcsolatos összes figyelmeztetést és a biztonságos használatra vonatkozó összes utasítást!

A következő biztonsági előírások be nem tartása miatt baleset, áramütés, tűzveszély és/vagy komoly sérülés fordulhat elő

Őrizz meg az összes munkavédelmi figyelmeztetést és utasítást későbbi felhasználás céljából!

Az alábbi figyelmeztetések során használt „elektromos szerszám” kifejezés olyan szerszámot jelöl, melynek áramellátása hálózatról (tápkábellel) vagy akkumulátorral (kábel nélkül) történik.



FIGYELEM! Általános munkavédelmi szabályok:
Munkahelyi biztonság:

- Tartsa tisztán a munkaterületét és ügyeljen a jó megvilágításra! A munkaterületén uralkodó rendetlenség balesetekhez vezethet.
- Ne dolgozzon elektromos szerszámmal robbanásveszélyes környezetben, gyulladásveszélyes folyadékok, gázok vagy folyadékok közelében. Az elektromos szerszámok használata során szikra keletkezhet, mely belobbanhatja a port és a gőzöket.
- Tartsa távol a gyermekeket attól a helytől, ahol használja az elektromos szerszámot. A figyelemelterelés miatt elveszítheti kontrollját az elektromos szerszám felett.



FIGYELEM! A szerszám biztonságos használatával kapcsolatos általános szabályok:
Elektromos biztonság:

- Az elektromos szerszám csatlakozó dugója meg kell feleljen az aljzattal. Tilos a csatlakozó dugó módosítása! Tilos hosszabbítók használata a védőföldeléses kábelrel ellátott elektromos szerszámok esetében! A csatlakozó dugók és aljzatok módosítása növeli az áramütés kockázatát!
- Kerülje a testi érintkezést a földelt felületekkel vagy tárgyakkal, mint a csövek, fűtőtestek, fűtőadiátorok vagy hűtőszekrények! A földelt részekkel való érintkezés esetén nő az áramütés kockázata!
- Ne tegye ki esőnek vagy nedves környezetnek az elektromos szerszámot! *Víz behatolása esetén nő az áramütés kockázata!*
- Ne erőltesse a csatlakozó kábel! Ne használja a hálózati kábelt a szerszám mozgatására, húzására vagy a csatlakozó dugó aljzattól történő kihúzására. Tartsa távol a hálózati kábelt hőforrásoktól, olajtól, éles szélektől és mozgó alkatrészekről! A sérült vagy összegabalyodott kábelek növelik az áramütés kockázatát!
- Amennyiben az elektromos szerszámot a szabadban használja, a csatlakozást a szabadban történő használatra alkalmas kültéri hosszabbítókkal kell megoldani. A szabadban

történő használatra alkalmas hosszabbítók használata csökkenti az áramütés kockázatát.

- Amennyiben az elektromos szerszámot nedves környezetben használja, elkerülhetetlen egy feszültségvédelmi eszköz használata, mint egy hibaáram védelmi kapcsoló (RCD). Az RCD használata csökkenti az áramütés kockázatát.



FIGYELEM! A szerszám használatának biztonságával kapcsolatos általános figyelmeztetések:

Személyi biztonság:

- Ez a berendezés nem használható csökkentett fizikai, szenzoriális vagy mentális képességű személyek (beleértve a gyermekeket is), tapasztalattal nem rendelkező személyek vagy olyan személyek által, akik nem ismerik a berendezést, kivételt képeznek azok a helyzetek, amikor a berendezés használata felügyelet alatt vagy a használati utasítások betartásával történik egy, a biztonságért felelős személy által.
- Legyen figyelmes, összpontosítson arra, amit csinál és legyen mindig annak tudatában, hogy elektromos szerszámmal dolgozik! Ne használja az elektromos szerszámot, ha fáradt, ha kábítószert, alkoholt vagy gyógyszer befolyása alatt áll! Elektromos szerszám használatánál egy pillanatra figyelmen kívül hagyása komoly sérülések okozója lehet!
- Hordjon védőruházatot! Minden esetben viseljen védőeszközöket! Olyan védőruházat hordása mint a porvédő maszk, csúszásbiztos cipő, fülvédő vagy hallásvédő csökkenti a sérülések kockázatát!
- Kerülje el, hogy az elektromos szerszám véletlenül bekapcsoljon! A hálózati áramforrásra történő csatlakozás és/vagy az akkumulátor csatlakoztatása, valamint a szerszám felemelése vagy mozgatása előtt, győződjön meg arról, hogy az elektromos szerszám kapcsolója kikapcsolt állapotban van! Az elektromos szerszám mozgatása vagy bekapcsolt állapotban történő használata balesetet okozhat!
- Az elektromos szerszám beindítása előtt távolítsa el minden szerszámot a közelből! Az elektromos szerszám mozgó részein hagyott szerszámok sérüléseket okozhatnak!
- Ne hajtjon le mélyen! Álljon biztosan és tartsa meg az egyensúlyát! Ez az elektromos szerszám jobb ellenőrzését teszi lehetővé váratlan helyzetekben.
- Öltözzön fel megfelelően! Ne hordjon bő ruházatot vagy ékszert! Haját kösse be, ruházatát és kesztyűjét tartsa távol a mozgó alkatrészekről! A bő ruházat, az ékszer és a hosszú haj beleakadhat a mozgó alkatrészekbe.
- Amennyiben a berendezés alkalmas külső porszívó és porgyűjtő csatlakoztatására, győződjön meg arról, hogy ezek helyesen lettek csatlakoztatva és használva. A porgyűjtő használata csökkentheti a porral járó veszélyek kockázatát.



FIGYELEM! A szerszám biztonságos használatára vonatkozó általános figyelmeztetések:

Az elektromos szerszám használata és gondozása:

- Ne terhelje túl az elektromos szerszámot! Az elvégzendő munkához szükséges teljesítmény függvényében használjon elektromos szerszámokat! A megfelelő elektromos szerszám jobb működést és biztosabb terhelést tesz lehetővé.
- Tilos az elektromos szerszám használata, ha a kapcsoló nem indítja el és nem állítja meg a szerszámot! Minden elektromos szerszám, amely nem indul el vagy nem áll meg, veszélyes és meg kell javítani!
- Minden beállítást, alkatrészcsere vagy tárolás előtt húzza ki a csatlakozó dugót az elektromos szerszám hálózati áramforrásából és/vagy vegye ki az akkumulátort! Ezek a biztonsági intézkedések csökkentik az elektromos áram véletlenszerű bekapcsolását.
- A használaton kívüli elektromos szerszámot gyermekektől távol kell tárolni, és nem szabad kölcsön adni olyan személyeknek, akik nem ismerik az elektromos szerszámot vagy nem olvasták el annak használati utasításait! Az elektromos szerszám veszélyes, ha tapasztalat nélküli személy használja!
- Az elektromos szerszámot karban kell tartani! Ellenőrizni kell a mozgásban lévő alkatrészek vonalbeállítását vagy zavarát, az alkatrészek törését és egyéb tényezőket, melyek befolyásolhatják az elektromos szerszám működését! Ha rongálódást észlelünk, az elektromos szerszámot még használat előtt meg kell javítani! Számos baleset oka az elektromos szerszám nem megfelelő karbantartása.
- A vágószerszámok élesek és tiszták kell legyenek! A vágószerszámok éles alkatrészeinek karbantartása csökkenti az anyagba történő beakadás kockázatát és megkönnyíti a használatot.
- Az elektromos szerszámot, a berendezést, a munkaszerszámokat, stb. jelen utasításoknak megfelelően kell használni, figyelembe véve a munka jellegét és feltételeit. Az elektromos szerszám rendeltetésétől eltérő használatra veszélyes helyzeteket okozhat.
- Alacsony hőmérsékleten vagy hosszabb használaton kívüli időszakot követően ajánlott az elektromos szerszám teher nélküli elindítása néhány percre a kenőanyag átviteli mechanizmusba történő helyes elosztása érdekében.
- Az elektromos szerszám tisztításához puha, nedves (nem vizes) rongyot és szappant használjon! Ne használjon benzint, oldószert vagy egyéb anyagokat, amelyek károsíthatják a berendezést!
- Az elektromos szerszámot csak azután lehet tárolni/shállítani, miután megbizonyosodtunk arról, hogy minden mozgó eleme rögzítésre és biztosításra került a rögzítésre szánt eredeti elemek segítségével.
- Az elektromos szerszámot száraz helyen kell tartani, védve a portól és a nedvességtől.
- Az elektromos szerszám szállítása az eredeti csomagolásban történhet, megvédve ezáltal a mechanikai sérülésektől.



FIGYELEM! A szerszám biztonságos használatára vonatkozó általános figyelmeztetések:

Javítás:

- Az elektromos szerszám javítását olyan szakemberek végezhetik, akik eredeti cserealkatrészeket használnak. Ez biztosítja azt, hogy az elektromos szerszám használata biztonságosan történik.



FIGYELEM! FORRÓLEVEGŐS PISZTOLY, biztonsággra vonatkozó figyelmeztetések -

Személyi biztonság:

- Jól szellőző munkahelyen dolgozzon! A működés közben keletkező gázok és gőz az egészségre károsak!
- Tilos a forrólevegős pisztoly, a továbbiakban «pisztoly» használata a gyúlékony anyagok vagy robbanásveszélyes gázok raktárhelye közelében!
A pisztoly túlzott felmelegedése (például a helytelen használat következtében) növeli a tüzetet vagy robbanás kockázatát! Tudatában kell lennie annak, hogy a forró levegő elérheti a nem látható gyúlékony anyagokat!
- Tilos a pisztoly forró levegőt kibocsátó hegyét más személyek, állatok vagy olyan hely felé irányítani, ahol gyúlékony anyagokat tárolnak!

Elektromos biztonság:

- Ne használja a szerszámot esőben vagy magas nedvességű környezetben! Ez sebesülést vagy áramütést következtében testi sérüléseket okozhat!
- A pisztoly szabadban történő használatakor mindig használjon egy RCD differenciáló berendezést! Az RCD használata csökkenti az áramütés kockázatát.
- Minden bekapcsolás előtt ellenőrizze a pisztolyt, a tápkábel és a csatlakozó dugót! Sérülés esetén szakítsa meg a munkát és vegye el a szerszámot egy engedélyezett javítóműhelybe! (a cím a garanciaalapon van feltüntetve) A sérült pisztollyal történő munka folytatása veszélyt jelent az egészségre és az életre! Soha ne nyissa fel a szerszámot!
- Ne helyezzen elemeket a pisztoly hegyébe! A szerszám sérüléséhez és áramütéshez vezethet!
- A tápkábel mindig a szerszám mögött kell elhelyezkedjen!
- Tilos a forró levegőáramlás tápkábel felé történő irányítása vagy a tápkábelnek a pisztoly forró hegyével történő megérintése! Fennáll a szigetelés olvadás és az áramütés veszélye!
- Tilos a tápkábel húzása vagy beakadása!
- Tilos az elektromos készülék sérült tápkábelrel történő használata! Tilos a sérült kábelt megérintése! Amennyiben a kábel a készülék használata közben sérül meg, húzza ki a csatlakozó dugót az aljzatból! A sérült kábeleket növelik az áramütés kockázatát!



FIGYELMEZTETÉS!

Amennyiben a tápkábel sérült, a gyártónál vagy egy speciális javítóműhelyben vagy egy szakember által újjal kell kicserélni a balesetek elkerülése érdekében.

Személyi biztonság:

- Műanyagok, festékek, lakkok és egyéb ehhez hasonló anyagok megmunkálásakor gyúlékony és mérgező gázok

szabadulhatnak fel. A szerszám nem használható gázok és gyúlékony anyagok környezetében!

- b) A gőz elleni védelem érdekében használjon speciális maszkot, amely megvédi a portól és az ólmot tartalmazó festékekből felszabaduló gőztől, és vigyázzon a munkahelyen tartózkodó többi személy biztonságára!
- c) **Égésveszély!** Soha ne érintse meg a pisztoly forró hegyét! Mindig használjon védőkesztyűt!
- d) Amikor a pisztoly működik, ne fújjon annak hegyébe!
- e) Mindig használjon védőszemüveget a munkavégzés során!
- f) **Ne használja a szerszámot hajszáritóként!** A szerszámból áradó levegő hőmérséklete sokkal magasabb, mint a hajszáritó hőmérséklete.

Az elektromos szerszám használata és megóvása:

- a) Óvja a pisztolyt az ütésektől és az éles tárgyak által okozott rongálódásoktól!
- b) Használat közben a pisztolyt folyamatosan felügyelni kell! Ne hagyja a felügyelet nélkül a működő pisztolyt!
- c) A pisztoly használata előtt ellenőrizze a levegő be- és kimeneti nyílásait és távolítsa el az esetleges elemeket, melyeket akadályozzák a levegő szabad átjutását!
- d) Kerülje a szerszám ugyanazon irányba hosszú ideig történő irányítását!
- e) **Ne égesse a festéket! Tűzveszélyes!** Ügyeljen arra, hogy a festék ne ragadjon a pisztoly hegyéhez, mert egy idő után meggyűlölhat!
- f) **Ne fedje be a levegő be- és kimeneti nyílásait, mert a hőmérséklet emelkedéséhez és a pisztoly sérüléséhez vezethet!** A kimeneti nyílás nem lehet 5cm-nél közelebb a megmunkált anyagtól!
- g) Használat közben és rögtön a munkavégzés után ne támassza a pisztoly hegyét a környező tárgyakhoz! Tilos a pisztoly oldalára helyezése! Ha le tesszük a pisztolyt, mindig függőleges pozícióban kell támasztani a drótlapzathoz (3)!
- h) Munkaszünetek alatt, használaton kívüli alkalmak esetén és minden, a pisztoly mellett vagy azzal végzett művelet előtt (pl. átvizsgálás, tisztítás, beállítás) húzza ki a csatlakozó dugót az aljzathoz!
- i) A pisztollyal történő munka befejezése után meg kell várni, amíg a pisztoly hegye kihűl, és csak ezt követően lehet becsmagolni! Soha ne érintkezzen a pisztoly fém hegyével annak kikapcsolása után, súlyos égést okozhat!
- j) **Ne engedje meg a pisztoly gyermekek általi használatát!**

A PISZTOLY FELÉPÍTÉSE ÉS RENDELTETÉSE:

A pisztoly egy kézi elektromos szerszám. Kis méretek, ergonómikus forma, alacsony zajszint, nagy sebességű levegőáramlás, a működési hőmérséklet bimodális beállítása jellemzi.

A szerszám rendeltetése: festékréteg eltávolítása, szintetikus anyagok alakítása és hegesztése, valamint termikus kölcsönhatású „ingek” szorítása. A szerszám ugyanakkor az enyv feloldására vagy a szennyvízcsatornák felolvasztására is alkalmas.

Tilos a szerszámot olyan munkák végzésére használni, melyek professzionális készüléket igényelnek! A készülék minden olyan használata, amely eltér a fent említett rendeltetéstől, tilos és a garancia elvesztéséhez vezet, a gyártó nem felelős az ezekből eredő károkért.

A készülék összes, a felhasználó által végzett módosítása mentesíti a gyártót a felelősség alól a felhasználónak és a környezetnek okozott károkért.

■ Elemek

- Forrólevegős pisztoly – 1 db.
- Használati utasítás – 1 db.
- Garanciaalap – 1 db.

■ A szerszám elemei (lásd: A. ábra):

Az elemek számozása a használati utasítások 2. oldalán szereplő grafikus megjelenítésre vonatkoznak:

1. Kimeneti fűvóka
2. Fűvóka pajzs
3. Drótlapzat
4. Tápkábel
5. Kapcsoló/Munkatípus kapcsoló

MŰSZAKI SPECIFIKÁCIÓK:

Tápfeszültség	230 V
Tápfrekvencia	50 Hz
Felvett teljesítmény (1/2)	1000 W / 2000W
Munkahőmérséklet (1/2)	450°C / 600°C
Levegőhozam (1/2), kb.	350 l/perc / 500 l/perc
Berendezés osztálya	II
Biztonsági szint	IP20
Súly	1,0 kg

■ Zajra vonatkozó információk

A mérési értékek az EN 50144 szabványnak megfelelően kerültek meghatározásra.

A mért hangnyomás szint kisebb 70 dB(A)-nél.

A MUNKA MEGKEZDÉSE ELŐTT:

1. Bizonyosodjon meg arról, hogy az áramforrás a pisztoly nominális tábláján feltüntetett paramétereknek megfelelő paraméterekkel rendelkezik!
2. Főkapcsoló (5) három pozícióval (0-kikapcsol, 1-450°C, 2-600°C). Bizonyosodjon meg arról, hogy a főkapcsoló ki van kapcsolva! A csatlakozó dugó aljzathoz történő behelyezése esetén, amennyiben a kapcsoló bekapcsol pozícióban van, súlyos balesetet okozhat, mivel a pisztoly azonnal működésbe lép.
3. Amennyiben a munkavégzés helye távol van az aljzattól, használjon hosszabbítót, melynek szakaszai megfelelnek a kábellel, az átjáró áram méretétől függően. Ajánlott minél rövidebb hosszabbítót használni! A hosszabbító teljesen ki kell legyen feszítve!

MUNKAVÉGZÉS KÖZBEN:

■ Be/kikapcsolás

- Bekapcsoláshoz nyomja a kapcsolót (5) 1-es vagy 2-es pozícióba!
- Kikapcsoláshoz nyomja a kapcsolót (5) teljesen a 0 pozícióba!

■ A hőmérséklet és a levegőáramlás szabályozása

A kapcsoló (5) két munkapozícióba állítható be.

A levegőáramlás és a hőmérséklet a táblázat szerint állapítható meg:

1-es modul	350 l/perc-450°C
2-es modul	500 l/perc-600°C

FIGYELEM! A magas hőmérséklet alacsonyra való módosításakor a pisztolynak szüksége van valamennyi időre, amíg lehűl!

A levegőáramlás csökkentése ajánlott:

- a megmunkált anyag környezetének korlátozott fűthetőségekor;
- abban a veszélyhelyzetben, amikor a megmunkált anyagot a levegőáramlás elmozdíthatja.

A fúvóka hegye és a megmunkált anyag közötti távolság a megmunkált anyag függvényében kerül beállításra.

Minden esetben a szükséges hőmérséklet egy próba után kerül beállításra, a megmunkált anyag függvényében. Ezért kell alacsony hőmérsékleten kezdenünk.

■ Hőbiztosíték

Amennyiben a melegítő túl van hevülve (például korlátozott levegőáramlás), a hőbiztosíték automatikusan kikapcsolja a melegítőt, de a ventilátor továbbra is működik. Amikor a pisztoly a megfelelő munkahőmérsékletre hűl le, a melegítő újra bekapcsol.

KEZELÉSI UTASÍTÁSOK:

FIGYELEM! Működés közben, a megmunkált felület függvényében, kerülje a pisztoly merőlegesen történő behelyezését! Ez a forró levegő a megmunkált felületre történő visszaverődéséhez vezet és a motor járókereke általi felszívásához. A motor belsejében történő hőmérséklet emelkedéséhez vezet, ami a pisztoly sérülését okozhatja. A pisztolyt a megmunkált felülethez képest 45°-os szögben kell tartani!

A pisztoly kikapcsolása előtt a munkaeljárást néhány másodpercre alacsonyabb hőmérsékleten kell végezni a fűtélem hűtése érdekében. Ez növeli a szerszám élettartamát.

■ A fúvóka pajzs leszerelése

A keskeny helyek esetében a fúvókapajzs (2) leszerelhető.

FIGYELEM! A leszerelt pajzsral történő használat közben égésveszély áll fenn! Legyen nagyon óvatos!

A fúvókapajzs fel- és leszereléséhez a szerszámot ki kell kapcsolni és le kell hűteni!

A fúvóka pajzsot az órájárással ellentétes irányba kell teljesen lecsavarni és ezáltal leszerelni, vagy felszerelni az órájárással megegyező irányba történő csavarással.

■ A szerszám nyugalmi állapota

A felhevült szerszám hűtéséhez vagy mindkét kéz szabadabb tételéhez vízszintes felületen hagyja a drótaljazaton (3) a függőleges pisztolyt (lásd: B. ábra)

FIGYELEM! Legyen nagyon figyelmes a nyugalmi állapotban lévő szerszám melletti munkavégzés során! A felhevült pisztoly hegy vagy a forró levegőáram égési veszélyt jelent!

HASZNÁLAT ÉS KARBANTARTÁS:

1. A pisztolyt tisztán kell tartani, biztosítva a levegő szabad áramlását!
2. Védje a pisztolyt a vízzel való érintkezéstől és a por, kosz vagy egyéb kis elemek a gép belsejébe történő beszűrődésétől!
3. A pisztoly műanyag gépháza nem tisztítható vegytisztító anyaggal! Enyhén nedves rongyot és szappant használjon! A pisztoly csak a gépház természetes környezetben történő teljes megszáradása után használható!
4. Rendszeresen ellenőrizze a tápkábel műszaki állapotát és sérülés esetén cserélje ki a tápkábelt!
5. Műszaki problémák esetén kérjük, keresse fel a javítóműhelyt!

GYÁRTÓ:

PROFIX Sp. z o.o.,
Marywilka u. 34,
03-228 Varsó, LENGYELORSZÁG

KÖRNYEZETVÉDELEM:



FIGYELEM! Ez a jel jelöli, hogy a használt készüléket tilos egyéb hulladékkal egy helyen elhelyezni (pénzbüntetés terhe mellett). Elektromos és elektronikus gépek veszélyes alkotórészei negatívan befolyásolják a környezetet és az emberek egészségét.

Minden háztartásnak hozzá kell járulnia a használt készülékek visszanyeréséhez és újrahasznosításához. Úgy Lengyelországban, mint Európában megszervezik vagy már létezik a használt készülékek gyűjtési rendszere, melynek keretében az adott készülék minden értékesítési helyén kötelesek átvenni a használt készüléket. Ezenkívül léteznek ilyen típusú készülékek gyűjtő központjai.




A PROFIX cég politikája az, hogy folyamatosan tökéletesítse termékeit, ezért fenntartja magának azt a jogot, hogy a termék specifikációit előzetes tájékoztatás nélkül módosítsa! A használati utasításokban megjelölt ábrák csak példák, ezek kicsit eltérhetnek a megvásárolt eszköz valódi arculatótól!

Jelen használati utasítást szerzői jogok védik. A PROFIX Sp. z o.o. társaság írásos hozzájárulása nélküli másolása/sokszorosítása tilos!



PRIEŠ RADEKANT DARBĄ SUSIPAŽINKITE SU INSTRUKCIJA.

Išsaugokite instrukciją, nes gali būti reikalinga vėliau.

ĮSPĖJIMAS! Prašome perskaityti visus įspėjimus dėl saugaus naudojimo pažymėtus simboliais  bei visas nuorodas dėl saugaus naudojimo.



Žemiau pateikiamų įspėjimų dėl saugos bei saugos nuorodų nesilaikymas gali būti elektros smūgio, gaisro ir/arba sunkių kūno sužalojimų priežastimi.

Išsaugokite visus įspėjimus ir visas saugos nuorodas, kad vėliau būtų galima jais pasinaudoti.

Žemiau pateiktuose įspėjimuose sąvoka „elektros prietaisais“ apibūdina elektros prietaisą maitinamą elektros energija iš elektros tinklo (maitinimo laidas) arba elektros prietaisą maitinamą akumuliatoriumi (belaids).

ĮSPĖJIMAS! Bendri įspėjimai dėl saugaus įrankio naudojimo.



Sauga darbo vietoje:

- Darbo vietoje turi būti švaru, tvarkinga bei geras apšvietimas.** *Netvarka bei netinkamas darbo vietos apšvietimas gali būti nelaimingų atsitikimų priežastimi.*
- Nenaudoti elektros prietaiso sprogiroje aplinkoje, kurioje yra degūs skysčiai, degios dujos arba dulkės.** *Elektros prietaiso darbo metu susidaro elektros kibirkštis, todėl gali užsidegti esantis aplinkoje garai.*
- Darbo vietoje negali būti vaikai bei pašaliniai.** *Dėmesio nukreipimas gali būti elektros prietaiso valdymo praradimo priežastimi.*

ĮSPĖJIMAS! Bendri įspėjimai dėl saugaus įrankio naudojimo.



Elektros sauga:

- Elektros prietaisų kištukai turi atitikti elektros lizdo tipui.** *Jokiu būdu negalima keisti kištuko. Jeigu elektros prietaisas turi įžeminimą, negalima naudoti ilgtinuko. Originalių kištukų bei lizdų naudojimas sumažina elektros smūgio riziką.*
- Venkite kūno kontakto su žemintais paviršiais, tokias kaip vamzdžiai, šildytuvai, centrinio šildymo radiatoriai bei šaldytuvais.** *Kontaktas su žemintais paviršiais didina elektros smūgio pavojų.*
- Saugokite prietaisą nuo lietaus ir drėgmės.** *Jeigu vanduo patenka į elektros prietaisą, padidėja elektros smūgio rizika.*
- Nenaudokite laidų ne pagal paskirtį.** *Neneškite įrenginio paėmę už laido, netraukite už jo norėdami išjungti kištuką iš elektros lizdo. Laidą klokite taip, kad jo neveltų karštis, jis neišsiseptų alyva ir jo nepažeistų aštrios detalės ar judančios prietaiso dalys. Pažeistas laidas gali tapti elektros smūgio priežastimi.*
- Jeigu elektros prietaisas yra naudojamas lauke, laido prailginimui naudokite tik specialiai tam skirtus prailgintuvus.** *Prailgintuvų skirtų darbui lauke naudojimas sumažina elektros smūgio riziką.*
- Jeigu negalima išvengti elektros prietaiso naudojimo**

drėgnoje aplinkoje, naudokite RCD įrenginį. *RCD įrenginio naudojimas sumažina elektros smūgio riziką.*



ĮSPĖJIMAS! Bendri įspėjimai dėl saugaus įrankio naudojimo.

Žmonių sauga:

- Prietaisu negali naudotis asmenys (tame tarpe vaikai) turintis fizinius, jutimo arba psichinius negalavimus, taip pat asmenys neturintis darbo patirties arba nesuipažinę su prietaisu, nebent toks darbas vyksta stebint specialistui arba pagal prietaiso naudojimo instrukciją, kuri buvo perduota asmeniui atsakingu už saugą.**
- Būkite atidūs, sutelkite dėmesį į tai, ką Jūs darote ir, dirbdami su elektros prietaisu, vadovaukitės sveiku protu.** *Nedirbkite su prietaisu, jei esate pavargę arba vartojote narkotikus, alkoholį ar medikamentus. Akimirksnio neatidumas naudojant prietaisą gali tapti rimtų sužalojimų priežastimi.*
- Dėvėkite tinkamą aprangą.** *Nesiokite apsauginius akinius. Apsauginės aprangos, tokios kaip dulkių kaukė, neslystantis apsauginiai batai, šalmas, asinės, naudojimas sumažina sužalojimų grėsmę.*
- Saugokitės, kad neįjungtumėte prietaiso atsitiktinai.** *Prieš įjungiant kištuką į elektros lizdą ir/arba prieš akumuliatoriaus įjungimą bei prieš paaimant arba pemešant prietaisą išitikinkite, kad prietaisas yra išjungtas. Prietaiso pemešimas su pirštu ant jungiklio arba prietaiso įjungimas į maitinimo tinklą gali tapti nelaimingo atsitikimo priežastimi.*
- Prieš įjungdami prietaisą pašalinkite raktus.** *Prietaiso besisukančioje dalyje esantis įrankis ar raktas gali tapti sužalojimų priežastimi.*
- Nepasilenkite pernelyg į priekį.** *Dirbdami atsistokite patikimai ir visada išlaikykite pusiausvyrą. Patikima stovėseną ir tinkama kūno laikysena leis geriau kontroliuoti prietaisą netikėtoje situacijoje.*
- Dėvėkite tinkamą aprangą.** *Nedėvėkite plačių drabužių ir papuosalų. Saugokite plaukus, drabužius ir pirštines nuo besisukančių prietaiso dalių. Laisvus drabužius, papuosalus bei ilgus plaukus gali įtraukti besisukančios prietaiso dalys.*
- Jeigu įrenginiai yra pritaikyti prijungimui prie dulkių nusiurbimo ir dulkių surinkėjo, išitikinkite, kad šie įrenginiai tinkamai prijungti ir panaudoti pagal paskirtį.** *Dulkių surinkėjų panaudojimas sumažina dulkių poveikio pasekmes.*



ĮSPĖJIMAS! Bendri įspėjimai dėl saugaus įrankio naudojimo.

Rūpestinga elektros prietaisų priežiūra ir naudojimas

- Neperkraukite prietaiso.** *Naudojamo prietaiso galingumas turi atitikti atliekamam darbui. Tinkamai parinktas elektros prietaisas leis atlikti darbą gerai ir saugiai.*
- Nenaudokite elektros prietaiso su sugedusiu jungikliu.** *Elektros prietaisas, kurio nebegalima įjungti ar išjungti, yra pavojingas ir jį reikia remontuoti.*

- c) Prieš reguliuodami prietaisą, keisdami darbo įrankius arba prieš sandėliavimą ištraukite kištuką iš elektros lizdo ir/arba atjunkite akumuliatorių. Ši saugumo priemonė apsaugos jus nuo netikėto prietaiso įsijungimo.
- d) Nenaudojamą prietaisą sandėliuokite vaikams ir nemokantiems juo naudotis arba nesupažinusiems su instrukcija asmenims neprieinamoje vietoje. Elektriniai įrankiai yra pavojingi, kai juos naudoja nepatyrę asmenys.
- e) Rūpestingai prižiūrėkite prietaisą. Patikrinkite, ar besisukančios prietaiso dalys tinkamai veikia ir niekur nekliūva, ar nėra sulūžusių ar šiaip pažeistų dalių, kurios įtakotų elektros prietaiso veikimą. Jeigu yra gedimai suremontuokite prietaisą. Daugelio nelaimingų atsitikimų priežastis yra blogai prižiūrimi elektros prietaisai.
- f) Pjovimo įrankiai turi būti aštrūs ir švarūs. Rūpestingai prižiūrėti elektros prietaisai su aštriais pjovimo įrankiais yra lengviau valdomi ir juos geriau kontroliuoti.
- g) Elektros prietaisą, papildomus įrankius, darbo įrankius ir t.t. naudokite tik pagal instrukciją, turėdami omeny darbo sąlygas bei atliekamo darbo būdį. Elektros prietaiso naudojimas ne pagal paskirtį gali sukelti pavojingas situacijas.
- h) Jeigu prietaisas nebuvo naudojamas ilgesnį laiką arba yra naudojamas žemos temperatūros sąlygose, įjunkite jį kelioms minutėms be apkrovos tam, kad tepalas tinkamai pasiskirstytų pavaros mechanizme.
- i) Elektros prietaisus valykite minkštu, drėgnu (ne šlapiu) skuduru ir muilu. Nenaudokite benzino, tirpiklių bei kitų priemonių galinčių pažeisti prietaisą.
- j) Elektros prietaisą laikykite/transportuokite tik po to, kai įsitikinsite, kad jo visos besisukančios dalys yra užblokuotos ir saugomos originaliomis, specialiai tam skirtomis detalėmis.
- k) Elektros prietaisą laikykite sausoje, apsaugotoje nuo dulkių bei drėgmės vietoje.
- l) Elektros prietaisą transportuokite originalioje pakuotėje, saugančioje nuo mechaninių pažeidimų.



ĮSPĖJIMAS! Bendri įspėjimai dėl saugaus įrankio naudojimo.

Remontas:

- a) Prietaisą turi remontuoti tik kvalifikuotas specialistas, naudojantis tik originalias atsarginias dalis. Tik tokiu atveju elektros prietaiso naudojimas bus saugus.



ĮSPĖJIMAS! KARŠTO ORO PŪSTUVAS, papildomi saugos reikalavimai –

Sauga darbo vietoje:

- a) Patalpa, kurioje atliekamas darbas, turi būti gerai vėdinama. Darbo metu susidaranti kenksmingos dujos ir garai gali būti pavojingos sveikatai.
- b) Nedirbkite su prietaisu netoli degių medžiagų arba užsiliepsnojančių dujų.
Aukšta įrankio temperatūra (pvz. dėl neatsargumo) gali sukelti gaisrą arba sproginimą! Atkreipkite dėmesį į tai, kad šiluma gali būti perduodama degioms medžiagoms, kurios yra Jūsų regėjimo lauke.
- c) Draudžiama nukreipti karšto oro srovę į žmones ar gyvūnus, bei į degias medžiagas.

Elektros sauga:

- a) Nesinaudokite prietaisu lietaus metu arba didelės drėgmės sąlygomis. Tai gali būti sužalojimo priežastimi, sukelia pavojų gyvybei bei elektros smūgio pavojų.
- b) Naudodami prietaisą lauke, naudokite srovės kontrolės relė (RCD). RCD naudojimas mažina elektros smūgio pavojus.
- c) Kiekvieną kartą prieš pradėdami dirbti su prietaisu patikrinkite jo maitinimo laidą ir kištuką. Jei pastebėjote gėdimą, nedelsdami kreipkitės į įgaliotą techninio aptarnavimo centrą (adresas yra nurodytas garantiniame lape). Darbas su pažeistu prietaisu sukelia pavojų sveikatai arba gyvybei. Niekada nebandykite atidaryti prietaiso.
- d) Nedėkite jokių daiktų į prietaiso tūtą. Galite sugadinti prietaisą ir sukelti elektros smūgį.
- e) Maitinimo laidas visada turi būti už prietaiso.
- f) Draudžiama nukreipti karšto oro srovę į maitinimo laidą ir liesti maitinimo laido karštą tūtą. Tai gali išlydyti elektros laido izoliaciją ir sukelti elektros smūgį.
- g) Nekelkite prietaiso už maitinimo laido bei nekabinkite prietaiso už jo.
- h) Draudžiama naudotis prietaisu, jeigu jo maitinimo laidas yra pažeistas. Jeigu laidas yra pažeistas, jokių būdu neleskite jo; jeigu laidas yra pažeidžiamas darbo metu, iš karto ištraukite jo kištuką iš elektros lizdo. Pažeistas maitinimo laidas gali būti elektros smūgio priežastimi.



ĮSPĖJIMAS!

Jeigu sugedo elektros prietaiso laidas, jį pakeisti galima pas gamintoją, specializuotame remonto punkte arba gali tai atlikti specialistas tam, kad išvengtumėte pavojaus.

Žmonių sauga:

- a) Apdirbant plastiką, dažus, lakuotus paviršius ir panašias medžiagas gali susidaryti degios bei nuodingos dujos. Nesinaudokite prietaisu arti degių dujų arba kitų degių medžiagų.
- b) Naudokite apsauginę kaukę bei pasirūpinkite kitų asmenų, esančių darbo vietoje, saugumu.
- c) Nusidėginimo pavojus! Niekuoomet nelieskite karštos tūtos. Visada naudokite apsaugines pirštines.
- d) Netgi jei prietaisas įsijungtas, nežiūrėkite į tūtą.
- e) Darbo metu visada dėvėkite apsauginius akinius.
- f) Jokių būdu nenaudokite prietaiso plaukų džiovinimui! Prietaiso oro srovės temperatūra yra daug aukštesnė nei plaukų džiovintuvo.

Rūpestinga elektros prietaisų priežiūra ir naudojimas:

- a) Saugokite prietaisą nuo smūgių ir aštrių daiktų.
- b) Niekuoomet nepalikite įjungto prietaiso be priežiūros.
- c) Prieš pradėdami darbą visada patikrinkite prietaiso oro išėjimo ir įėjimo angas bei pašalinkite elementus, kurie galėtų stabdyti oro srovę.
- d) Nenukreipkite prietaiso į vieną vietą ilgą laiką.
- e) Nedeginkite dažų, nes tai gali sukelti gaisrą. Stebėkite, kad dažai nepriilptų prie tūtos, nes po tam tikro laiko gali užsidegti.
- f) Negalima uždengti prietaiso įėjimo/išėjimo angų bei tūtos,

nes tai gali būti temperatūros augimo priežastimi bei gali pažeisti prietaisą. Prietaiso tūta negali būti arčiau nei 5 cm nuo apdorojamo paviršiaus.

- g) Darbo metu ir iš karto po to, kai darbas baigiamas, nedėkite tūtos ant kokių nors daiktų. Negalima padėti tūtos ant šono. Prietaisą visada padėkite vertikaliaje padėtyje ant vielinio stovo (3).
- h) Pertraukų metu, kai prietaisas nenaudojamas, bei prieš pradėdamas prižiūrėti darbus (pvz. prižiūra, valymas, reguliavimas) ištraukite kištuką iš elektros lizdo.
- i) Užbaigus darbą padėkite prietaisą, jo tūta turi būti nukreipta į viršų. Prietaisą padėti galima tik po to, kai jo tūta atvėso. Niekada nelieskite tūtos iš karto po išjungimo, nes tai gali būti rimtų nudegimų priežastimi.
- j) Jokių būdu prietaisu negali naudotis vaikai.

KARŠTO ORO PŪSTUVO SANDARA IR PASKIRTIS:

Karšto oro pūstuvai tai rankinis elektrinis įrankis. Tai įrankis turintis nedidelius matmenis bei pasižymintis ergonomišku dizainu, žemu triukšmo lygiu, oro srovės dideliu greičiu bei turintis dviejų pakopų darbinės temperatūros reguliavimą.

Šis prietaisas skirtas šalinti dažams, formuoti ir suvirinti plastmases, kaitinti šilumos poveikyje susitraukiančius izoliacinius vamzdelius. Prietaisas taip pat gali būti naudojamas klijuotųjų sujungimų išskirimui bei užšalusių vandens vamzdžių atitirpinimui.

Draudžiama naudoti įrankį profesionaliems darbams atlikti.

Prietaiso naudojimas ne pagal paskirtį yra draudžiamas. Tokiu atveju prarandama garantija o gamintojas neatsako už patirtas dėl netinkamo prietaiso naudojimo žalias.

Bet kokios prietaiso modifikacijos padarytos naudotoju atleidžia gamintoją nuo atsakomybės už žalias patirtas tokiu atveju naudotoju bei aplinkiniams.

■ Komplektavimas

- Karšto oro pūstuvai - 1 vnt.
- Naudojimo instrukcija - 1 vnt.
- Garantijos lapas - 1 vnt.

■ Prietaiso elementai (žiūrėk: pieš. A):

Prietaiso dalių numeracija atitinka grafinėms piešiniams 2 puslapyje naudojimo instrukcijos:

1. Tūta
2. Tūtos gaubtas
3. Vielos stovas
4. Maitinimo laidas
5. Jungiklis / Darbo režimo jungiklis

TECHNINIAI DUOMENYS:

Nominalioji įtampa	230 V
Nominalusis dažnis	50 Hz
Sugerta galia (1/2)	1000 W / 2000W
Darbinė temperatūra (1/2)	450°C / 600°C
Oro srovės greitis (1/2), apie	350 l/min / 500 l/min
Įrangos klasė	II
Elektrinių prietaisų apsaugos klasės	IP20
Masė	1,0 kg

■ Informacija apie triukšmo klasę

Išmatuotos vertės atitinka EN 50 144 standartus.

Išmatuotas prietaiso garso slėgio lygis yra mažesnis nei 70 dB(A).

PRIEŠ NAUDOJIMĄ:

1. Patikrinkite, ar elektros tinklo įtampa atitinka prietaiso firminėje lentelėje nurodytą įtampą.
2. Pagrindinis jungiklis (5) trijų padėčių (0-išjungtas, 1-450°C, 2-600°C). Patikrinkite, ar pagrindinis jungiklis yra „išjungtas“ padėtyje. Situacijoje, kai kištukas yra elektros lizde, o pagrindinis jungiklis yra padėtyje „įjungtas“ gresia rimta avarija, nes prietaisas iš karto pradeda veikti.
3. Jei darbo vieta yra nutolusi nuo elektros lizdo, naudokite ilgutuvą, kurio laido skerspjūvis yra pritaikytas naudojamajai elektros srovei.

DARBO METU:

■ Įjungimas/išjungimas

• Norėdami įjungti prietaisą jungiklį/darbo režimo jungiklį (5) paspauskite ties 1 arba 2.

• Norėdami išjungti prietaisą jungiklį/darbo režimo jungiklį (5) paspauskite iki galo iki padėties „0“.

■ Temperatūros ir oro srovės reguliavimas

Jungiklį/darbo režimo jungiklį (5) galima nustatyti dvejose padėtyse.

Tinkama oro srovė bei temperatūra nustatoma pagal lentelę:

Darbo režimas 1	350 l/min - 450°C
Darbo režimas 2	500 l/min - 600°C

DĖMESIO: Perjungiant iš aukštesnės temperatūros iki žemesnės reikalingas tam tikras laikas, kad prietaisas atvėstų.

Rekomenduojama sumažinti oro srovę, kai:

- yra maža ruošinio aplinkos įkaitinimo galimybė;

- yra pavojus, kad oro srovė gali perstumti įkaitintą ruošinį.

Tūtos atstumas iki ruošinio turi būti parenkamas pagal medžiagos tipą, bet negali būti mažesnis nei 5 cm.

Tinkamiausią temperatūrą rekomenduojama parinkti atlikus bandymą. Todėl darbą būtina pradėti nuo žemesnės temperatūros.

■ Šiluminė apsauga

Kai kaitinimo elemento įkaitinimo laipsnis viršija leistiną lygį (pvz. kai yra ribota oro cirkuliacija), šiluminė apsauga įsijungia automatiškai, bet prietaisas veikia. Kai prietaisas pasiekia darbinę temperatūrą, kaitinimo elementas vėl įsijungia.

DARBO PATARIMAI:

DĖMESIO! Oro pūstuvai padėtyse darbo metu negali būti vertikali ruošinio paviršiaus atžvilgiu, nes karšto oro srautas „atsimuša“ nuo paviršiaus ir vėl yra įtraukiamas prietaisu. Tokiu atveju temperatūra prietaiso variklio viduje auga, o tai gali sukelti gedimą. Oro pūstuvą laikykite apie 45° kampu ruošinio paviršiaus atžvilgiu.

Prieš išjungdami oro pūstuvą, kelioms sekundėms būtina perjungti jį į mažesnės temperatūros režimą tam, kad atvėsinti prietaisą. Tai prailgina įrankio tarnavimo laiką.

■ Tūtos apsauginio gaubto nuėmimas

Atliekant darbą siaurose vietose galima nuimti tūtos apsauginį gaubtą (2).

DĒMĒSIO: Dirbant be apsauginio gaubto didėja nudegimų rizika. Būkite itin atidūs!

Tūtos gaubto nuėmimo arba uždėjimo metu prietaisas turi būti išjungtas ir šaltas.

Tūtos gaubtą (2) pasukite iki galo priešinga laikrodžio rodyklių kryptimi ir nuimkite jį arba uždėkite ir pasukite iki galo pagal laikrodžio rodyklę.

■ Prietaiso padėjimas

Norėdami atvėsinti prietaisą, ar kai darbo metu reikalingos abidvi rankos, prietaisą padėkite vertikaliaje padėtyje ant vielos stovo (3) lygiame paviršiuje (žiūrėk: pieš. B).

DĒMĒSIO: Būkite itin atsargūs atliekant darbus, kai prietaisas stovi stovė! Yra nudegimų pavojus.

PRIEŽIŪRA IR VALYMAS:

1. Prietaisas turi būti švarus tam, kad užtikrinti gerą oro cirkuliaciją.
2. Saugokite prietaisą nuo vandens, dulkių, bei kitų smulkių elementų, kurie galėtų patekti į vidų.
3. Plastikinio korpuso valymui nenaudokite cheminių valymo priemonių. Naudokite drėgną skudurėlį ir muilą. Prieš naudojimą prietaisas turi būti išdžiovinintas natūraliose sąlygose.

4. Reguliariai tikrinkite maitinimo laido būklę. Jei laidas pažeistas, būtina jį nedelsiant pakeisti.

5. Techninių problemų atveju susisiekite su techninio aptarnavimo centru.

GAMINTOJAS:

PROFIX Sp. z o.o.,
Marywilka 34,
03-228 Varšuva, Lenkija

APLINKOS APSAUGA:



DĒMĒSIO: Pateiktas simbolis reiškia, kad panaudotus prietaisus draudžiama išmesti kartu su kitomis atliekomis (už pažeidimų gresia piniginė bauda). Panaudoti elektros prietaisai bei elektroninės dalis ir komponentai turi neigiamą poveikį aplinkai ir žmonių sveikatai.

Namų ūkis turėtų prisidėti prie panaudotos įrangos utilizavimo bei pakartotino medžiagų panaudojimo (perdirbimo). Lenkijoje ir Europoje yra kuriama arba jau veikia panaudotos įrangos surinkimo sistema. Todėl visi paminėtos įrangos pardavimo taškai yra įpareigoti priimti panaudotą įrangą. Be to yra specialūs panaudotos įrangos priėmimo taškai.



PROFIX įmonė siekia tobulinti savo produktus, todėl gali keistis produktų specifikacijos. Apie šiuos pasikeitimus įmonė nėra įpareigota nepranešti. Paveikslėliai esantis aptarnavimo instrukcijoje tai tik pavyzdžiai bei gali skirtis nuo nusipirkto prietaiso.

Ši instrukcija yra apsaugojama autoriaus teise. Kopijavimas/plėtojimas be PROFIX Sp. z o.o. leidimo raštu draudžiamas.

(EN) EC/EU DECLARATION OF CONFORMITY
(PL) DEKLARACJA ZGODNOŚCI WE/UE
(RO) DECLARAȚIE DE CONFORMITATE CE/UE

(LV) EK/ES ATBILSTĪBAS DEKLARĀCIJA
(LT) EB/ES ATITIKTIES DEKLARACIJA
(CS) ES/EU PROHLÁŠENÍ O SHODĚ

(HU) EK/EU-MEGFELELŐSÉGI NYILATKOZATA

(EN)
MANUFACTURER

(PL)
PRODUCENT

(RO)
PRODUCĂTOR

(LV)
RAŽOTĀJS

(LT)
GAMINTOJAS

(CS)
VÝROBCE

(HU)
GYÁRTÓ

PROFIX Sp. z o.o. ul. Marywińska 34, 03-228 Warszawa

(EN) Object of the declaration:
(PL) Przedmiot deklaracji:
(RO) Obiectul declarației:
(LV) Deklarācijas priekšmets:

(LT) Deklaracijos objektas:
(CS) Předmět prohlášení:
(HU) A nyilatkozat tárgya:

(EN) Hot Air Gun (PL) Dmuchawa grzejna (Opalarka) (RO) Pistol cu aer cald (LV) Karstā gaisa plūsmas ģenerators (LT) Karšto oro pūstuvus (CS) Opalovací (požehovací) pistole (HU) Forrólevegős pisztoly

VULCAN VML20068

PLD2020A

230 V; 2000 W; 50 Hz; kl. II

S2026 -...- S2439

(EN) The object of the declaration described above is in conformity with the relevant Union harmonisation legislation: (PL) Wymieniony powyżej przedmiot niniejszej deklaracji jest zgodny z odpowiednimi wymaganiami unijnego prawodawstwa harmonizacyjnego: (RO) Obiectul declarației descris mai sus este în conformitate cu legislația relevantă de armonizare a Uniunii: (LV) Iepriekš aprakstītais deklarācijas priekšmets atbilst attiecīgajam Savienības saskaņošanas tiesību aktam (LT) Pirmiau aprašytas deklaracijos objektas atitinka susijusius derinamuosius Sąjungos teisės aktus: (CS) Výše popsaný předmět prohlášení je ve shodě s příslušnými harmonizačními právními předpisy Unie: (HU) A fent ismertetett nyilatkozat tárgya megfelel a vonatkozó uniós harmonizációs jogszabálynak:

(EN) 2014/35/EU (OJ L 96, 29.3.2014, p. 357–374); 2014/30/EU (OJ L 96, 29.3.2014, p. 79–106); 2011/65/EU of the European Parliament and of the Council of 8 June 2011 on the restriction of the use of certain hazardous substances in electrical and electronic equipment (OJ L 174, 1.7.2011, p. 88–110) change 2015/863/UE;
(PL) 2014/35/UE (Dz.U. L 96 z 29.3.2014, str. 357–374); 2014/30/UE (Dz.U. L 96 z 29.3.2014, str. 79–106); 2011/65/UE z dnia 8 czerwca 2011 r. w sprawie ograniczenia stosowania niektórych niebezpiecznych substancji w sprzęcie elektrycznym i elektronicznym (Dz.U. L 174 z 1.7.2011, str. 88–110), zmiana 2015/863/UE;
(RO) 2014/35/UE (JO L 96, 29.3.2014, p. 357-374); 2014/30/UE (JO L 96, 29.3.2014, p. 79-106); 2011/65/UE a Parlamentului European și a Consiliului din 8 iunie 2011 privind restricțiile de utilizare a anumitor substanțe periculoase în echipamentele electrice și electronice (JO L 174, 1.7.2011, p. 88-110) schimbare 2015/863/UE;
(LV) 2014/35/ES (OV L 96, 29.3.2014., 357./374. lpp.); 2014/30/ES (OV L 96, 29.3.2014., 79./106. lpp.); 2011/65/ES (2011. gada 8. jūnijs) par dažu bīstamu vielu izmantošanas ierobežošanu elektriskās un elektroniskās iekārtās (OV L 174, 1.7.2011., 88./110. lpp.) maiņa 2015/863/UE;
(LT) 2014/35/ES (OL L 96, 2014 3 29, p. 357–374); 2014/30/ES (OL L 96, 2014 3 29, p. 79–106); 2011/65/ES 2011 m. birželio 8 d. dėl tam tikrų pavojingų medžiagų naudojimo elektros ir elektroninėje įrangoje apribojimo (OL L 174, 2011 7 1, p. 88–110); pakeičiantis 2015/863/UE;
(CS) 2014/35/EU (Úř. věst. L 96, 29.3.2014, s. 357–374); 2014/30/EU (Úř. věst. L 96, 29.3.2014, s. 79–106); 2011/65/EU ze dne 8. června 2011 o omezení používání některých nebezpečných látek v elektrických a elektronických zařízeních (Úř. věst. L 174, 1.7.2011, s. 88–110) změna 2015/863/UE;
(HU) 2014/35/EU (HL L 96., 2014.3.29., 357–374. o.); 2014/30/EU (HL L 96., 2014.3.29., 79–106. o.); 2011/65/EK irányelve (2011. június 8.) egyes veszélyes anyagok elektromos és elektronikus berendezésekben való alkalmazásának korlátozásáról (HL L 174., 2011.7.1., 88–110. o.) változás 2015/863/UE;

(EN) and have been manufactured in accordance with the standards:
(PL) oraz został(y) wyprodukowany(e) zgodnie z norma(ami):
(RO) și au fost produse conform normelor:
(LV) un tika izgatavoti atbilstoši normām:

(LT) bei yra pagamintas pagal normas:
(CS) a byla(y) vyrobena(y) podle normy(em):
(HU) és gyártása(uk) az alábbi szabvány(ok)nak megfelelően történt:

EN 60335-1:2012+A11:2014+A13:2017+A1:2019+A14:2019+A2:2019 EN 60335-2-45:2002+A1:2008+A2:2012 EN 62233:2008
EN 55014-1:2017 EN 55014-2:2015 EN IEC 61000-3-2:2019 EN 61000-3-3:2013
IEC 62321-3-1:2013 IEC 62321-5:2013 IEC 62321-4:2013 IEC 62321-7-2:2017 IEC 62321-7-1:2015 IEC 62321-6:2015 IEC 62321-8:2017

Mariusz Rotuski

Pénomocnik Zarządu ds. Certyfikacji
Representative of the Board for Certification

(EN) This declaration of conformity is issued under the sole responsibility of the manufacturer. (PL) Niniejsza deklaracja zgodności wydana zostaje na wyłączną odpowiedzialność producenta. (RO) Prezenta declarație de conformitate este emisă pe răspunderea exclusivă a producătorului. (LV) Šī atbilstības deklarācija ir izdota vienīgi uz šāda ražotāja atbildību. (LT) Ši atitikties deklaracija išduota tik gamintojo atsakomybe. (CS) Toto prohlášení o shodě vydal na vlastní odpovědnost výrobce. (HU) E megfelelőségéről nyilatkozat a gyártó kizárólagos felelősségére kerül kibocsátásra.